

TEMPA PANO

Enclosures engineered...

“your reliable
solution partner,”





HEAD OFFICE / FACTORY
Makine İhtisas Organize Sanayi Bölgesi 2.Cadde No:1
Demirciler Mahallesi 41455 Dilovası / Kocaeli - TÜRKİYE
Tel : +90 262 642 63 40 Fax : +90 262 642 63 48 / 49
e-mail : sales@tempa.com.tr / satis@tempapano.com

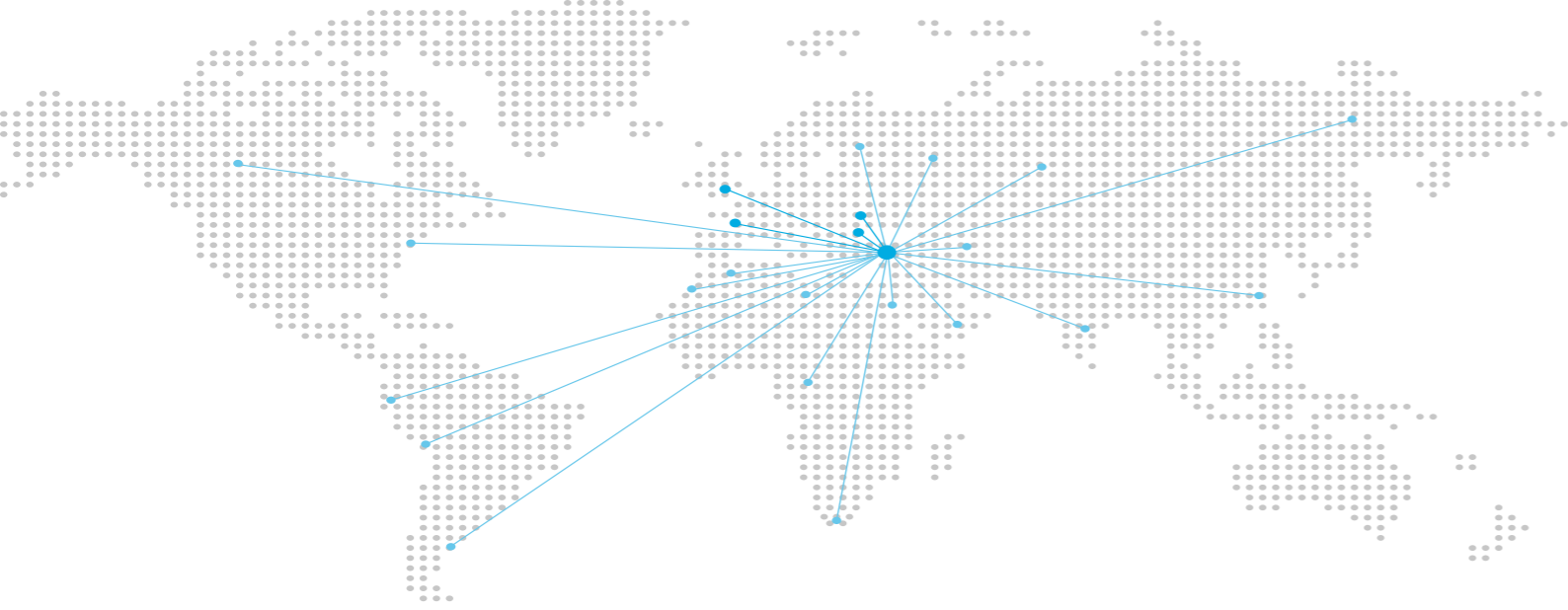
TEMPA PANO UK
Unit 5, Tempa Pano House Center 21 Industrial Estate,
Bridge Lane Woolston Warrington, WA1 4AW / UNITED KINGDOM
Tel : +44 (0) 1925 811 290 Fax : +44 (0) 1925 810 386
e-mail : sales@tempapano.co.uk

TEMPA FRANCE SAS
36, rue de l'industrie ZI La Tuilerie, 01540 VONNAS / FRANCE
Tel : +33 4 74 42 57 21 Fax : +33 4 74 30 40 75
e-mail : contact@tempafrance.fr

R.T.S ELECTRO SRL
11 Petru, Rares Street RO-011101, BUCHAREST 1 / ROMANIA
Tel : +40 21 260 1021 Tel : +40 21 260 1022 Fax : +40 21 222 3097
e-mail : office@rtselectro.ro

TEMPA SISTEM BG
Bulgaria/ Plovdiv, 4018 Kuklensko shose 9
Tel: +359 32 901760 Fax : +359 32 901777
e-mail : office@tempabg.com





“Tempa Pano has been manufacturing Low Voltage Electrical Enclosures” since 1989. During this time the company has consolidated its position as a market leader in the industry. To cement that position a substantial investment has been made into a new 21,000m² production site in Dilovasi Industrial Machinery Site. The investment will provide a substantial increase in production capabilities with the use of advanced technology and experienced engineers. Tempa Pano take pride in being the first choice solutions partner to customers providing a wide range of products and services.”

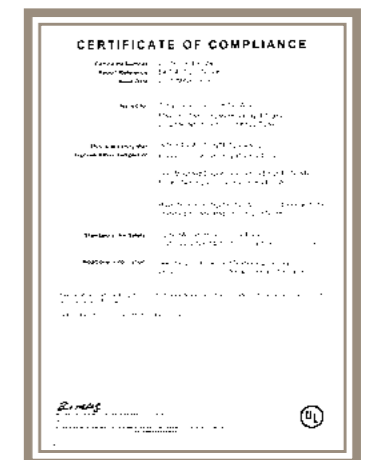


Corporate Values
We aim to always be the best in our area and strive to meet new heights.

Individual Initiative
To promote individual initiative within the company in a customer focused environment. Everybody's job is important to ensure a quality product and service to our customers.

Customer Focus
To provide a partnership to our customer base ensuring the correct product solutions and after sales service. To provide a flexible service to match all customer requirements.

Reliability
The company actively promotes mutual trust and honesty between employees, customers and shareholders striving to make the TEMPA PANO name synonymous with fairness and honesty.



WALL MOUNTED ENCLOSURES



JB
Junction Boxes
10-11



TB
Junction Boxes
12-13



BK/BKP
Junction Boxes
14-17



KB/KBP
Junction Boxes
18-21




EKO
General Purpose Enclosures
22-27



ETS
General Purpose Enclosures
28-33



EDT
Large Size Wall Mounted Enclosures
34-35



HDS
Painted Stainless Outdoor Enclosures
36-37



KDS
Distribution Switchboards
38-41



ESE
EMC Shielded Wall Mounted Enclosures
42-43

FLOOR STANDING ENCLOSURES



BSE
EMC Shielded Floor Standing Enclosures
44-45



AS
Modular Enclosures
46-51



BS
Modular Enclosures
52-57



GS
Grand Series Enclosures
58-59



MS
Modular Enclosures
60-61



CC
Double Walled Outdoor Enclosures
62-63


STAINLESS STEEL ENCLOSURES



SSJB
Stainless Steel Junctions Boxes
64-65



SSKPA
Stainless Steel Operating Panels
66-67



SSETS
Stainless Steel Wall Mounted Enclosures
68-73



SSAS
Stainless Steel Floor Standing Enclosures
74-77

EX-PROOF ENCLOSURES



TES/TEX
Ex-Proof Enclosures
78-79

ELECTRONIC SYSTEM CABINETS



CR
19" Wall Mounted
Cabinets (Cool Rack)
80-81



PR
19" Wall Mounted
Cabinets (Prime Line)
82-83



MR
19" Wall Mounted
Cabinets
84-85



EC
19" Floor Standing
Cabinets
86-87



PEC
19" Floor Standing
Cabinets (Prime Line)
88-89



ER
19" Floor Standing
Cabinets (Eko Rack)
90-91



PDR
19" Data Rack
Cabinets (Prime Line)
92-93

OPERATING ENCLOSURES



PT
Operating Consoles
94-95



PTE
Operating Consoles
96-97



PY
Operating Desks
98-99



PC
PC Cabinets
100-101



PPC
PC Cabinets
(Prime Line)
102-103



KPA
Operating Panels
104-105



KSK
KIOSK
106



KMP
Operating Panels
107

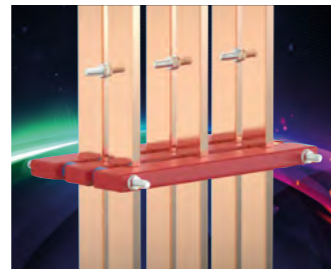


KPD
Operating Panels
107

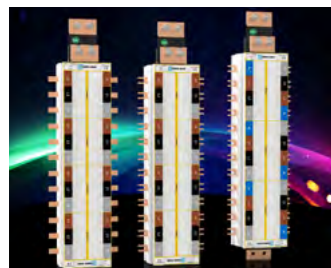
BUSBAR DISTRIBUTION SYSTEMS



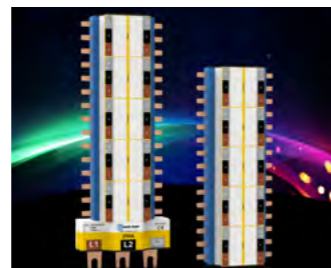
K-BAR
Channel Busbar
108-111



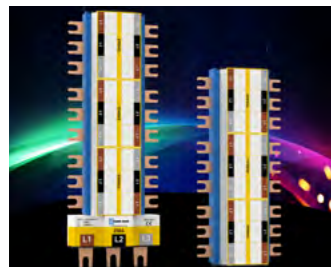
EASY-BAR
112-113



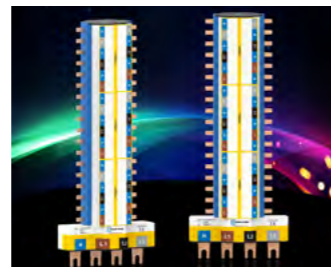
TT/TM
TEMBAR
Busbar Distribution
Systems
114-115



TT/TTS
TEMBAR
Busbar Distribution
Systems
116-117



TT/TTS
TEMBAR
Busbar Distribution
Systems (25mm)
118-119



TD
TEMBAR
Busbar Distribution
Systems
120-121



TM
TEMBAR
Busbar Distribution
Systems
122-123



TDK-A
Flush Mounted
TEMGARD
124-125



TDK-S
Wall Mounted
TEMGARD
126-127

AIR CONDITIONING SYSTEMS



TCY
700 / 900
Industrial
Cooling Systems
128-129



TCY
1500 / 2000
Industrial
Cooling Systems
130-131



FAN/FILTERS
Ventilation Systems
132



HEATERS
Heating and Humidity
Control
133

ENCLOSURE LIGHTING



LIGHTS
133

Characteristics

Material

- Sheet Steel (EN 10130 DC01)
- Body : 1.2 mm
- Lid : 1.2 mm

Surface Finishing

- RAL7035w powder coating

IP Rating

- IP55 (TS 3033, EN 60529)

Others

- Fully welded construction
- Screwed plain lid
- One piece EPDM lid gasket
- Ready for DIN rail fixing



On Request

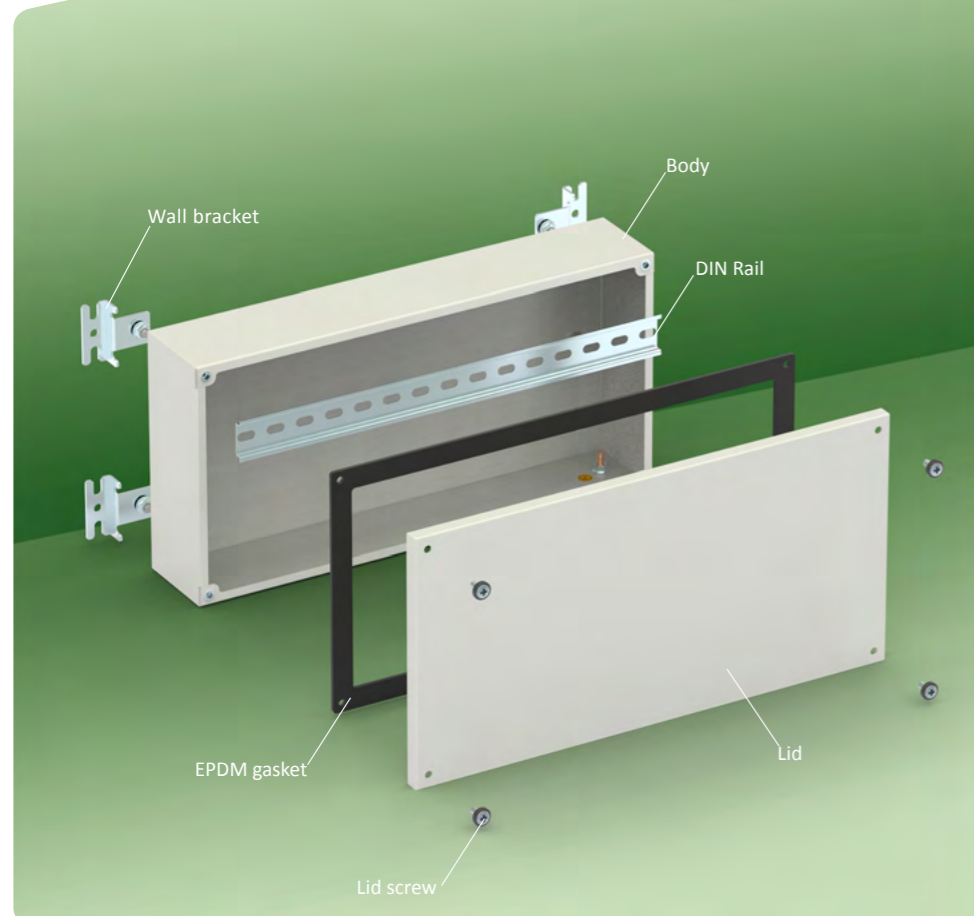
- Special sizes
- Special colour
- Pre-punching

Supply Includes

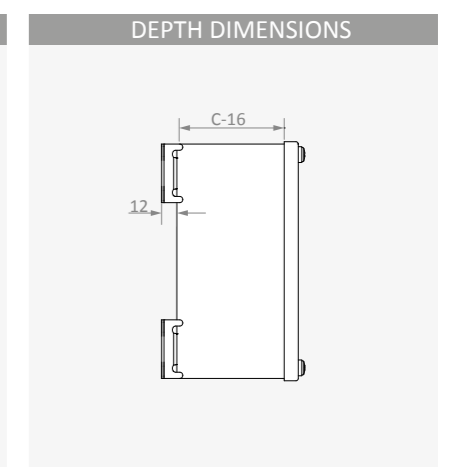
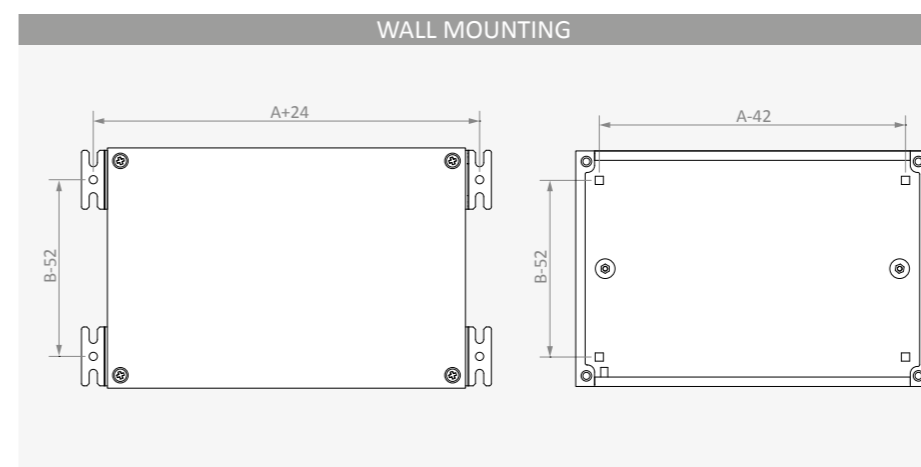
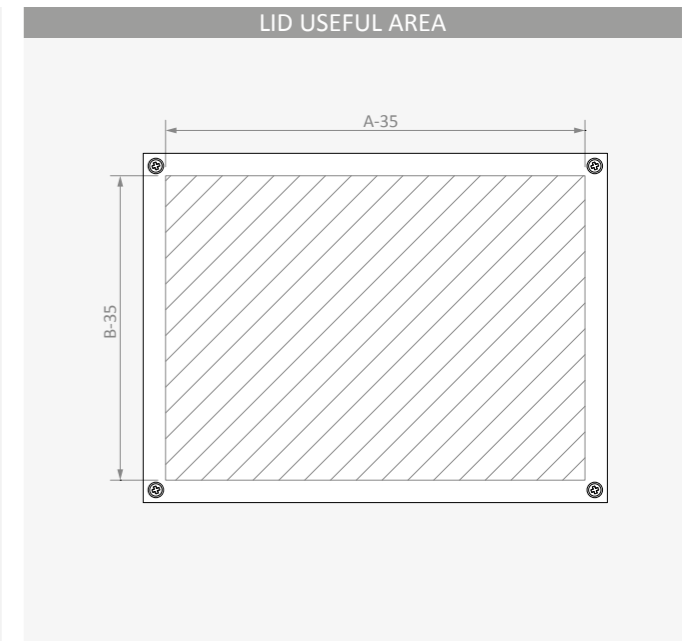
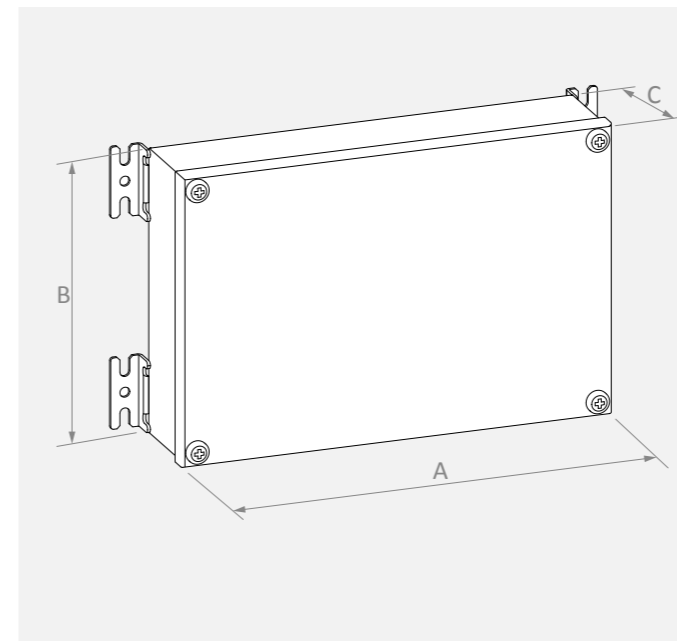
- Body
- Lid
- Lid gasket
- Lid screws

Complementary Accessories

- DIN rail
- Wall bracket
- Earthing cable

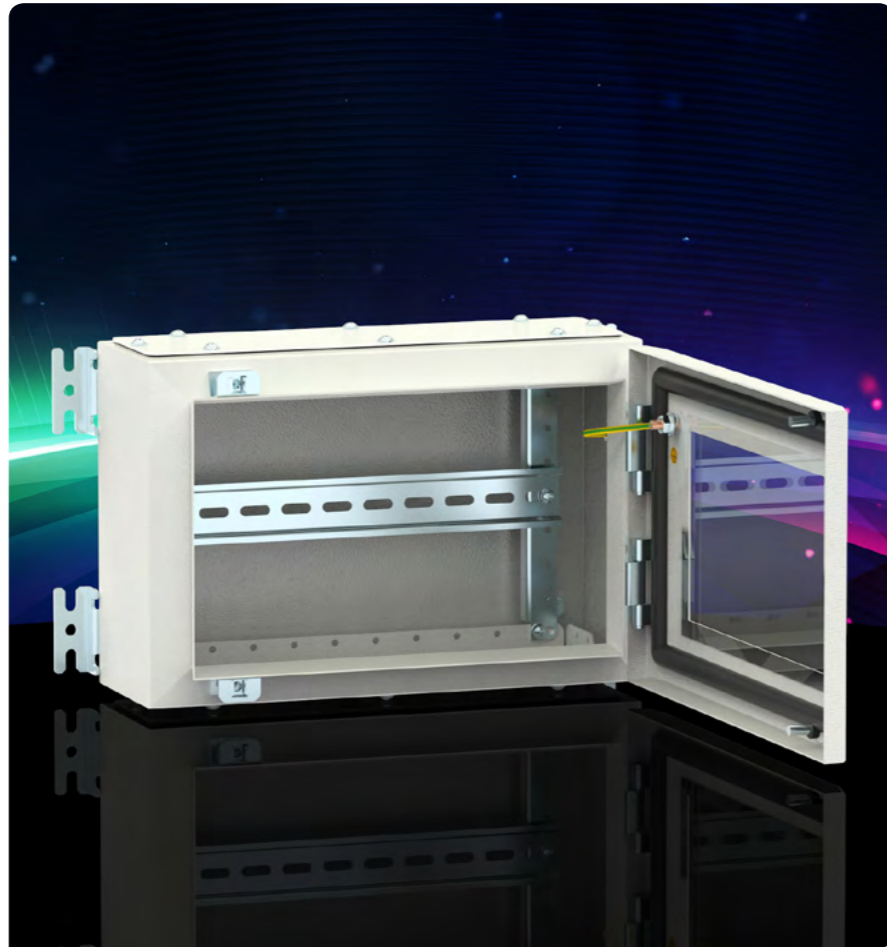


Width	Height	Depth	Reference	Useful Area			Wall Mounting				DIN Rail Fixing	Weight
				Lid	Side	With Bracket	Internal					
A	B	C		↔ mm	↕ mm	↗ mm	↔ mm	↕ mm	↔ mm	↕ mm	↔ mm	kg
80	160	60	JB 081606	45	125	44	---	184	---	118	30	0.6
100	100	60	JB 101006	65	65	44	---	124	---	58	50	0.6
120	120	60	JB 121206	85	85	44	---	144	78	68	70	0.7
150	150	60	JB 151506	115	115	44	174	98	108	98	100	0.9
160	160	80	JB 161608	125	125	64	184	108	118	108	110	1.4
200	200	80	JB 202008	165	165	64	224	148	158	148	150	1.9
300	200	100	JB 302010	265	165	84	324	148	258	148	250	2.4
	300	100	JB 303010	265	265	84	324	248	258	248	2 x 250	3.2
400	200	100	JB 402010	365	165	84	424	148	358	148	350	2.8
	300	100	JB 403010	365	265	84	424	248	358	248	2 x 350	4.0
	400	100	JB 404010	365	365	84	424	348	358	348	2 x 350	5.0



Characteristics

- Material**
 Sheet Steel (EN 10130 DC01)
 ■ Body : 1.2 mm
 ■ Door : 1.2 mm
- Surface Finishing**
 ■ RAL7035w powder coating
- IP Rating**
 ■ IP55 (TS 3033, EN 60529)
- Others**
 ■ Fully welded construction
 ■ Glazed door fixed with two screws
 ■ Foamed-in door PU sealing gasket
 ■ 155° concealed hinges
 ■ Top and bottom gland plates
 ■ One piece PE gasket for gland plate
 ■ Ready for DIN rail fixing



On Request

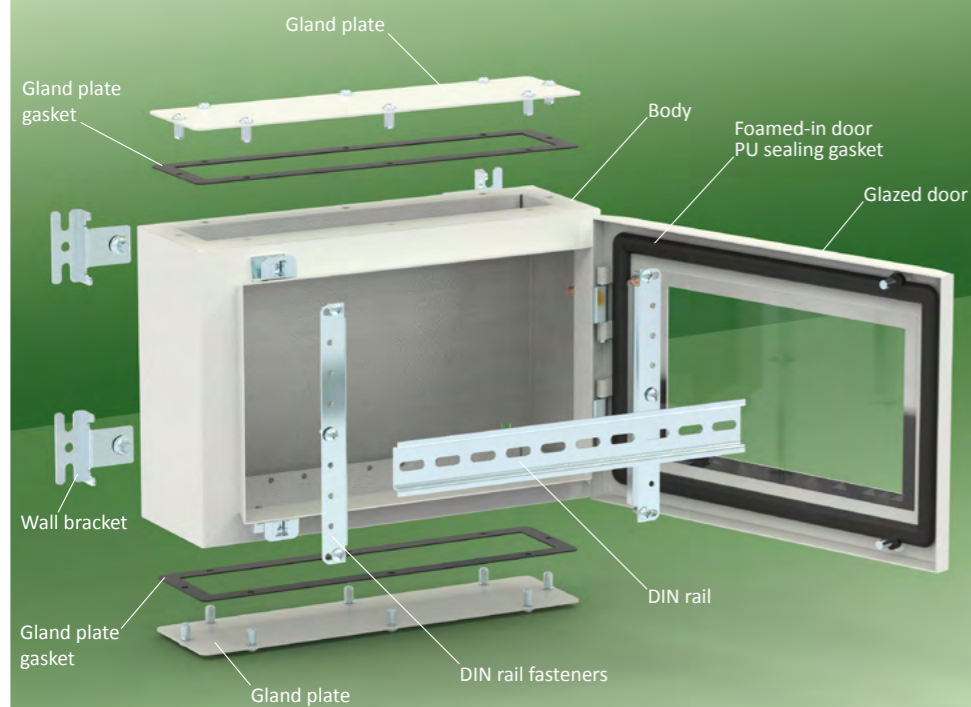
- Special sizes
- Solid door
- Special colour
- Special mounting plate
- Pre-punching

Supply Includes

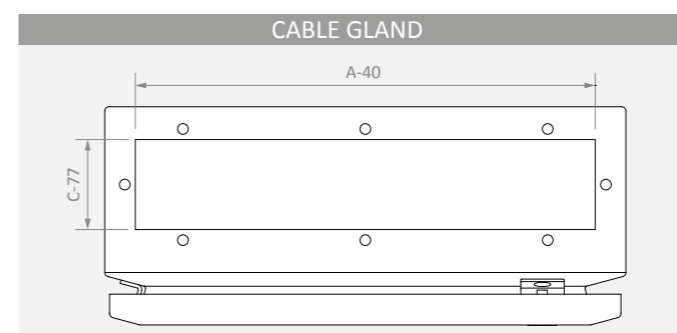
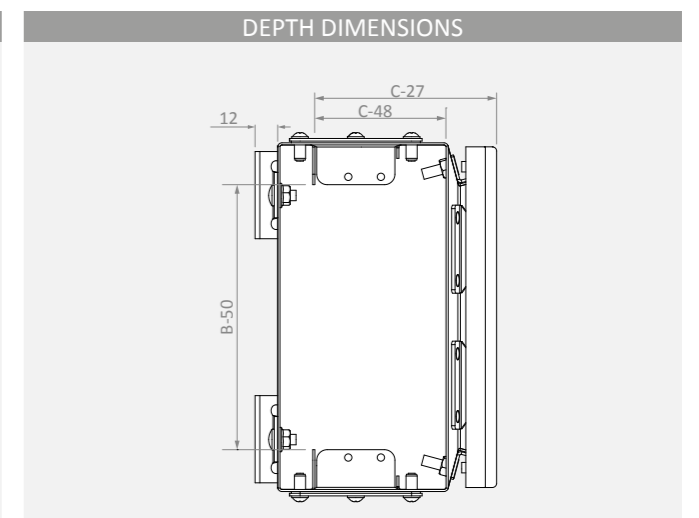
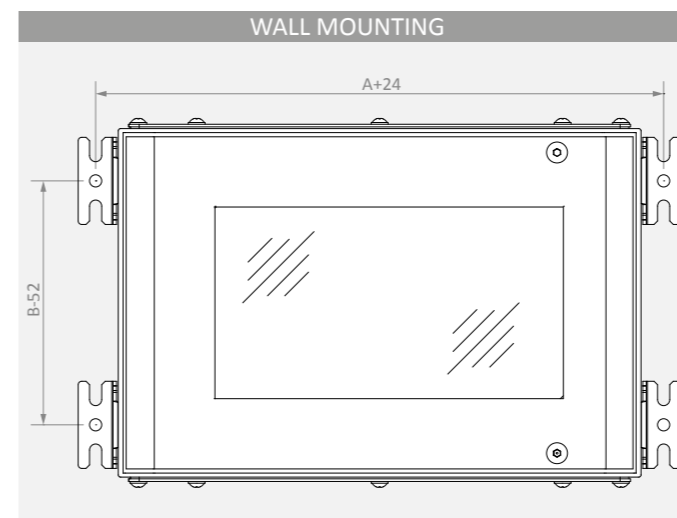
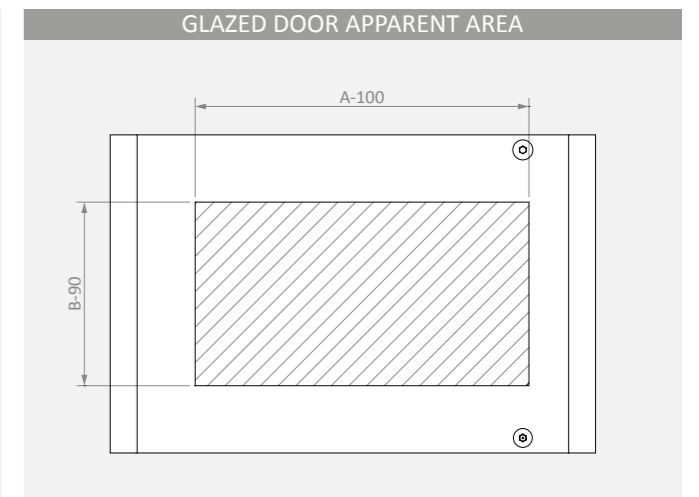
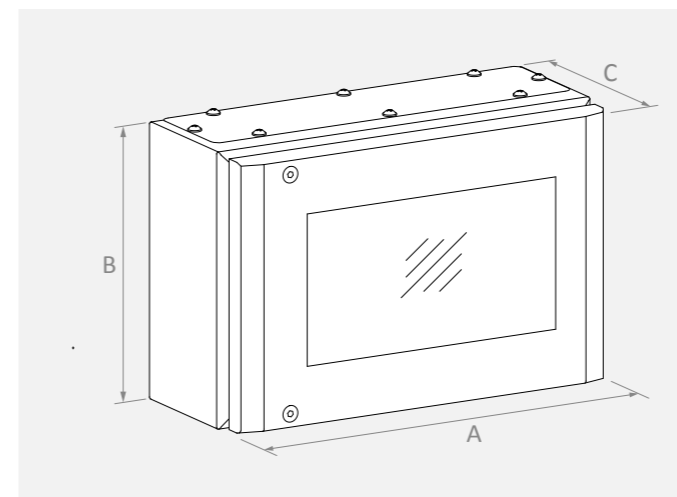
- Body
- Glazed door
- 2 pcs DIN rail fasteners
- 2 pcs gland plates with gasket

Complementary Accessories

- DIN rail
- Earthing cable
- 4 pcs wall brackets



Width A	Height B	Depth C	Reference	Useful Area Side		Apparent Area		Cable Gland			Wall Mounting		DIN Rail Fixing	Weight kg
				↕ mm	↗ mm	↔ mm	↕ mm	# ad	↔ mm	↗ mm	↔ mm	↕ mm	↔ mm	
300	200	125	TB 302012	150	77	200	110	2	260	48	324	148	225	3.6
	300	125	TB 303012	250	77	200	210	2	260	48	324	248	2 x 225	4.6
400	200	125	TB 402012	150	77	300	110	2	360	48	424	148	325	4.5
	300	150	TB 403015	250	102	300	210	2	360	73	424	248	2 x 325	6.0
	400	150	TB 404015	350	102	300	310	2	360	73	424	348	2 x 325	7.5



Characteristics

Material

- Sheet Steel (EN 10130 DC01)
 - Body : 1.2 mm
 - Lid : 1.2 mm
- Galvanized Steel (EN 10346 DX51D+Z)
 - Mounting plate : 1.5 mm

Surface Finishing

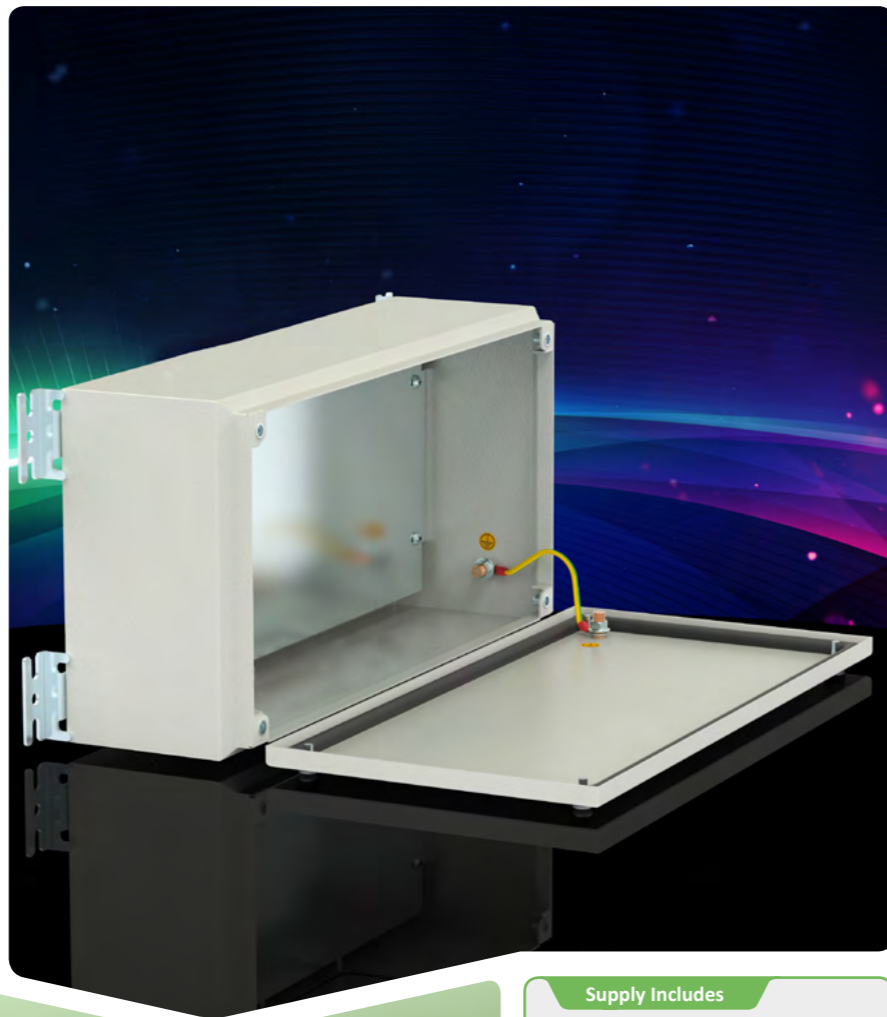
- RAL7035w powder coating

IP Rating

- BK IP66 (TS 3033, EN 60529)

Others

- Fully welded construction
- Screwed plain lid
- Foamed-in lid PU sealing gasket
- Ready for DIN rail fixing



On Request

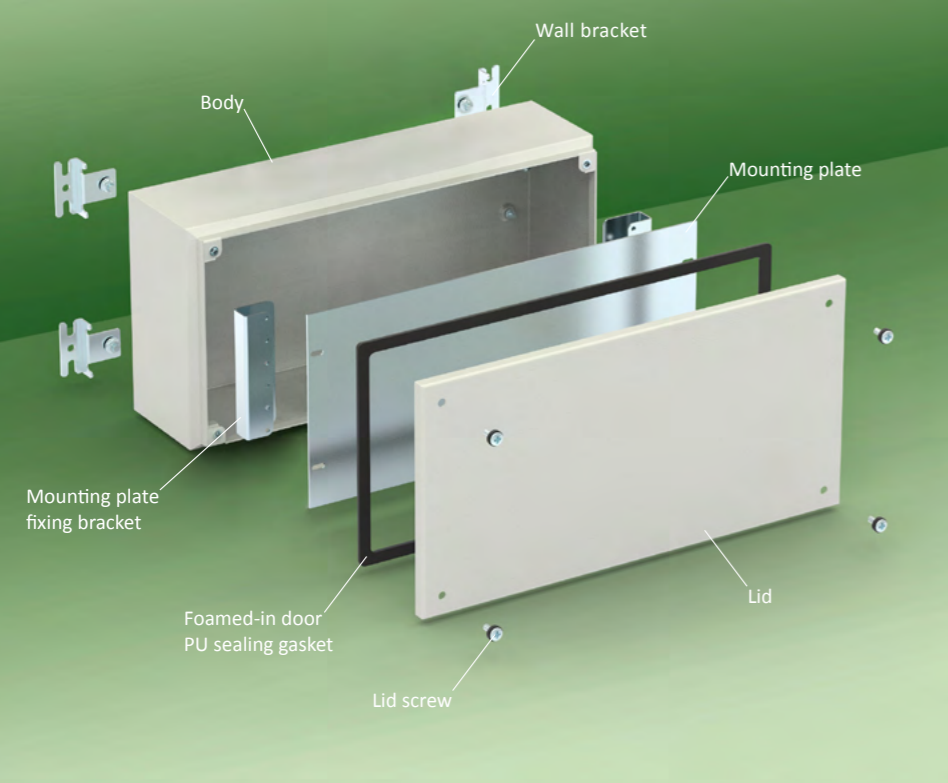
- Special sizes
- Special colour
- Pre-punching
- Glazed lid

Supply Includes

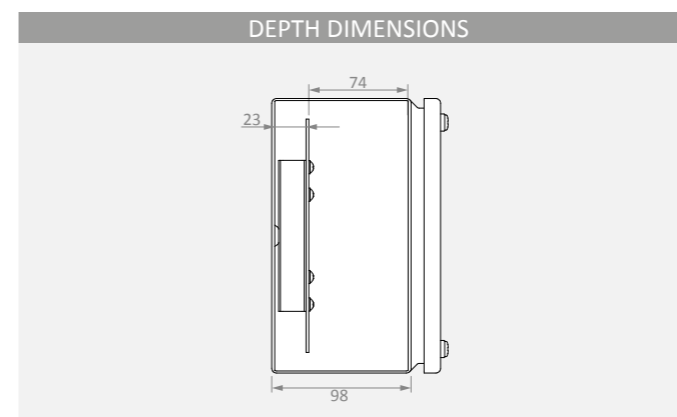
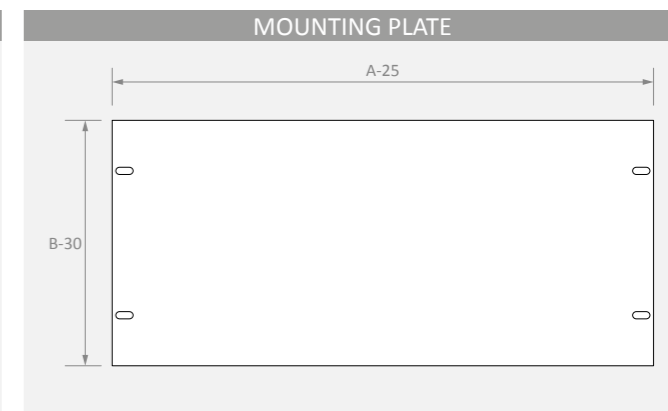
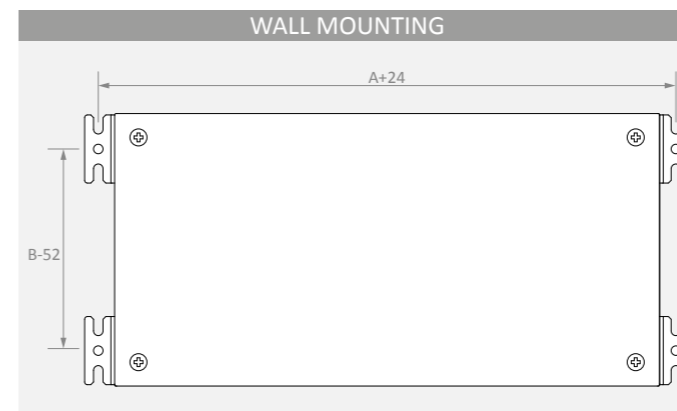
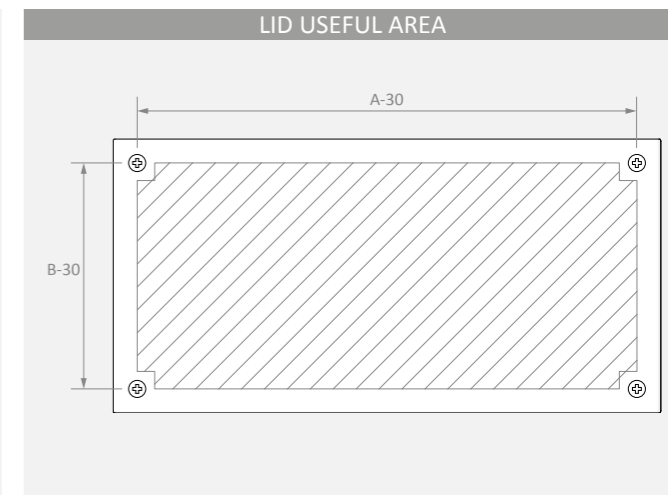
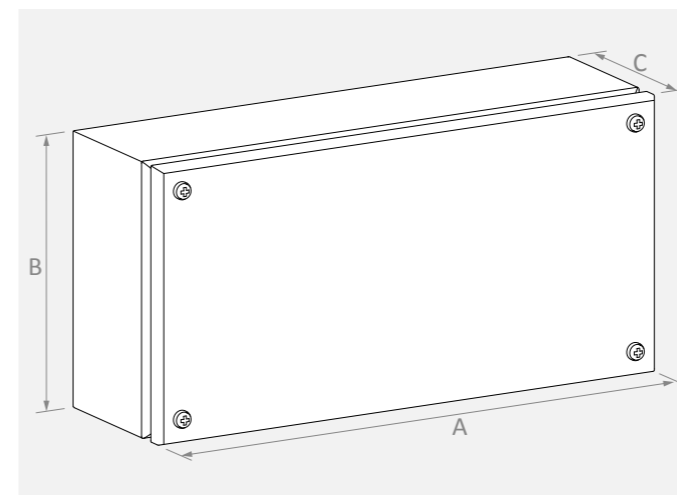
- Body
- Lid
- Lid screws

Complementary Accessories

- DIN rail
- Mounting plate
- Mounting plate and DIN rail fasteners
- Earthing cable
- 4 pcs wall brackets



Width A	Height B	Depth C	Reference	Useful Area			Wall Mounting		DIN Rail Fixing	Mounting Plate		Weight kg
				Lid	Side	↔ mm	↕ mm	↔ mm	↕ mm			
150	150	120	BK 151512	↔ 120	↕ 120					↗ 98	↔ 174	↕ 98
200	200	120	BK 202012	↔ 170	↕ 170	↗ 98	↔ 224	↕ 148	↔ 150	↕ 175	↕ 170	2.5
300	200	120	BK 302012	↔ 270	↕ 170	↗ 98	↔ 324	↕ 148	↔ 250	↕ 275	↕ 170	3.3
	300	120	BK 303012	↔ 270	↕ 270	↗ 98	↔ 324	↕ 248	2 x 250	↕ 275	↕ 270	4.4
400	200	120	BK 402012	↔ 370	↕ 170	↗ 98	↔ 424	↕ 148	↔ 350	↕ 375	↕ 170	4.0
	300	120	BK 403012	↔ 370	↕ 270	↗ 98	↔ 424	↕ 248	2 x 350	↕ 375	↕ 270	5.4
	400	120	BK 404012	↔ 370	↕ 370	↗ 98	↔ 424	↕ 348	2 x 350	↕ 375	↕ 370	7.4



Characteristics

Material

- Sheet Steel (EN 10130 DC01)
 - Body : 1.2 mm
 - Lid : 1.2 mm
- Galvanized Steel (EN 10346 DX51D+Z)
 - Mounting plate : 1.5 mm

Surface Finishing

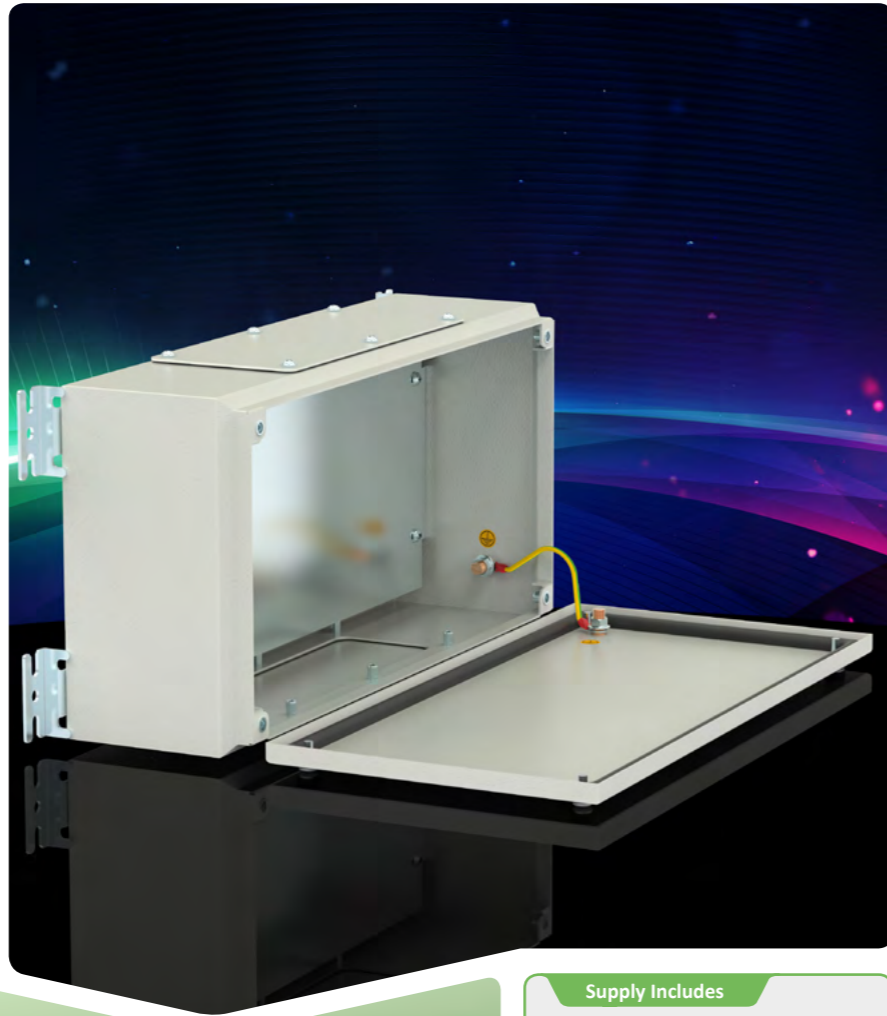
- RAL7035w powder coating

IP Rating

- BKP IP65 (TS 3033, EN 60529)

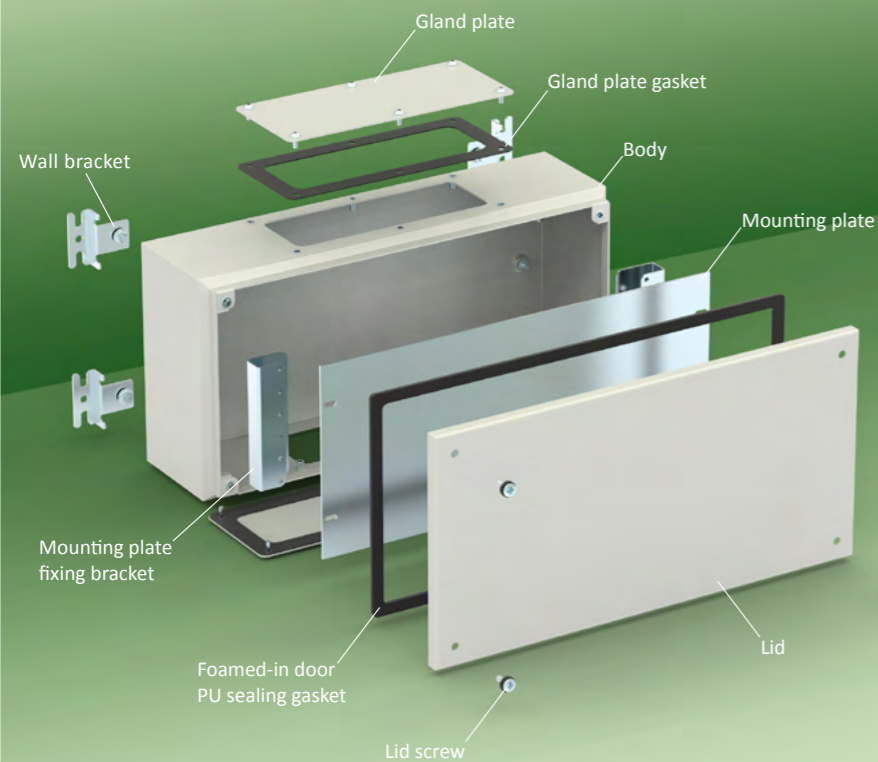
Others

- Fully welded construction
- Screwed plain lid
- Foamed-in lid PU sealing gasket
- Ready for DIN rail fixing
- Top and bottom gland plates
- One piece PE gasket for gland plate



On Request

- Special sizes
- Special colour
- Pre-punching
- Glazed lid



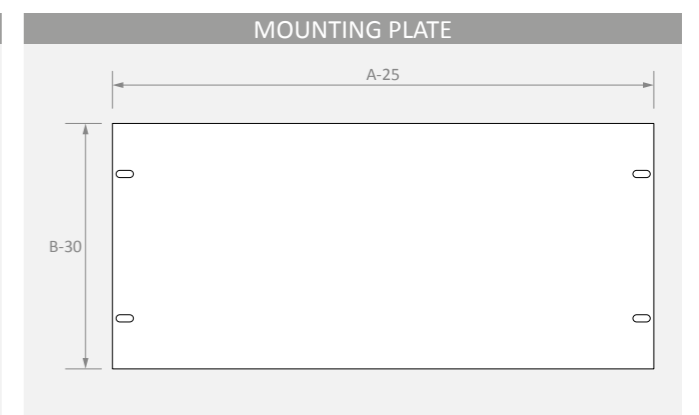
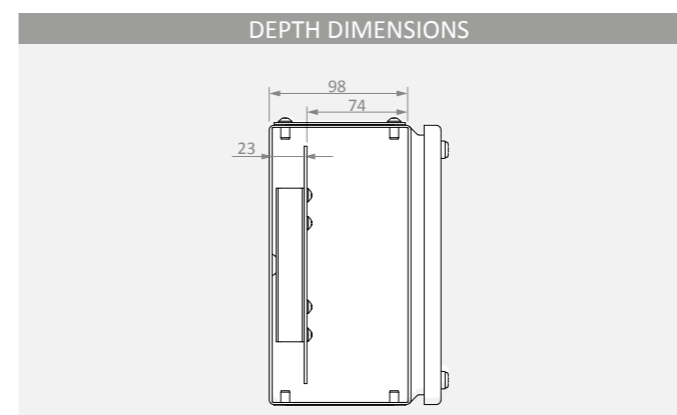
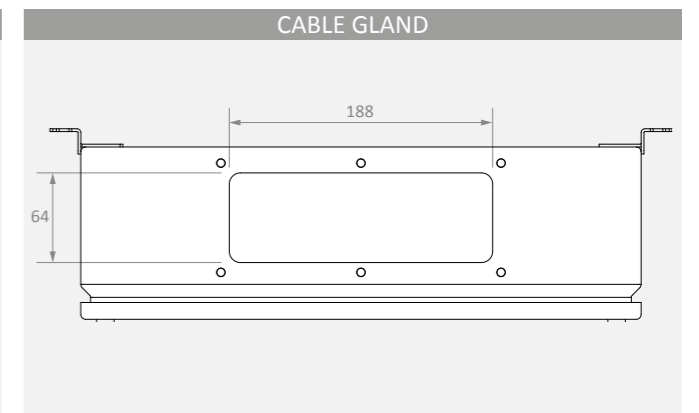
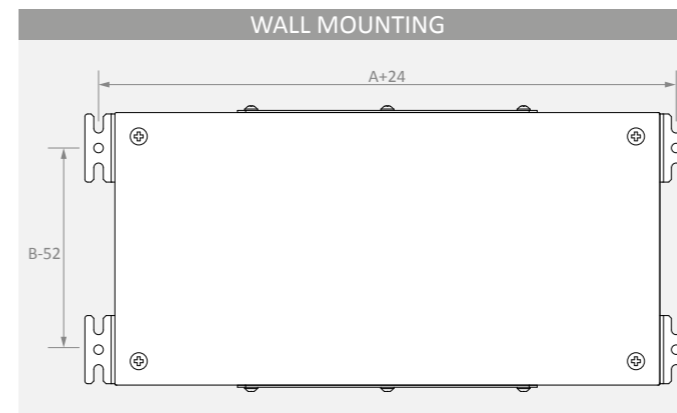
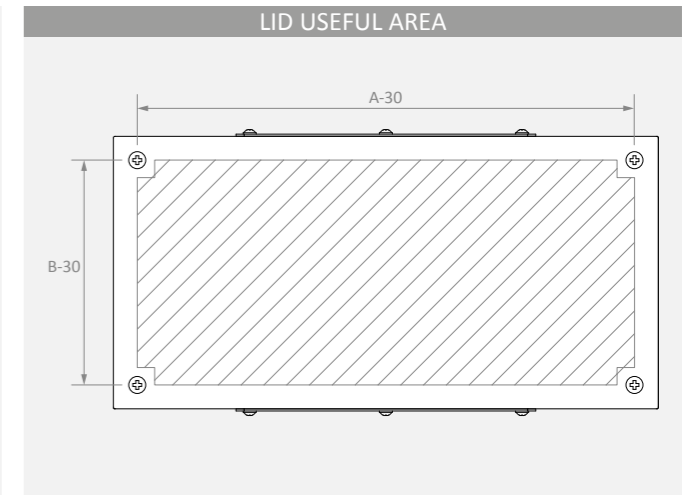
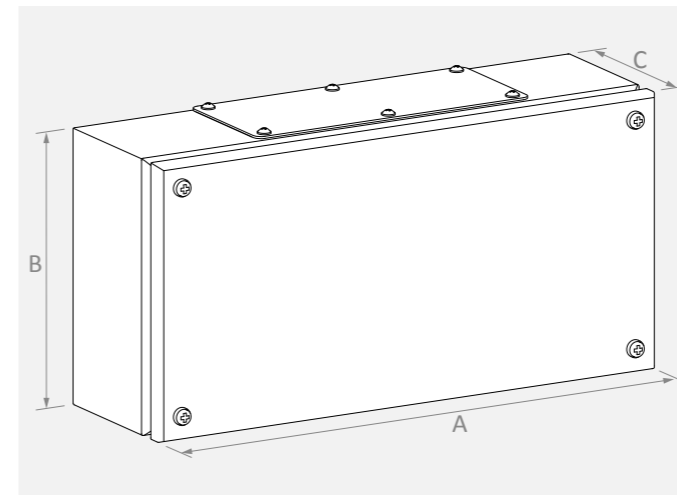
Supply Includes

- Body
- Lid
- Lid screws
- 2/4 pcs cable gland plate

Complementary Accessories

- DIN rail
- Mounting plate
- Mounting plate and DIN rail fasteners
- Earthing cable
- 4 pcs wall brackets

Width A	Height B	Depth C	Reference	Useful Area			Cable Gland			Wall Mounting		DIN Rail Fixing	Mounting Plate		Weight kg
				Lid	Side		#	↔	↗	↔	↕	↔	↔	↕	
mm	mm	mm		↔ mm	↕ mm	↗ mm	pcs	↔ mm	↗ mm	↔ mm	↕ mm	↔ mm	↔ mm	↕ mm	
300	200	120	BKP 302012	270	170	98	2	188	64	324	148	250	275	170	3.9
	300	120	BKP 303012	270	270	98	2	188	64	324	248	2 x 250	275	270	5.2
400	200	120	BKP 402012	370	170	98	2	188	64	424	148	350	375	170	4.8
	300	120	BKP 403012	370	270	98	2	188	64	424	248	2 x 350	375	270	6.2
	400	120	BKP 404012	370	370	98	2	188	64	424	348	2 x 350	375	370	7.5
600	300	120	BKP 603012	570	270	98	4	188	64	624	248	2 x 535	575	270	8.7
	400	120	BKP 604012	570	370	98	4	188	64	624	348	2 x 535	575	370	10.7



Characteristics

Material

- Sheet Steel (EN 10130 DC01)
 - Body : 1.2 mm
 - Lid : 1.2 mm
- Galvanized Steel (EN 10346 DX51D+Z)
 - Mounting plate : 1.5 mm

Surface Finishing

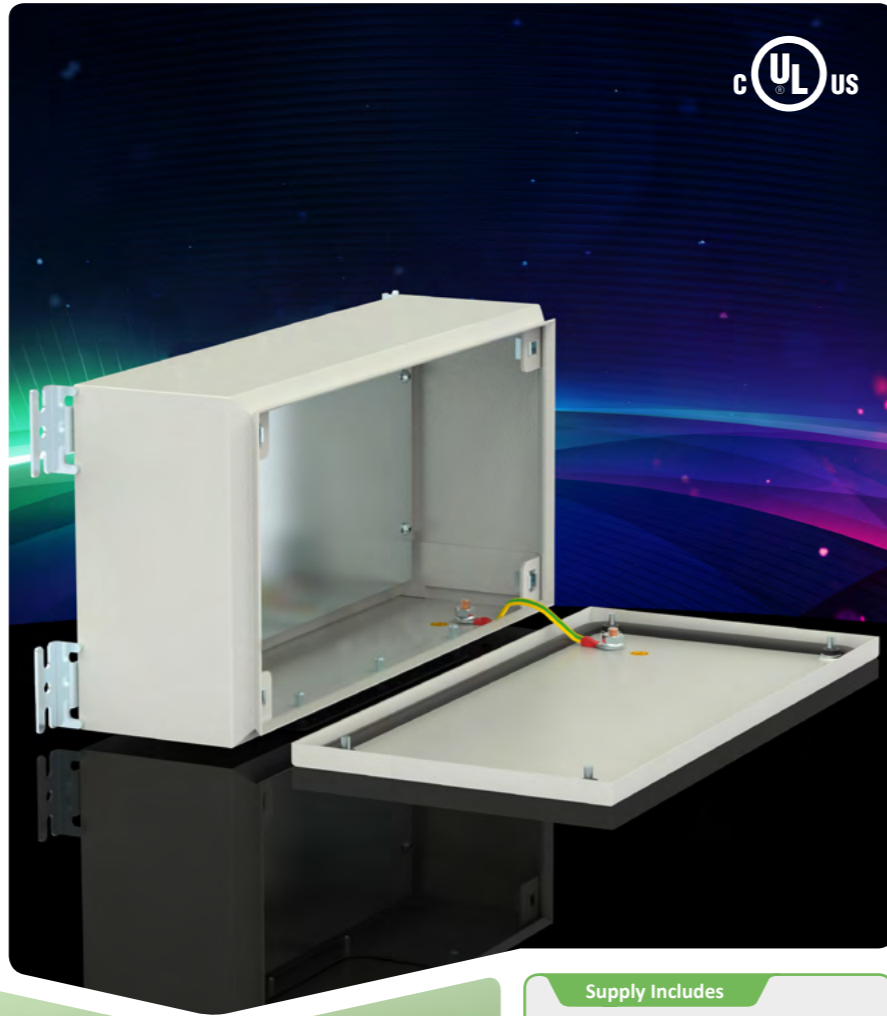
- RAL7035w powder coating

IP Rating

- KB IP66 (TS 3033, EN 60529)

Others

- Fully welded construction
- Screwed plain lid
- Foamed-in lid PU sealing gasket
- Ready for mounting plate and DIN rail fixing



On Request

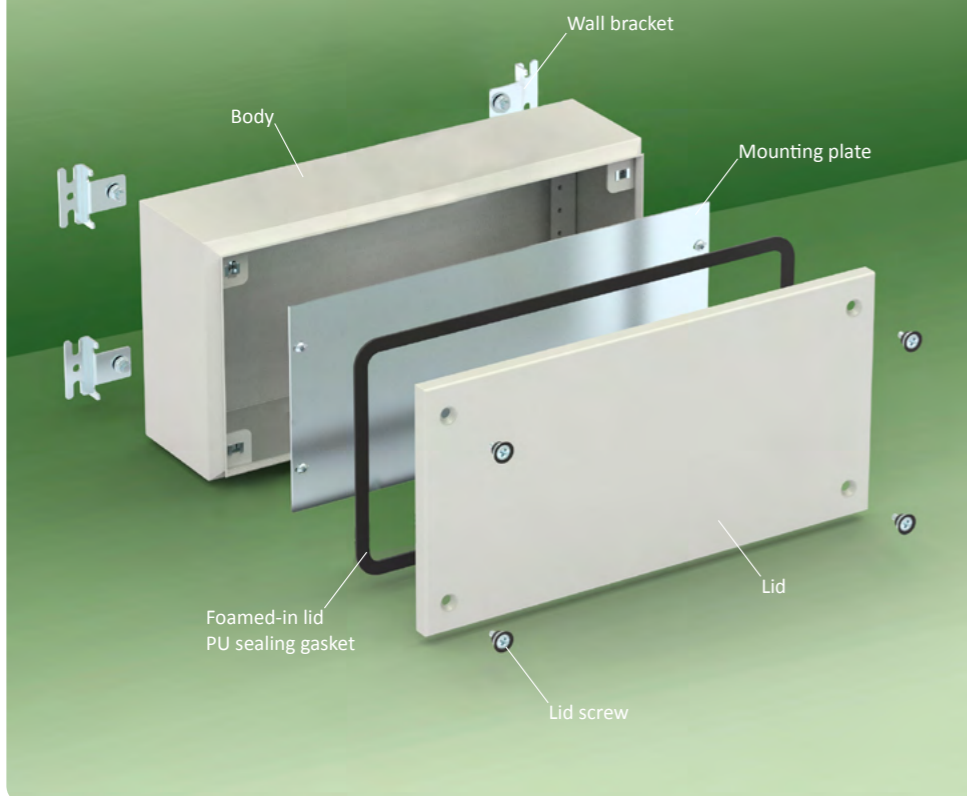
- Special sizes
- Special colour
- Pre-punching
- Glazed lid

Supply Includes

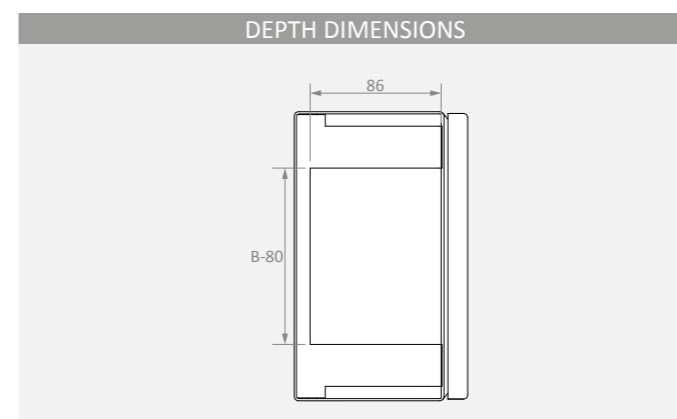
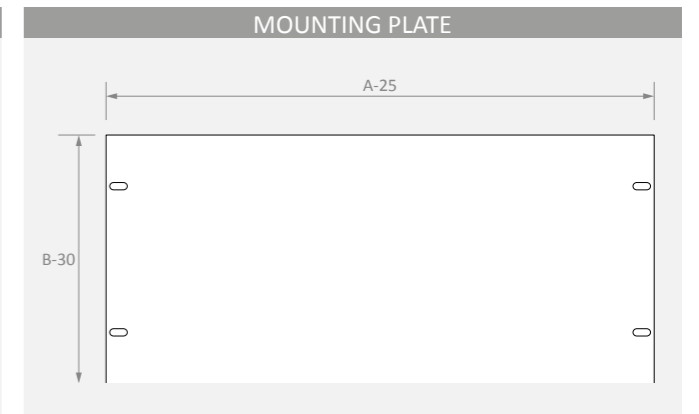
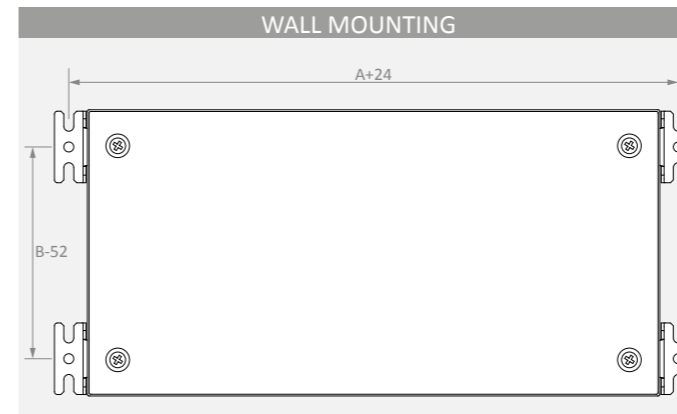
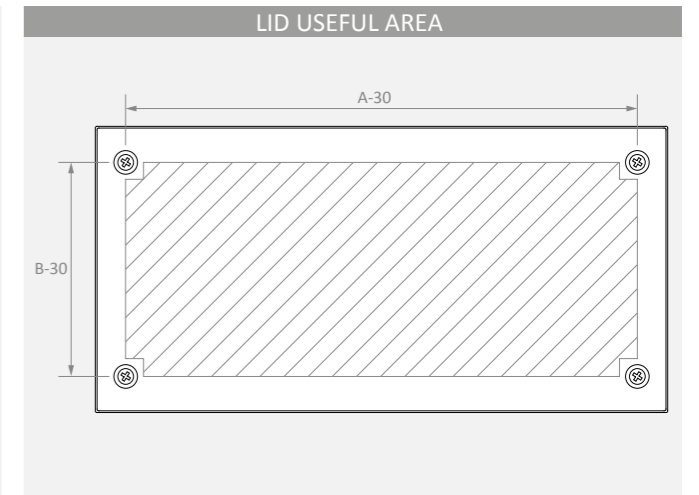
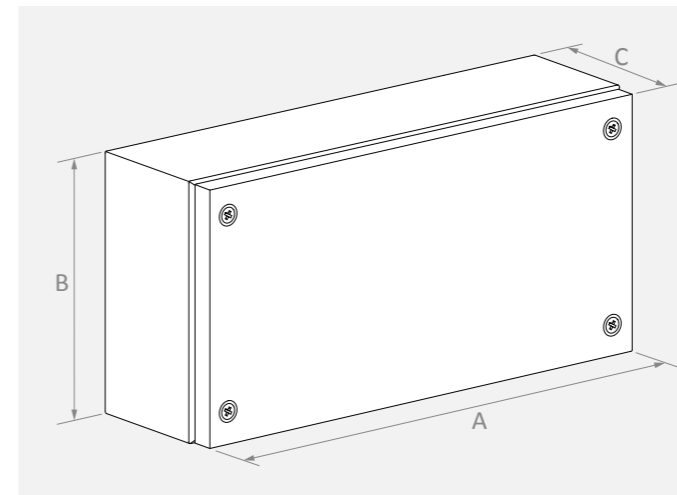
- Body
- Lid
- Lid screws

Complementary Accessories

- DIN rail
- Mounting plate
- Earthing cable
- 4 pcs wall brackets



Width A	Height B	Depth C	Reference	Useful Area			Wall Mounting		DIN Rail Fixing	Mounting Plate		Weight kg
				Lid ↔ mm	Side ↑ mm	↗ mm	↔ mm	↑ mm	↔ mm	↑ mm		
150	150	120	KB 151512	110	110	86	174	98	108	125	120	2.1
200	200	120	KB 202012	160	160	86	224	148	158	175	170	2.9
300	200	120	KB 302012	260	160	86	324	148	258	275	170	3.7
	300	120	KB 303012	260	260	86	324	248	2 x 258	275	270	4.9
400	200	120	KB 402012	360	160	86	424	148	358	375	170	4.6
	300	120	KB 403012	360	260	86	424	248	2 x 358	375	270	5.9
	400	120	KB 404012	360	360	86	424	348	2 x 358	375	370	7.3



Characteristics

- Material**
- Sheet Steel (EN 10130 DC01)
 - Body : 1.2 mm
 - Lid : 1.2 mm
 - Galvanized Steel (EN 10346 DX51D+Z)
 - Mounting plate : 1.5 mm
- Surface Finishing**
- RAL7035w powder coating
- IP Rating**
- KBP IP65 (TS 3033, EN 60529)
- Others**
- Fully welded construction
 - Screwed plain lid
 - Foamed-in lid PU sealing gasket
 - Ready for mounting plate and DIN rail fixing



On Request

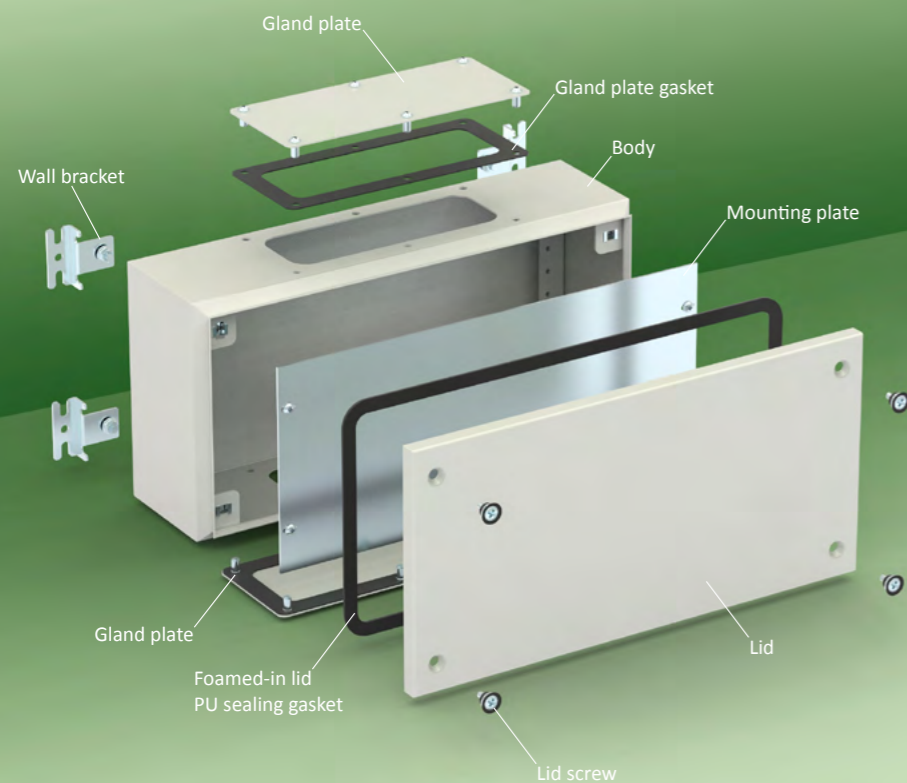
- Special sizes
- Special colour
- Pre-punching
- Glazed lid

Supply Includes

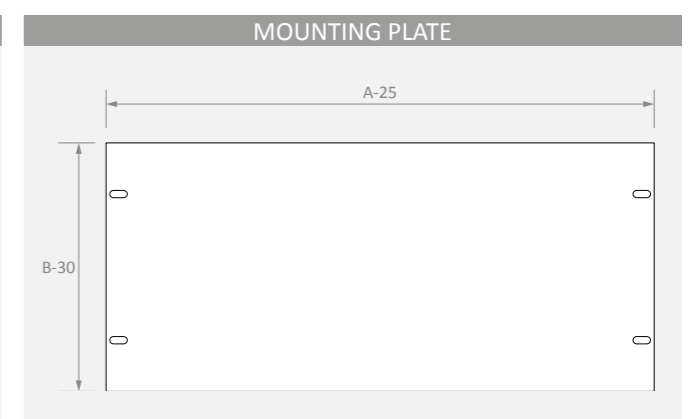
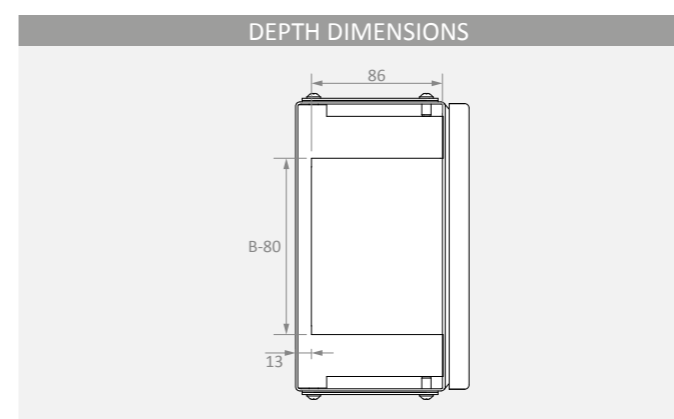
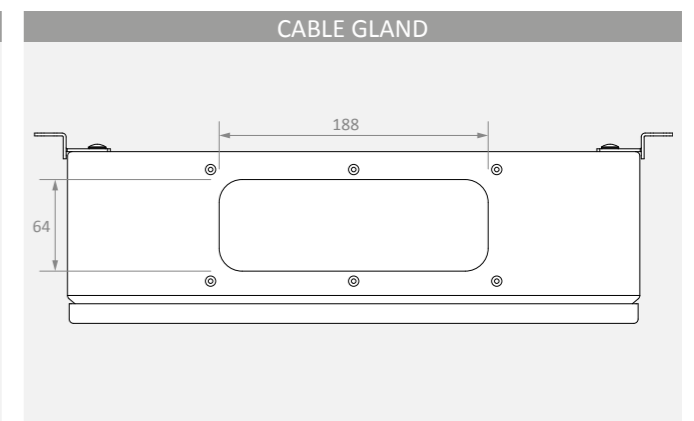
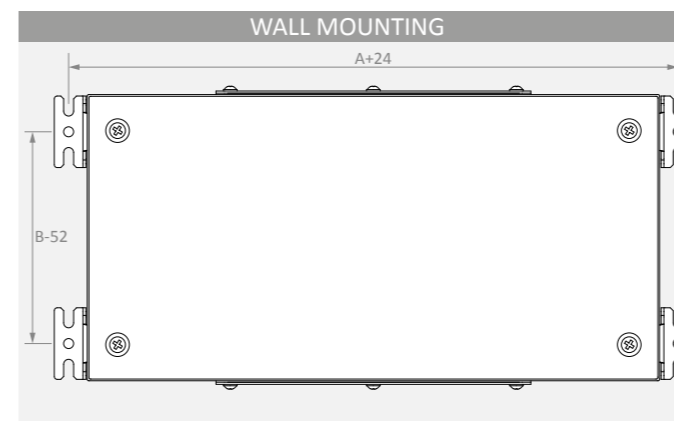
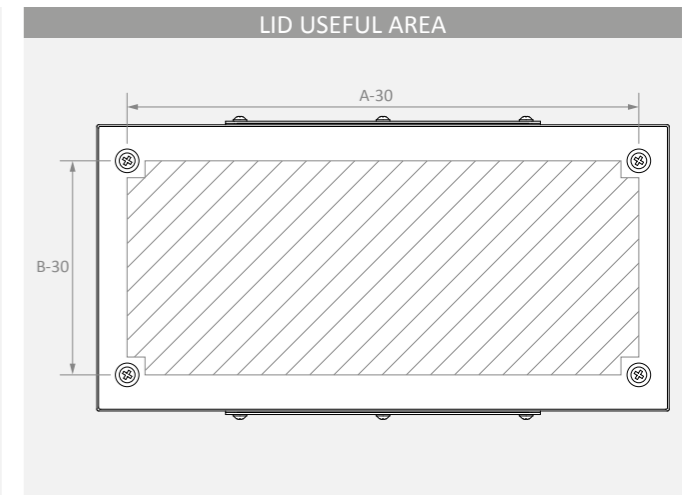
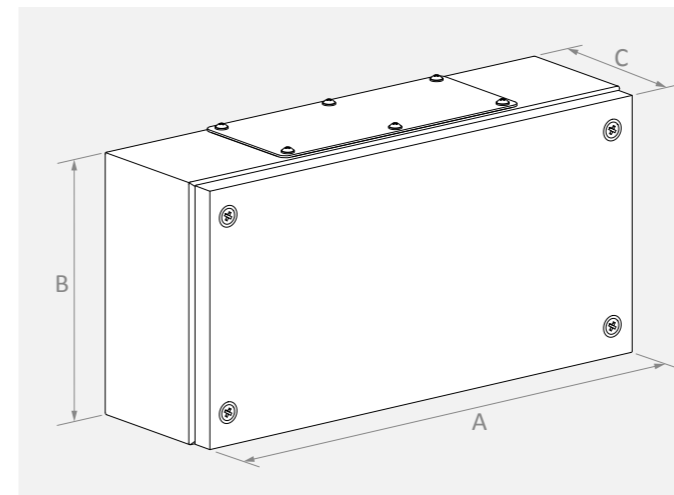
- Body
- Lid
- Lid screws

Complementary Accessories

- DIN rail
- Mounting plate
- Earthing cable
- 4 pcs wall brackets



Width A	Height B	Depth C	Reference	Useful Area			Gland Plate			Wall Mounting		DIN Rail Fixing	Mounting Plate		Weight kg
				Lid	Side		# ad	↔ mm	↗ mm	↔ mm	↕ mm	↔ mm	↔ mm	↕ mm	
mm	mm	mm		↔ mm	↕ mm	↗ mm									
300	200	120	KBP 302012	260	160	86	2	188	64	324	148	258	275	170	3.9
	300	120	KBP 303012	260	260	86	2	188	64	324	248	2 x 258	275	270	5.2
400	200	120	KBP 402012	360	160	86	2	188	64	424	148	358	375	170	4.8
	300	120	KBP 403012	360	260	86	2	188	64	424	248	2 x 358	375	270	6.2
	400	120	KBP 404012	360	360	86	2	188	64	424	348	2 x 358	375	370	7.8
600	300	120	KBP 603012	560	260	86	4	188	64	624	248	2 x 558	575	270	8.7
	400	120	KBP 604012	560	360	86	4	188	64	624	348	2 x 558	575	370	11.0



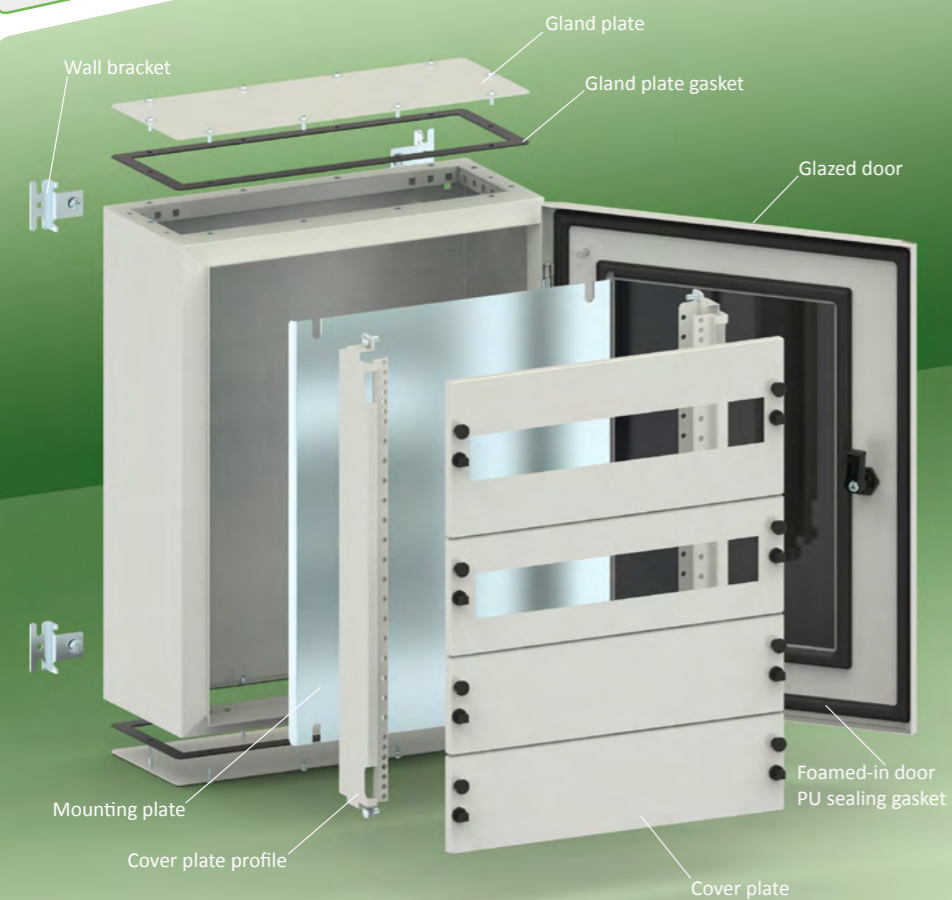
Characteristics

- Material**
- Sheet Steel (EN 10130 DC01)
 - Body : 1.2 / 1.5 mm
 - Door : 1.2 / 1.5 mm
 - Galvanized Steel (EN 10346 DX51D+Z)
 - Mounting plate : 1.5 - 2 mm
- Surface Finishing**
- RAL7035w powder coating
- IP Rating**
- Single door enclosures
- IP66 (TS 3033, EN 60529)
- Double door enclosures
- IP55 (TS 3033, EN 60529)
- Others**
- Fully welded construction
 - Solid / glazed door
 - Foamed-in door PU sealing gasket
 - 155° concealed hinges
 - 5mm Double-bit insert polyamide lock
 - Top and bottom gland plates
 - One piece PE gasket for gland plate



On Request

- Special sizes
- Special colour
- Pre-punching



Supply Includes

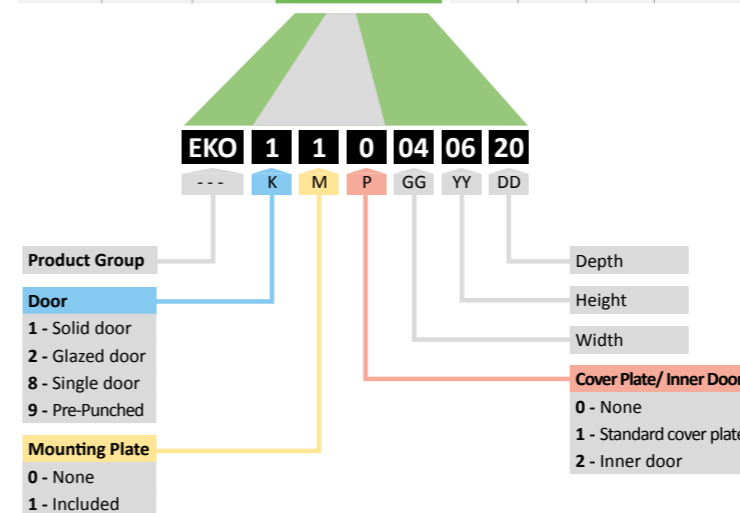
- Body
- Door (Select ≈ **K**)
- Mounting plate (Option ≈ **M**)
- Cover plate set (Option ≈ **P**)
- Hinged inner door (Option ≈ **P**)
- 2 pcs gland plates with gasket
- 4/6 pcs wall brackets

Complementary Accessories

- Rain canopy
- Support base
- DIN rail
- Cover plate and profiles
- Standoff
- Door inside mounting profile
- Door stay
- Pole fitting set
- Plastic cover plate
- Special locks and keys
- Earthing cable

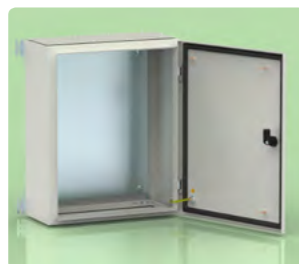
Width	Height	Depth	Reference	Door	Lock Type	Lock	Hinge	Wall Bracket	Weight **	Application Options					
										Glazed Door	Cover Plate System	Standard Cover Plate Set	Rain Canopy	Support Base	
A	B	C		pcs	*	pcs	pcs	pcs	kg	Y/N	Y/N	Y/N	Y/N	Y/N	
200	300	150	EKO xxx 020315	1	C	1	2	4	4.2	-	-	-	-	-	
300	300	150	EKO xxx 030315	1	C	1	2	4	5.6	✓	-	-	✓	✓	
		200	EKO xxx 030320	1	C	1	2	4	6.3	✓	✓	✓	✓	✓	
	400	150	EKO xxx 030415	1	C	1	2	4	7.0	✓	-	-	✓	✓	
		200	EKO xxx 030420	1	C	1	2	4	7.9	✓	✓	✓	✓	✓	
400	300	150	EKO xxx 040315	1	C	1	2	4	7.1	✓	-	-	✓	✓	
		200	EKO xxx 040420	1	C	1	2	4	9.8	✓	✓	✓	✓	✓	
	500	150	EKO xxx 040515	1	C	1	2	4	10.5	✓	-	-	✓	✓	
		200	EKO xxx 040520	1	C	1	2	4	11.6	✓	✓	✓	✓	✓	
	600	200	EKO xxx 040620	1	C	2	2	4	13.5	✓	✓	✓	✓	✓	
		300	EKO xxx 040630	1	C	2	2	4	15.6	✓	✓	✓	✓	✓	
500	500	200	EKO xxx 050520	1	C	1	2	4	14.1	✓	✓	✓	✓	✓	
		600	EKO xxx 050620	1	C	2	2	4	16.2	✓	✓	✓	✓	✓	
	700	200	EKO xxx 050720	1	C	2	3	4	18.5	✓	✓	✓	✓	✓	
		300	EKO xxx 050730	1	C	2	3	4	21.2	✓	✓	✓	✓	✓	
600	400	200	EKO xxx 060420	1	C	1	2	4	14.9	✓	✓	✓	✓	✓	
		600	EKO xxx 060620	1	C	2	2	4	20.6	✓	✓	✓	✓	✓	
	300	200	EKO xxx 060630	1	C	2	2	4	23.2	✓	✓	✓	✓	✓	
		800	200	EKO xxx 060820	1	C	2	3	6	26.2	✓	✓	✓	✓	✓
	1000	300	EKO xxx 060830	1	C	2	3	6	29.0	✓	✓	✓	✓	✓	
		200	EKO xxx 061020	1	C	2	3	6	30.8	✓	✓	✓	✓	✓	
1200	300	200	EKO xxx 061030	1	C	2	3	6	35.2	✓	✓	✓	✓	✓	
		300	EKO xxx 061230	1	C	2	4	6	39.7	✓	✓	✓	✓	✓	
800	600	200	EKO xxx 080620	1	C	2	3	6	26.3	✓	-	-	✓	✓	
		300	EKO xxx 080630	2	I	1	4	6	28.3	✓	-	-	✓	✓	
	1000	300	EKO xxx 081030	1	C	2	4	6	45.3	✓	-	-	✓	✓	
1000	1200	300	EKO xxx 081230	1	C	2	4	6	59.0	✓	-	-	✓	✓	
		600	300	EKO xxx 106030	2	I	1	4+4	6	50.0	-	-	-	✓	✓
		1000	300	EKO xxx 101030	2	I	1	4+4	6	60.0	-	-	-	✓	✓
1200	300	1000	EKO xxx 101230	2	I	1	4+4	6	70.0	-	-	-	✓	✓	
		1200	300	EKO xxx 121230	2	I	1	4+4	6	80.0	-	-	-	✓	✓

* C: Quarter Turn I: Escutcheon Rod-latch
 ** For EKO 110 GG YY DD



WALL MOUNTED ENCLOSURES

WALL MOUNTED ENCLOSURES



- K → Solid Door
- M → Mounting Plate
- P → -- --

- Solid Door
- Mounting Plate
- --

- Solid Door
- Mounting Plate
- Inner Door

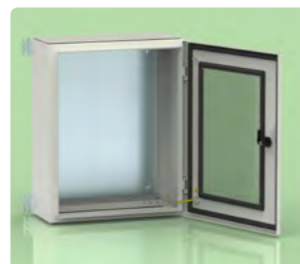
- Solid Door
- --
- Cover Plate

Width	Height	Depth	Door	
A	B	C		
mm	mm	mm	pcs	
200	300	150	1	
300	300	150	1	
		200	1	
	400	150	1	
		200	1	
400	500	200	1	
		200	1	
	600	150	1	
		200	1	
	500	700	200	1
			300	1
600		800	200	1
			300	1
	1000	200	1	
		300	1	
	800	1200	300	1
			300	2
1000		300	1	
		300	2	
1000	1200	300	2	
		300	2	
	1200	300	2	

Reference
EKO 110 020315
EKO 110 030315
EKO 110 030320
EKO 110 030415
EKO 110 030420
EKO 110 030520
EKO 110 040315
EKO 110 040420
EKO 110 040515
EKO 110 040520
EKO 110 040620
EKO 110 040630
EKO 110 050520
EKO 110 050620
EKO 110 050720
EKO 110 050730
EKO 110 060420
EKO 110 060620
EKO 110 060630
EKO 110 060820
EKO 110 060830
EKO 110 061020
EKO 110 061030
EKO 110 061230
EKO 110 080620
EKO 110 080630
EKO 110 081030
EKO 110 081230
EKO 110 106030
EKO 110 101030
EKO 110 101230
EKO 110 121230

Reference
-- --
EKO 112 030315
EKO 112 030320
EKO 112 030415
EKO 112 030420
EKO 112 030520
EKO 112 040315
EKO 112 040420
EKO 112 040515
EKO 112 040520
EKO 112 040620
EKO 112 040630
EKO 112 050520
EKO 112 050620
EKO 112 050720
EKO 112 050730
EKO 112 060420
EKO 112 060620
EKO 112 060630
EKO 112 060820
EKO 112 060830
EKO 112 061020
EKO 112 061030
EKO 112 061230
EKO 112 080620
EKO 112 080630
EKO 112 081030
EKO 112 081230
EKO 112 106030
EKO 112 101030
EKO 112 101230
EKO 112 121230

Reference
-- --
EKO 101 030320
EKO 101 030420
EKO 101 030520
-- --
EKO 101 040420
-- --
EKO 101 040520
EKO 101 040620
EKO 101 040630
EKO 101 050520
EKO 101 050620
EKO 101 050720
EKO 101 050730
EKO 101 060420
EKO 101 060620
EKO 101 060630
EKO 101 060820
EKO 101 060830
EKO 101 061020
EKO 101 061030
EKO 101 061230
-- --
-- --
-- --
-- --
-- --
-- --



- Glazed Door
- Mounting Plate
- --

- Glazed Door
- Mounting Plate
- Inner Door

- Glazed Door
- --
- Cover Plate

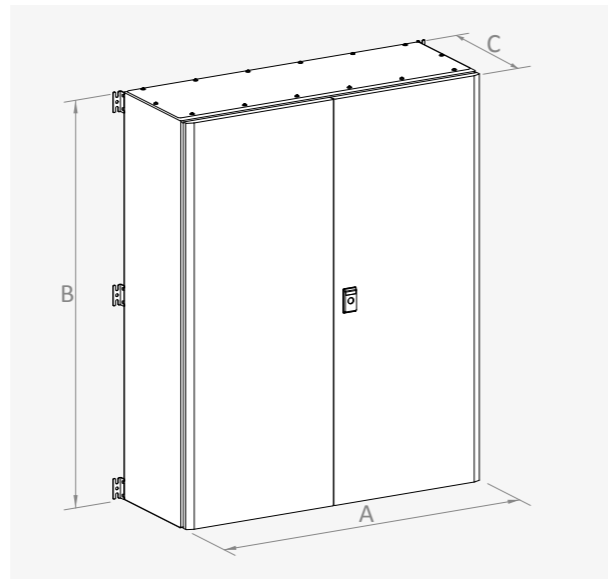
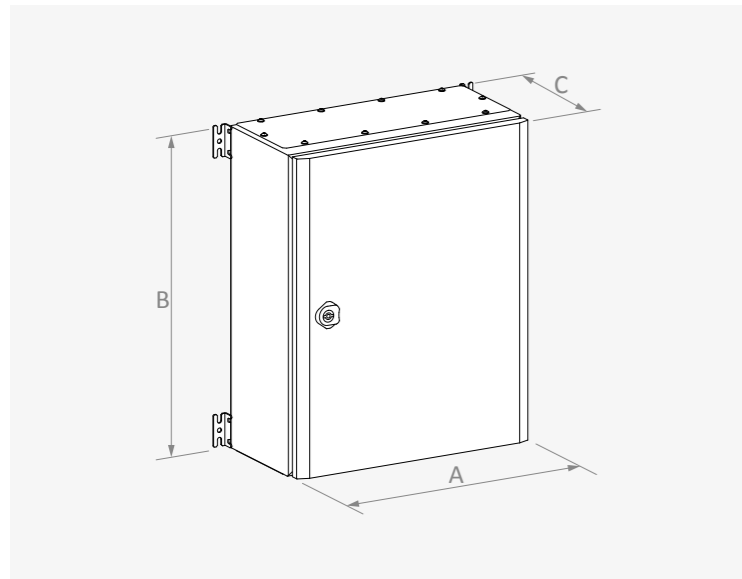
- Pre-punched Door
- Mounting Plate
- --

Reference
-- --
EKO 210 030315
EKO 210 030320
EKO 210 030415
EKO 210 030420
EKO 210 030520
EKO 210 040315
EKO 210 040420
EKO 210 040515
EKO 210 040520
EKO 210 040620
EKO 210 040630
EKO 210 050520
EKO 210 050620
EKO 210 050720
EKO 210 050730
EKO 210 060420
EKO 210 060620
EKO 210 060630
EKO 210 060820
EKO 210 060830
EKO 210 061020
EKO 210 061030
EKO 210 061230
EKO 210 080620
EKO 210 080630
EKO 210 081030
EKO 210 081230
-- --
-- --
-- --
-- --
-- --
-- --

Reference
-- --
EKO 212 030315
EKO 212 030320
EKO 212 030415
EKO 212 030420
EKO 212 030520
EKO 212 040315
EKO 212 040420
EKO 212 040515
EKO 212 040520
EKO 212 040620
EKO 212 040630
EKO 212 050520
EKO 212 050620
EKO 212 050720
EKO 212 050730
EKO 212 060420
EKO 212 060620
EKO 212 060630
EKO 212 060820
EKO 212 060830
EKO 212 061020
EKO 212 061030
EKO 212 061230
-- --
-- --
-- --
-- --
-- --
-- --

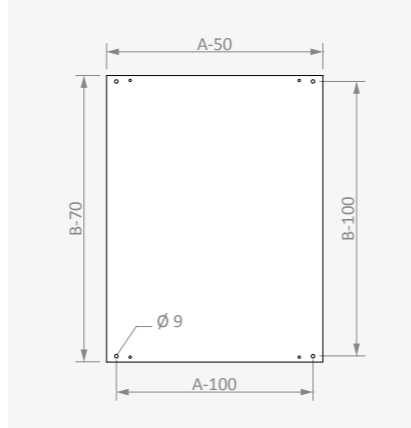
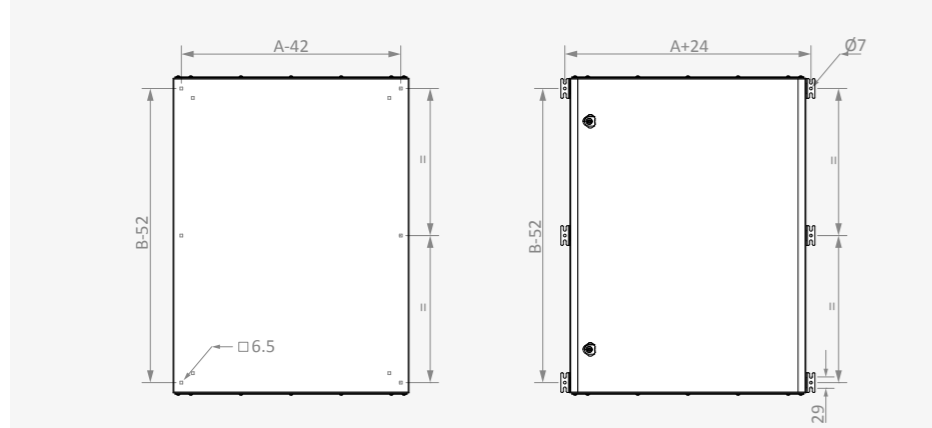
Reference
-- --
EKO 201 030320
EKO 201 030420
EKO 201 030520
-- --
EKO 201 040420
-- --
EKO 201 040520
EKO 201 040620
EKO 201 040630
EKO 201 050520
EKO 201 050620
EKO 201 050720
EKO 201 050730
EKO 201 060420
EKO 201 060620
EKO 201 060630
EKO 201 060820
EKO 201 060830
EKO 201 061020
EKO 201 061030
EKO 201 061230
-- --
-- --
-- --
-- --
-- --
-- --

Reference
EKO 910 020315
EKO 910 030315
EKO 910 030320
EKO 910 030415
EKO 910 030420
EKO 910 030520
EKO 910 040315
EKO 910 040420
EKO 910 040515
EKO 910 040520
EKO 910 040620
EKO 910 040630
EKO 910 050520
EKO 910 050620
EKO 910 050720
EKO 910 050730
EKO 910 060420
EKO 910 060620
EKO 910 060630
EKO 910 060820
EKO 910 060830
EKO 910 061020
EKO 910 061030
EKO 910 061230
EKO 910 080620
EKO 910 080630
EKO 910 081030
EKO 910 081230
EKO 910 106030
EKO 910 101030
EKO 910 101230
EKO 910 121230



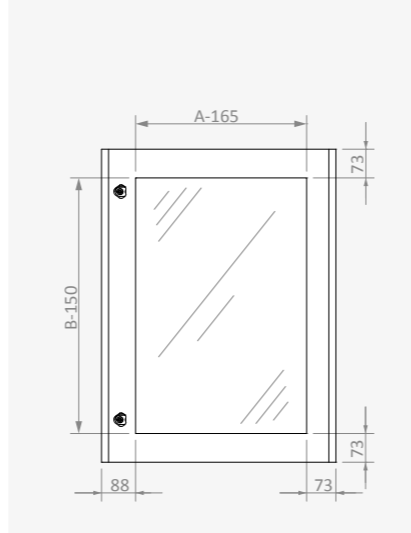
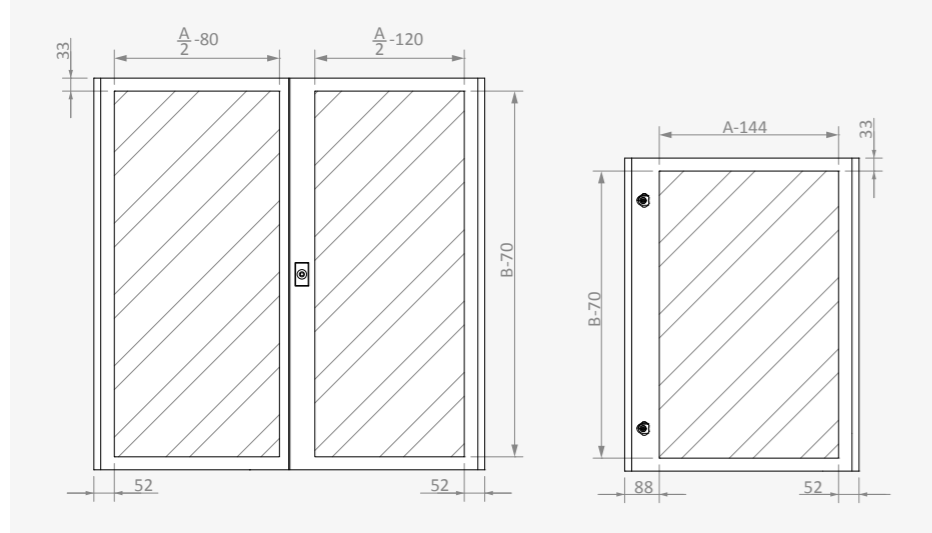
WALL MOUNTING

MOUNTING PLATE

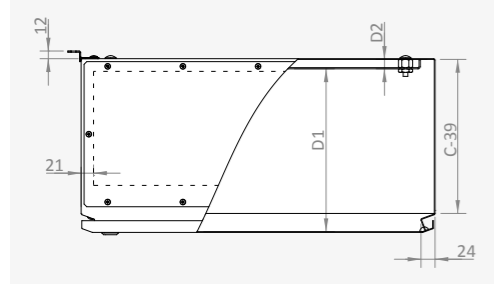


SOLID DOOR USEFUL AREA

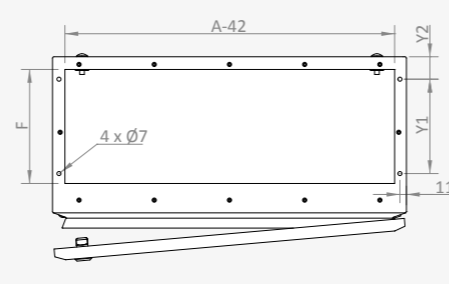
GLAZED DOOR APPARENT AREA



DEPTH DIMENSIONS



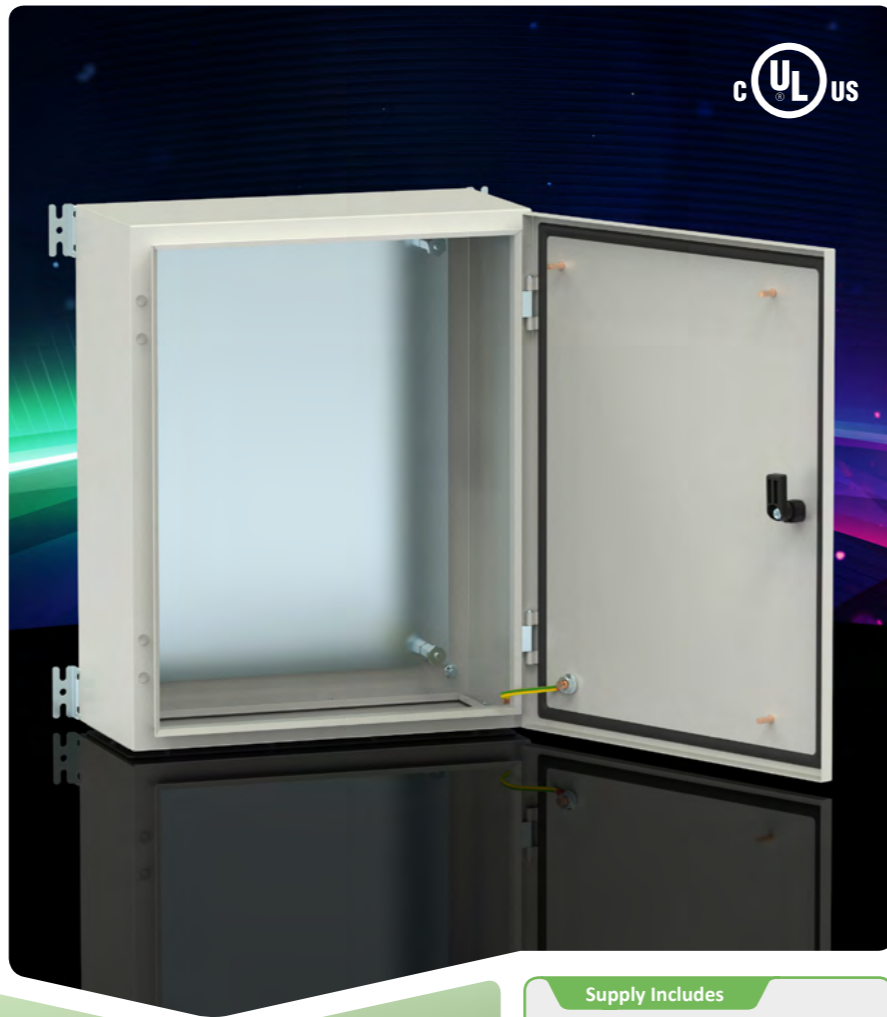
Width	Depth	D1	D2	F	Y1	Y2	
A	C	150	129	13	59	45	23
A < 600	200	179	13	109	80	38	
	300	279	13	193	160	38	
A ≥ 600	200	176	16	109	80	38	
	300	276	16	193	160	38	



Width A	Height B	Depth C	Reference	Useful Area			Glazed Door Apparent Area		Gland Plate			Wall Mounting				Mounting Plate		
				Door		Side	↔		↕	# pcs	↔		↕		↔		↕	
				↔ mm	↕ mm	↗ mm	↔ mm	↕ mm	mm		mm	mm	mm	mm	mm	mm	mm	mm
200	300	150	EKO xxx 020315	56	230	101	-	-	2	160	60	224	248	158	248	150	230	
300	300	150	EKO xxx 030315	156	230	101	135	150	2	260	60	324	248	258	248	250	230	
		200	EKO xxx 030320	156	230	151	135	150	2	260	110	324	248	258	248	250	230	
	400	150	EKO xxx 030415	156	330	101	135	250	2	260	60	324	348	258	348	250	330	
		200	EKO xxx 030420	156	330	151	135	250	2	260	110	324	348	258	348	250	330	
400	500	200	EKO xxx 030520	156	430	151	135	350	2	260	110	324	448	258	448	250	430	
	300	150	EKO xxx 040315	256	230	101	235	150	2	360	60	424	248	358	248	350	230	
		200	EKO xxx 040420	256	330	151	235	250	2	360	110	424	348	358	348	350	330	
	500	150	EKO xxx 040515	256	430	101	235	350	2	360	60	424	448	358	448	350	430	
		200	EKO xxx 040520	256	430	151	235	350	2	360	110	424	448	358	448	350	430	
500	600	200	EKO xxx 040620	256	530	151	235	450	2	360	110	424	548	358	548	350	530	
		300	EKO xxx 040630	256	530	251	235	450	2	360	194	424	548	358	548	350	530	
	700	200	EKO xxx 050520	356	430	151	335	350	2	460	110	524	448	458	448	450	430	
		300	EKO xxx 050620	356	530	151	335	450	2	460	110	524	548	458	548	450	530	
600	400	200	EKO xxx 050720	356	630	151	335	550	2	460	110	524	648	458	648	450	630	
		300	EKO xxx 050730	356	630	251	335	550	2	460	194	524	648	458	648	450	630	
	600	200	EKO xxx 060420	456	330	149	435	250	2	560	110	624	348	558	348	550	330	
		300	EKO xxx 060620	456	530	149	435	450	2	560	110	624	548	558	548	550	530	
	800	800	200	EKO xxx 060630	456	530	249	435	450	2	560	194	624	548	558	548	550	530
			300	EKO xxx 060820	456	730	149	435	650	2	560	110	624	748	558	748	550	730
800	1000	200	EKO xxx 060830	456	730	249	435	650	2	560	194	624	748	558	748	550	730	
		300	EKO xxx 061020	456	930	149	435	850	2	560	110	624	948	558	948	550	930	
	1200	300	200	EKO xxx 061030	456	930	249	435	850	2	560	194	624	948	558	948	550	930
			300	EKO xxx 061230	456	1130	249	435	1050	2	560	194	624	1148	558	1148	550	1130
1000	600	200	EKO xxx 080620	656	530	149	635	450	2	760	110	824	548	758	548	750	530	
		300	EKO xxx 080630	656	530	249	635	450	2	760	194	824	548	758	548	750	530	
	1200	300	200	EKO xxx 081030	656	930	249	635	850	2	760	194	824	948	758	948	750	930
300			EKO xxx 081230	656	1130	249	635	1050	2	760	194	824	1148	758	1148	750	1130	
1200	600	200	EKO xxx 106030	420 + 380	530	249	-	-	2	960	194	1024	548	558	548	550	530	
		300	EKO xxx 101030	420 + 380	930	249	-	-	2	960	194	1024	948	958	948	950	930	
	1200	300	200	EKO xxx 101230	420 + 380	1130	249	-	-	2	960	194	1024	1148	958	1148	950	1130
300			EKO xxx 121230	520 + 480	1130	249	-	-	2	1160	194	1224	1148	1158	1148	1150	1130	

Characteristics

- Material**
- Sheet Steel (EN 10130 DC01)
 - Body : 1.2 / 1.5 mm
 - Door : 1.2 / 1.5 mm
 - Galvanized Steel (EN 10346 DX51D+Z)
 - Mounting plate : 1.5 - 2 mm
- Surface Finishing**
- RAL7035w powder coating
- IP Rating**
- IP65 (TS 3033, EN 60529)
- Others**
- Fully welded construction
 - Solid / glazed door
 - Foamed-in door PU sealing gasket
 - 135° concealed hinges
 - 5mm Double-bit insert polyamide lock
 - Bottom gland plate
 - One piece PE gasket for gland plate



On Request

- Special sizes
- Special colour
- Pre-punching



Supply Includes

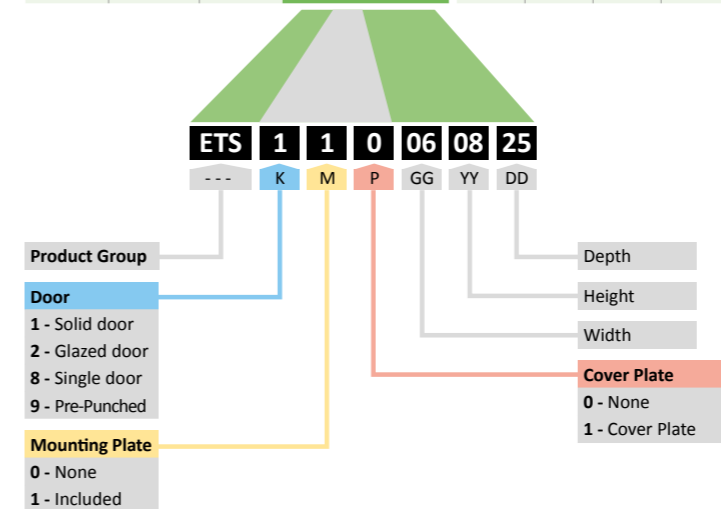
- Body
- Door (Select ≈ **K**)
- Mounting plate (Option ≈ **M**)
- Cover plate set (Option ≈ **P**)
- Gland plate with gasket
- 4/6 pcs wall brackets

Complementary Accessories

- Rain canopy
- Support base
- DIN rail
- Cover plate and profiles
- Standoff
- Door inside mounting profile
- Pole fitting set
- Plastic cover plate
- Special locks and keys
- Earthing cable

Width A	Height B	Depth C	Reference	Door pcs	Lock Type *	Lock pcs	Hinge pcs	Wall Bracket pcs	Weight ** kg	Application Options				
										Glazed Door Y/N	Cover Plate System Y/N	Standard Cover Plate Set Y/N	Rain Canopy Y/N	Support Base Y/N
300	300	150	ETS xxx 030315	1	C	1	2	4	6.5	✓	-	-	✓	✓
		200	ETS xxx 030320	1	C	1	2	4	7.4	✓	✓	✓	✓	✓
	400	150	ETS xxx 030415	1	C	1	2	4	8.2	✓	-	-	✓	✓
		200	ETS xxx 030420	1	C	1	2	4	9.0	✓	✓	✓	✓	✓
400	500	200	ETS xxx 030520	1	C	1	2	4	10.9	✓	✓	✓	✓	✓
		200	ETS xxx 040420	1	C	1	2	4	11.2	✓	✓	✓	✓	✓
	200	500	ETS xxx 040520	1	C	1	2	4	13.4	✓	✓	✓	✓	✓
		200	ETS xxx 040620	1	C	2	2	4	14.8	✓	✓	✓	✓	✓
	200	250	ETS xxx 040625	1	C	2	2	4	16.7	✓	✓	-	✓	✓
		200	ETS xxx 040820	1	C	2	3	6	18.7	✓	✓	✓	✓	✓
500	500	200	ETS xxx 050520	1	C	1	2	4	16.0	✓	✓	✓	✓	✓
		200	ETS xxx 050720	1	C	2	3	4	21.2	✓	✓	✓	✓	✓
	200	700	ETS xxx 050725	1	C	2	3	4	22.9	✓	✓	-	✓	✓
		200	ETS xxx 050820	1	C	2	3	6	23.9	✓	✓	✓	✓	✓
600	600	200	ETS xxx 060620	1	C	2	2	4	22.1	✓	✓	✓	✓	✓
		200	ETS xxx 060820	1	C	2	3	6	28.0	✓	✓	✓	✓	✓
	200	800	ETS xxx 060825	1	C	2	3	6	29.5	✓	✓	-	✓	✓
		200	1000	ETS xxx 061020	1	C	2	3	6	34.6	✓	✓	✓	✓
200	250		ETS xxx 061025	1	C	2	3	6	37.0	✓	✓	-	✓	✓
	800	1000	200	ETS xxx 080820	1	C	2	3	6	35.2	✓	-	-	✓
300			ETS xxx 081030	1	C	2	4	6	49.5	✓	-	-	✓	✓

* C: Quarter Turn
** For ETS 110 GG YY DD





K →
M →
P →

Solid Door
Mounting Plate

Solid Door

Cover Plate

Width	Height	Depth	Door
A	B	C	
mm	mm	mm	ad
300	300	150	1
		200	1
	400	150	1
		200	1
400	500	200	1
		200	1
	600	200	1
		250	1
500	800	200	1
		200	1
	700	200	1
		250	1
600	1000	200	1
		250	1
		200	1
	800	200	1
		300	1

Reference
ETS 110 030315
ETS 110 030320
ETS 110 030415
ETS 110 030420
ETS 110 030520
ETS 110 040420
ETS 110 040520
ETS 110 040620
ETS 110 040625
ETS 110 040820
ETS 110 050520
ETS 110 050720
ETS 110 050725
ETS 110 050820
ETS 110 060620
ETS 110 060820
ETS 110 060825
ETS 110 061020
ETS 110 061025
ETS 110 080820
ETS 110 081030

Reference

ETS 101 030320

ETS 101 030420
ETS 101 030520
ETS 101 040420
ETS 101 040520
ETS 101 040620

ETS 101 040820
ETS 101 050520
ETS 101 050720

ETS 101 050820
ETS 101 060620
ETS 101 060820

ETS 101 061020



Glazed Door
Mounting Plate

Glazed Door

Cover Plate

Pre-Punched Door
Mounting Plate

Reference
ETS 210 030315
ETS 210 030320
ETS 210 030415
ETS 210 030420
ETS 210 030520
ETS 210 040420
ETS 210 040520
ETS 210 040620
ETS 210 040625
ETS 210 040820
ETS 210 050520
ETS 210 050720
ETS 210 050725
ETS 210 050820
ETS 210 060620
ETS 210 060820
ETS 210 060825
ETS 210 061020
ETS 210 061025
ETS 210 080820
ETS 210 081030

Reference

ETS 201 030320

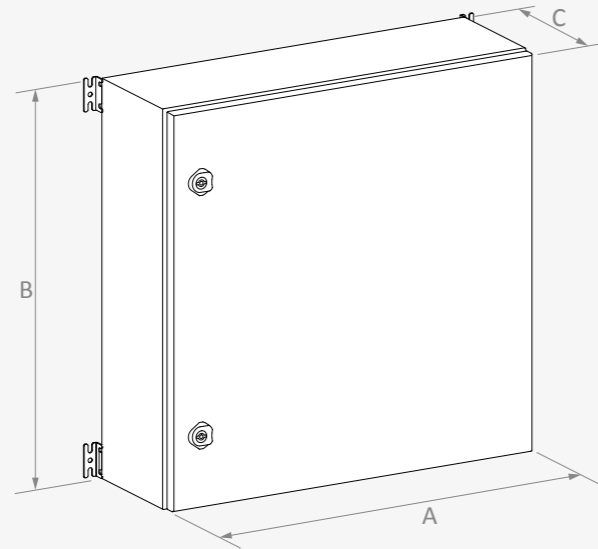
ETS 201 030420
ETS 201 030520
ETS 201 040420
ETS 201 040520
ETS 201 040620

ETS 201 040820
ETS 201 050520
ETS 201 050720

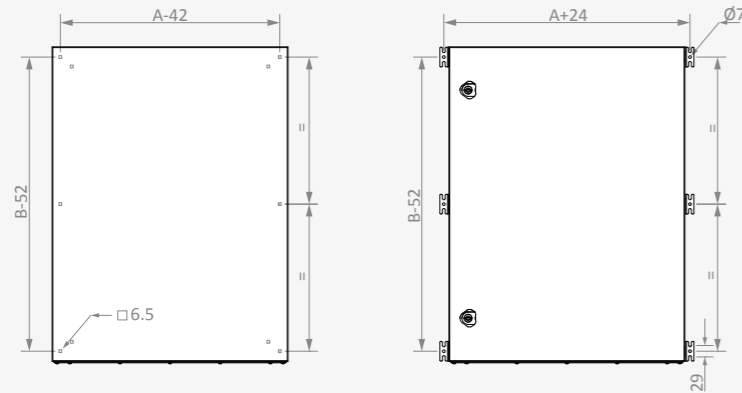
ETS 201 050820
ETS 201 060620
ETS 201 060820

ETS 201 061020

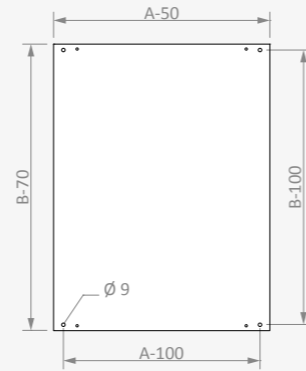
Reference
ETS 910 030315
ETS 910 030320
ETS 910 030415
ETS 910 030420
ETS 910 030520
ETS 910 040420
ETS 910 040520
ETS 910 040620
ETS 910 040625
ETS 910 040820
ETS 910 050520
ETS 910 050720
ETS 910 050725
ETS 910 050820
ETS 910 060620
ETS 910 060820
ETS 910 060825
ETS 910 061020
ETS 910 061025
ETS 910 080820
ETS 910 081030



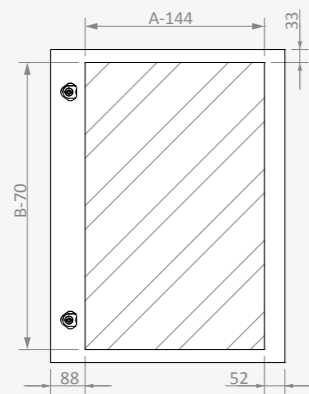
WALL MOUNTING



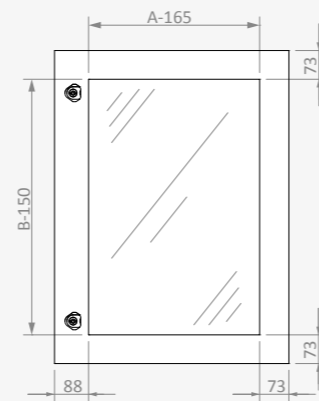
MOUNTING PLATE



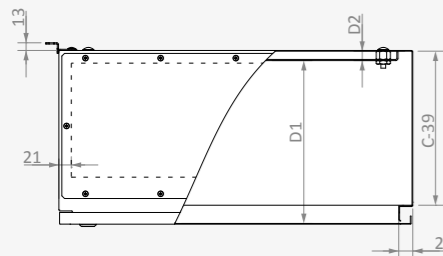
SOLID DOOR USEFUL AREA



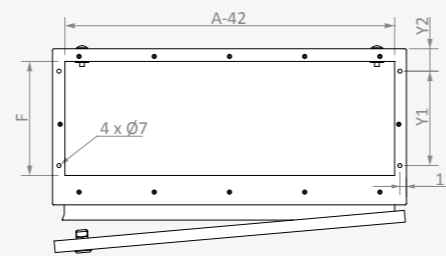
GLAZED DOOR APPARENT AREA



DEPTH DIMENSIONS



Width	Depth	D1	D2	F	Y1	Y2
A	C	D1	D2	F	Y1	Y2
A < 600	150	129	13	59	45	23
	200	179	13	109	80	38
	300	279	13	193	160	38
A ≥ 600	200	176	16	109	80	38
	300	276	16	193	160	38



Width A	Height B	Depth C	Reference	Useful Area			Glazed Door Apparent Area		Gland Plate			Wall Mounting				Mounting Plate	
				Door		Side	Apparent Area		Gland Plate			With Bracket		Internal		Mounting Plate	
				↔ mm	↕ mm	↗ mm	↔ mm	↕ mm	# pcs	↔ mm	↗ mm	↔ mm	↕ mm	↔ mm	↕ mm	↔ mm	↕ mm
300	300	150	ETS xxx 030315	156	230	127	135	150	1	260	60	324	248	258	248	250	230
		200	ETS xxx 030320	156	230	177	135	150	1	260	110	324	248	258	248	250	230
	400	150	ETS xxx 030415	156	330	127	135	250	1	260	60	324	348	258	348	250	330
		200	ETS xxx 030420	156	330	177	135	250	1	260	110	324	348	258	348	250	330
400	500	200	ETS xxx 030520	156	430	177	135	350	1	260	110	324	448	258	448	250	430
	400	200	ETS xxx 040420	256	330	177	235	250	1	360	110	424	348	358	348	350	330
		200	ETS xxx 040520	256	430	177	235	350	1	360	110	424	448	358	448	350	430
	600	200	ETS xxx 040620	256	530	177	235	450	1	360	110	424	548	358	548	350	530
		250	ETS xxx 040625	256	530	227	235	450	1	360	160	424	548	358	548	350	530
	800	200	ETS xxx 040820	256	730	177	235	650	1	360	110	424	748	358	748	350	730
500	500	200	ETS xxx 050520	356	430	177	335	350	1	460	110	524	448	458	448	450	430
	700	200	ETS xxx 050720	356	630	177	335	550	1	460	110	524	648	458	648	450	630
		250	ETS xxx 050725	356	630	227	335	550	1	460	160	524	648	458	648	450	630
800	200	ETS xxx 050820	356	730	177	335	650	1	460	110	524	748	458	748	450	730	
600	600	200	ETS xxx 060620	456	530	177	435	450	1	560	110	624	548	558	548	550	530
		200	ETS xxx 060820	456	730	177	435	650	1	560	110	624	748	558	748	550	730
	1000	250	ETS xxx 060825	456	730	227	435	650	1	560	160	624	748	558	748	550	730
		200	ETS xxx 061020	456	930	177	435	850	1	560	110	624	948	558	948	550	930
250	ETS xxx 061025	456	930	227	435	850	1	560	160	624	948	558	948	550	930		
800	800	200	ETS xxx 080820	656	730	177	635	650	1	760	110	824	748	758	748	750	730
	1000	300	ETS xxx 081030	656	930	277	635	850	1	760	210	824	948	758	948	750	930

Characteristics

Material

- Sheet Steel (EN 10130 DC01)
- Body : 1.5 mm
- Door : 1.5 mm
- Galvanized Steel (EN 10346 DX51D+Z)
- Mounting plate : 2 mm

Surface Finishing

- RAL7035w powder coating

IP Rating

- Single door enclosures
- IP65 (TS 3033, EN 60529)
- Double door enclosures
- IP55 (TS 3033, EN 60529)

Others

- Fully welded construction
- Solid door
- Foamed-in door PU sealing gasket
- Bottom gland plate



On Request

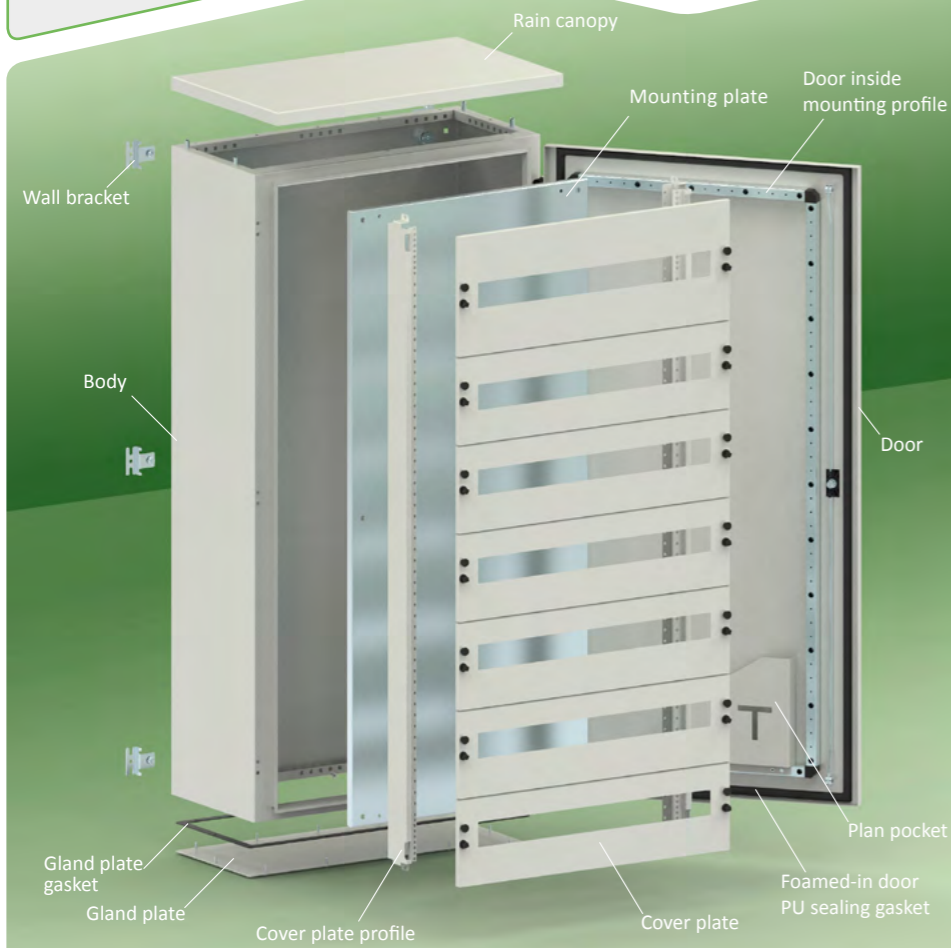
- Special sizes
- Special colour
- Pre-punching

Supply Includes

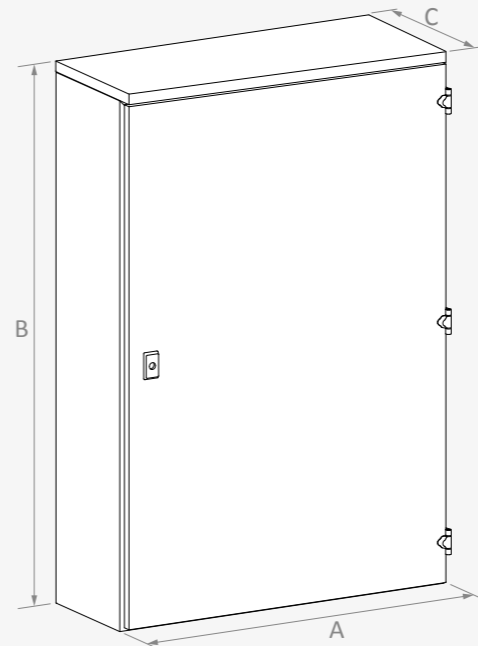
- Body
- Door
- Rain canopy
- Mounting plate
- 4/6 pcs wall brackets
- Gland plate with gasket

Complementary Accessories

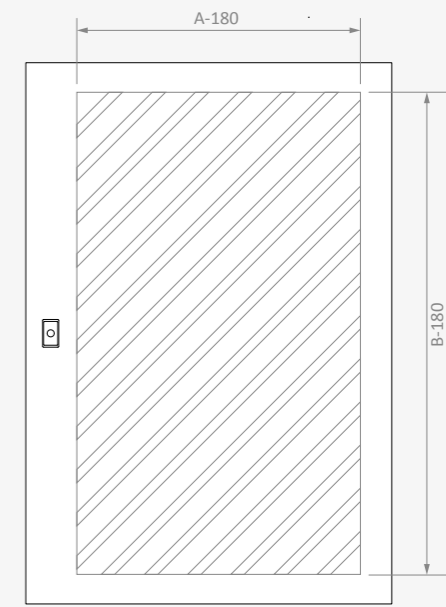
- Support base
- Cover plate and profiles
- Standoff
- Door inside mounting profile
- Plan pocket
- Special locks and keys
- Earthing cable
- Plastic cover plate



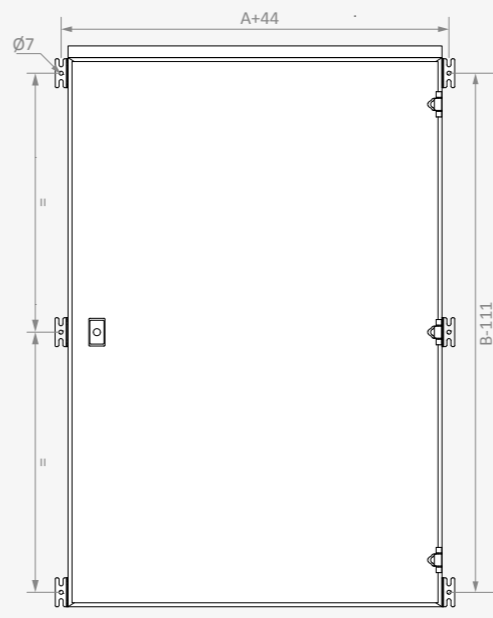
Width A	Height B	Depth C	Reference	Door pcs	Hinge pcs	Wall Bracket pcs	Door Useful Area		Gland Plate			Wall Mounting		Mounting Plate	
							↔ mm	↕ mm	pcs	↔ mm	↕ mm	↔ mm	↕ mm	↔ mm	↕ mm
600	1200	250	EDT 061225	1	3	6	420	1020	1	560	113	644	1089	496	1116
		300	EDT 061230	1	3	6	420	1020	1	560	203	644	1089	496	1116
	1400	250	EDT 061425	1	3	6	420	1220	1	560	113	644	1289	496	1316
		300	EDT 061430	1	3	6	420	1220	1	560	203	644	1289	496	1316
800	1200	250	EDT 081225	1	3	6	620	1020	1	760	113	844	1089	696	1116
		300	EDT 081230	1	3	6	620	1020	1	760	203	844	1089	696	1116
	1400	250	EDT 081425	1	3	6	620	1220	1	760	113	844	1289	696	1316
		300	EDT 081430	1	3	6	620	1220	1	760	203	844	1289	696	1316
1000	1200	250	EDT 101230	2	6	6	320 + 320	1020	1	960	203	1044	1089	896	1116
		300	EDT 101430	2	6	6	320 + 320	1220	1	960	203	1044	1289	896	1316



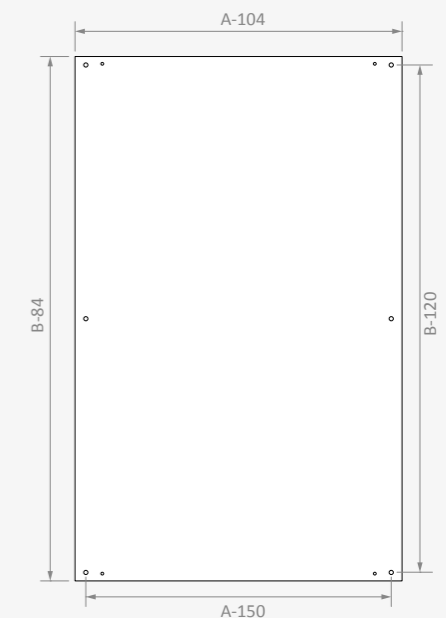
DOOR USEFUL AREA



WALL MOUNTING



MOUNTING PLATE



Characteristics

Material

- Stainless Steel 430 (EN 10088 1.4016)
 - Body : 1.2 mm
 - Door : 1.2 mm
- Galvanized Steel (EN 10346 DX51D+Z)
 - Mounting plate : 1.5 mm

Surface Finishing

- RAL7035w powder coating

IP Rating

- IP66 (TS 3033, EN 60529)

Others

- Fully welded construction
- Solid door
- Foamed-in door PU sealing gasket
- 135° concealed hinges
- 5mm Double-bit insert chrome coated zamak lock
- Bottom gland plate
- Door stay

On Request

- Special sizes
- Special colour
- Pre-punching



Supply Includes

- Body
- Door
- Mounting plate
- Door stay
- Gland plate with gasket

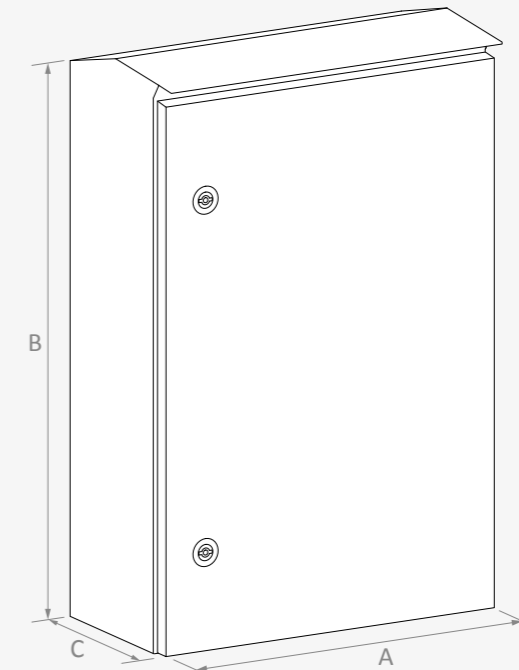
Complementary Accessories

- Cover plate and profiles
- Standoff
- Door inside mounting profile
- Special locks and keys
- Earthing cable
- Pole fitting set

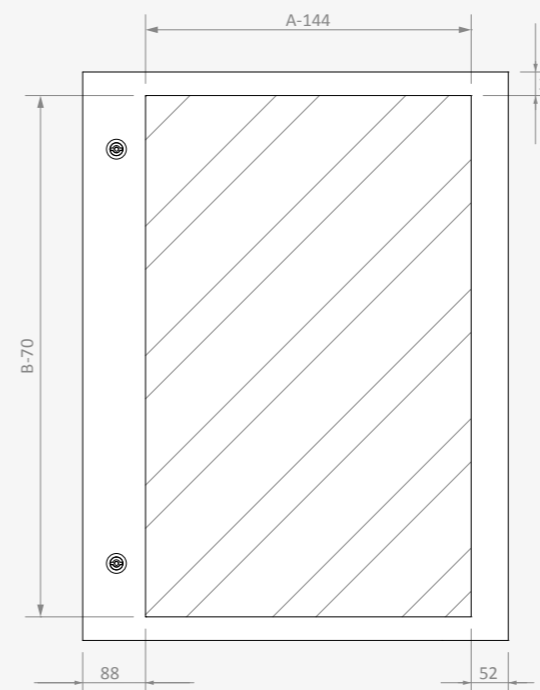


Width A	Height B	Depth C	Reference	Lock Type	Lock	Hinge	Useful Area			Cable Gland			Mounting Plate	
							Door		Depth	ad	↔	↷	↔	↕
							↔	↕	↷					
300	400	200	HDS 030420	C	1	2	156	330	177	1	260	110	250	330
400	600	200	HDS 040620	C	2	2	256	530	177	1	360	110	350	530
500	700	200	HDS 050720	C	2	3	356	630	177	1	460	110	450	630
600	600	200	HDS 060620	C	2	2	456	530	177	1	560	110	550	530
	800	250	HDS 060825	C	2	3	456	730	227	1	560	110	550	730

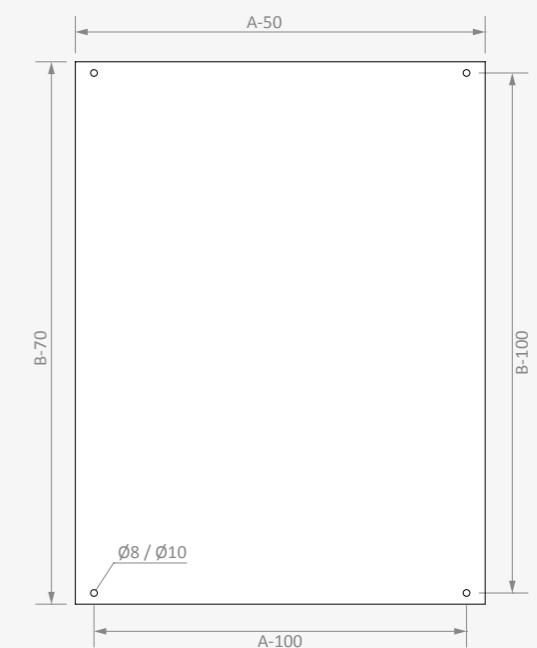
* C: Quarter Turn



DOOR USEFUL AREA



MOUNTING PLATE



Characteristics

- Material**
- Sheet Steel (EN 10130 DC01)
 - Body : 1.2 / 1.5 mm
 - Door : 1.2 / 1.5 mm
 - Galvanized Steel (EN 10346 DX51D+Z)
 - Mounting plate : 1.5 mm
- Surface Finishing**
- RAL7035w powder coating
- Others**
- Fully welded construction
 - Solid + glazed door
 - Foamed-in door PU sealing gasket
 - 135° concealed hinges
 - 5mm Double-bit insert polyamide lock
 - Top and bottom brushed cable entry plates



On Request

- Special sizes
- Special colour
- Pre-punching



Supply Includes

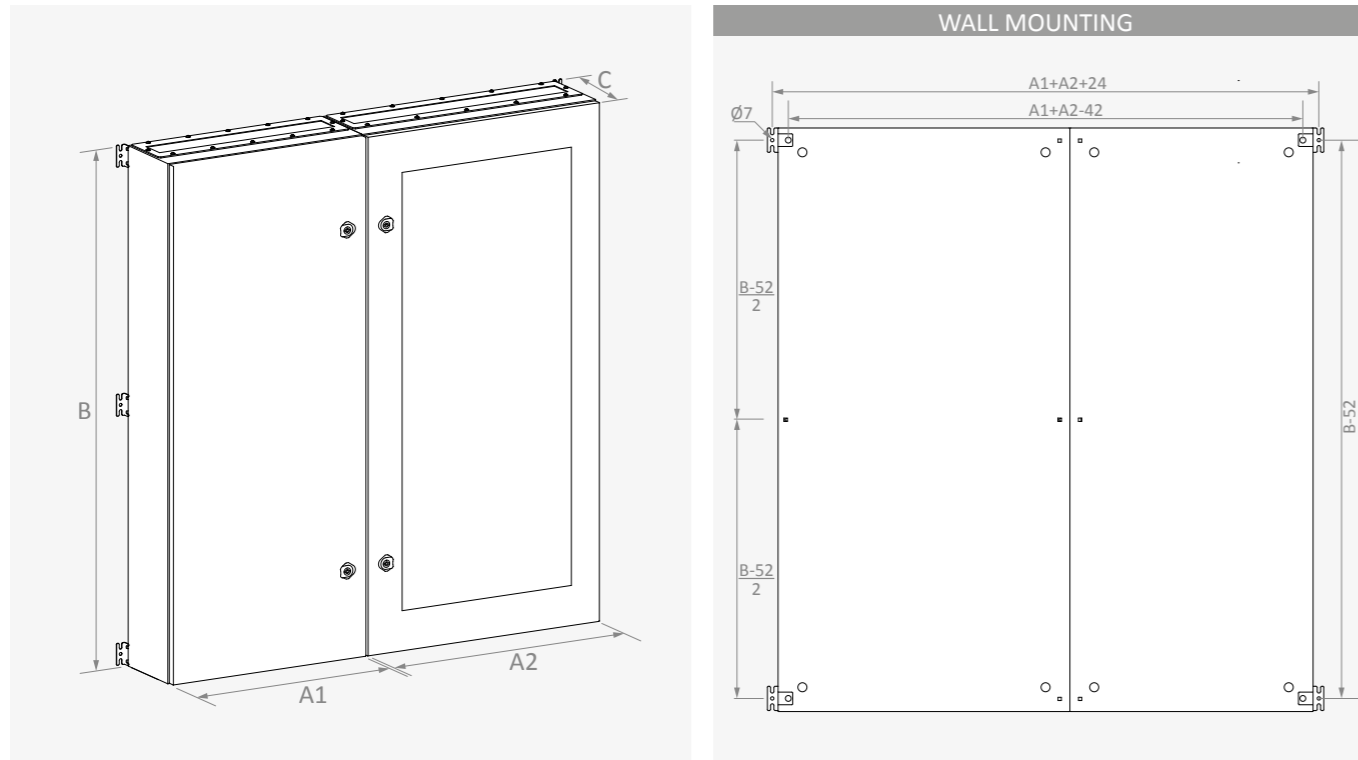
- Body
- Door
- Incoming mounting plate
- Distribution cover plate set
- 4 pcs brushed cable entry plate
- 4/6 pcs wall brackets

Complementary Accessories

- DIN rail
- Door inside mounting profile
- Plastic cover plate
- Special locks and keys
- Earthing cable

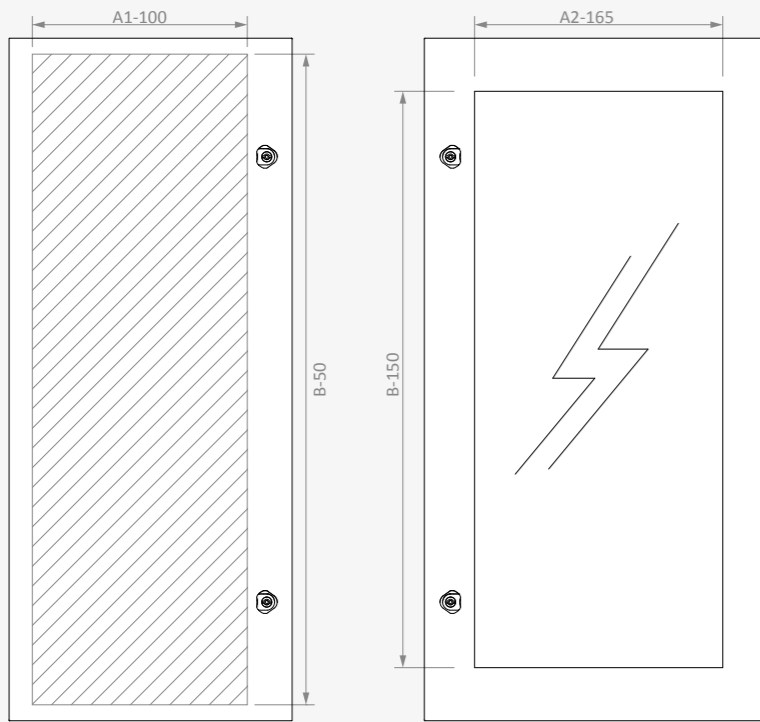
Incoming Width	Distribution Width	Height	Depth	Reference	Door	Lock Type	Lock	Hinge	Wall Bracket	Incoming		Distribution		
										Mounting Plate		Cover Plate	Cover Capacity	Total Capacity
A1	A2	B	C							↔	↕	pcs	Module*	Module*
mm	mm	mm	mm		pcs	*	pcs	pcs	pcs	mm	mm			
400	600	600	200	KDS 04060620	1+1	C	2+2	2+2	4	350	530	3	29	87
		800	200	KDS 04060820	1+1	C	2+2	3+3	6	350	730	4	29	116
		1000	200	KDS 04061020	1+1	C	2+2	3+3	6	350	930	5	29	145
	1200	200	KDS 04061220	1+1	C	2+2	4+4	6	350	1130	6	29	174	
	800	600	200	KDS 04080620	1+1	C	2+2	2+2	4	350	530	3	39	117
		800	200	KDS 04080820	1+1	C	2+2	3+3	6	350	730	4	39	156
1000		200	KDS 04081020	1+1	C	2+2	3+3	6	350	930	5	39	195	
1200	200	KDS 04081220	1+1	C	2+2	4+4	6	350	1130	6	39	234		
600	600	600	200	KDS 06060620	1+1	C	2+2	2+2	4	550	530	3	29	87
		800	200	KDS 06060820	1+1	C	2+2	3+3	6	550	730	4	29	116
		1000	200	KDS 06061020	1+1	C	2+2	3+3	6	550	930	5	29	145
	1200	200	KDS 06061220	1+1	C	2+2	4+4	6	550	1130	6	29	174	
	800	600	200	KDS 06080620	1+1	C	2+2	2+2	4	550	530	3	39	117
		800	200	KDS 06080820	1+1	C	2+2	3+3	6	550	730	4	39	156
1000		200	KDS 06081020	1+1	C	2+2	3+3	6	550	930	5	39	195	
1200	200	KDS 06081220	1+1	C	2+2	4+4	6	550	1130	6	39	234		

* C: Quarter Turn

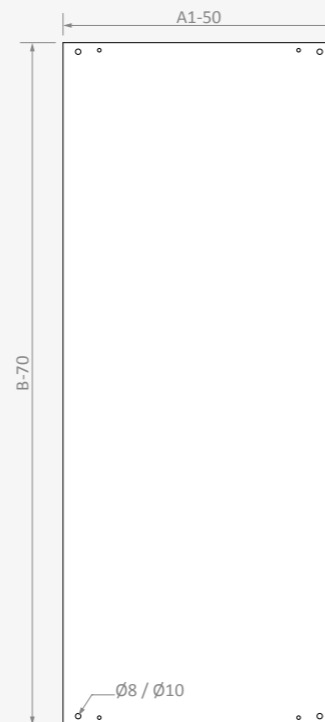


Incoming Width	Distribution Width	Height	Depth	Reference	Useful Area				Glazed Door		Gland Plate			Wall Mounting				
					Incoming Solid Door		Distribution Solid Door		Apparent Area		Incoming		Distribution	With Bracket		Internal		
					↔	↕	↔	↕	↔	↕	#	↔	↔	↗	↔	↕	↔	↕
mm	mm	mm	mm		mm	mm	mm	mm	mm	mm	mm	mm	mm	mm	mm	mm	mm	
400	600	600	200	KDS 04060620	300	550	500	550	435	450	2 / 2	332	532	140	1024	548	958	548
		800	200	KDS 04060820	300	750	500	750	435	650	2 / 2	332	532	140	1024	748	958	748
		1000	200	KDS 04061020	300	950	500	950	435	850	2 / 2	332	532	140	1024	948	958	948
		1200	200	KDS 04061220	300	1150	500	1150	435	1050	2 / 2	332	532	140	1024	1148	958	1148
	800	600	200	KDS 04080620	300	550	700	550	635	450	2 / 2	332	732	140	1224	548	1158	548
		800	200	KDS 04080820	300	750	700	750	635	650	2 / 2	332	732	140	1224	748	1158	748
		1000	200	KDS 04081020	300	950	700	950	635	850	2 / 2	332	732	140	1224	948	1158	948
		1200	200	KDS 04081220	300	1150	700	1150	635	1050	2 / 2	332	732	140	1224	1148	1158	1148
600	600	600	200	KDS 06060620	500	550	500	550	435	450	2 / 2	532	532	140	1224	548	958	548
		800	200	KDS 06060820	500	750	500	750	435	650	2 / 2	532	532	140	1224	748	958	748
		1000	200	KDS 06061020	500	950	500	950	435	850	2 / 2	532	532	140	1224	948	958	948
		1200	200	KDS 06061220	500	1150	500	1150	435	1050	2 / 2	532	532	140	1224	1148	958	1148
	800	600	200	KDS 06080620	500	550	700	550	635	450	2 / 2	532	732	140	1424	548	1158	548
		800	200	KDS 06080820	500	750	700	750	635	650	2 / 2	532	732	140	1424	748	1158	748
		1000	200	KDS 06081020	500	950	700	950	635	850	2 / 2	532	732	140	1424	948	1158	948
		1200	200	KDS 06081220	500	1150	700	1150	635	1050	2 / 2	532	732	140	1424	1148	1158	1148

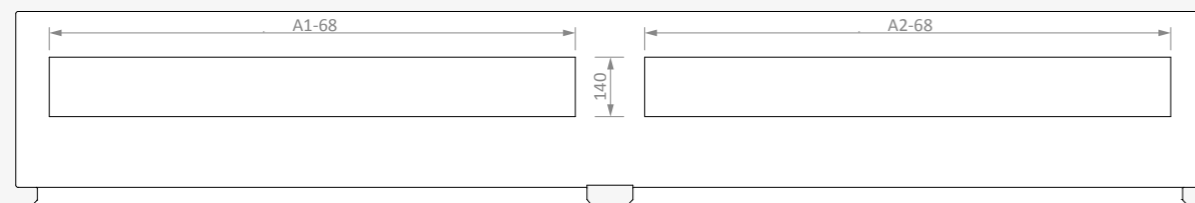
SOLID DOOR USEFUL AREA / GLAZED DOOR APPARENT AREA



MOUNTING PLATE



BRUSHED CABLE ENTRY



- Characteristics**
- Material**
Galvanized Steel (EN 10346 DX51D+Z)
 ■ Body : 1.5 mm
 ■ Door : 1.5 mm
 ■ Mounting plate : 1.5 mm
- Surface Finishing**
 ■ RAL7035w powder coated outer surface
- IP Rating**
 ■ IP65 (TS 3033, EN 60529)
- Others**
 ■ Solid door
 ■ EMC gasket in door
 ■ Conductive interior surface
 ■ 135° concealed hinges
 ■ 5mm Double-bit insert chrome coated zamak lock



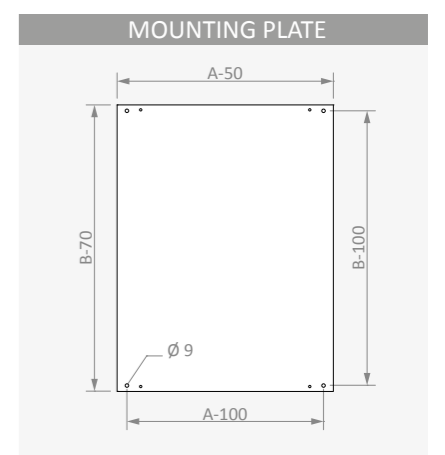
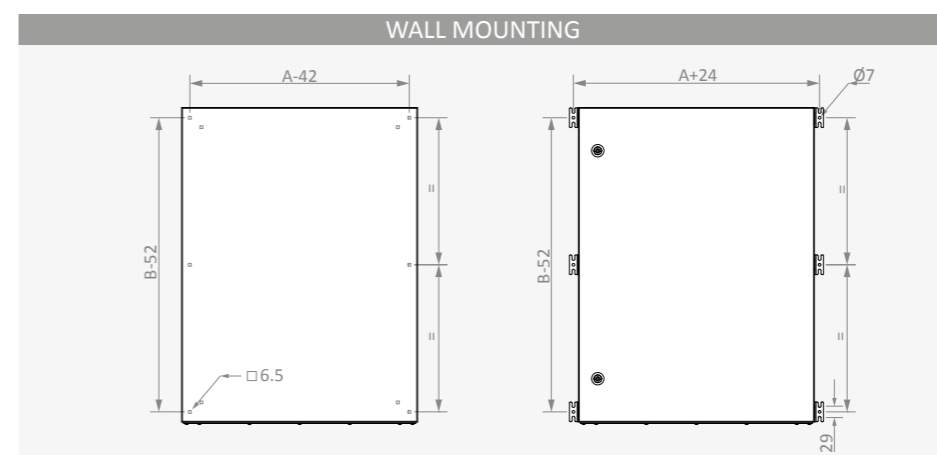
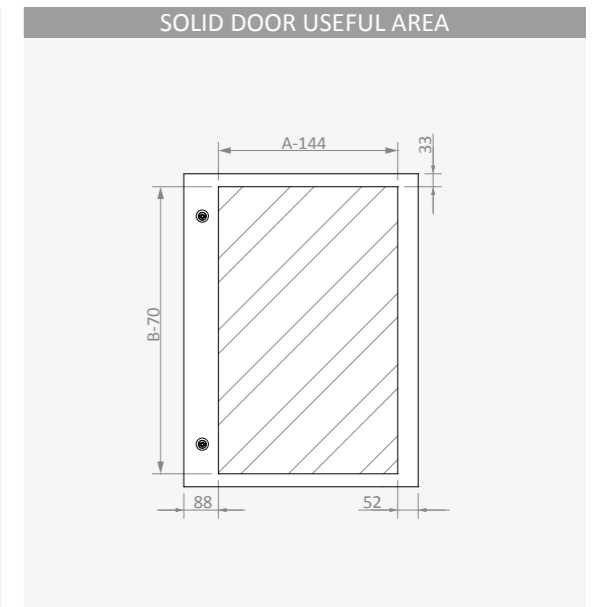
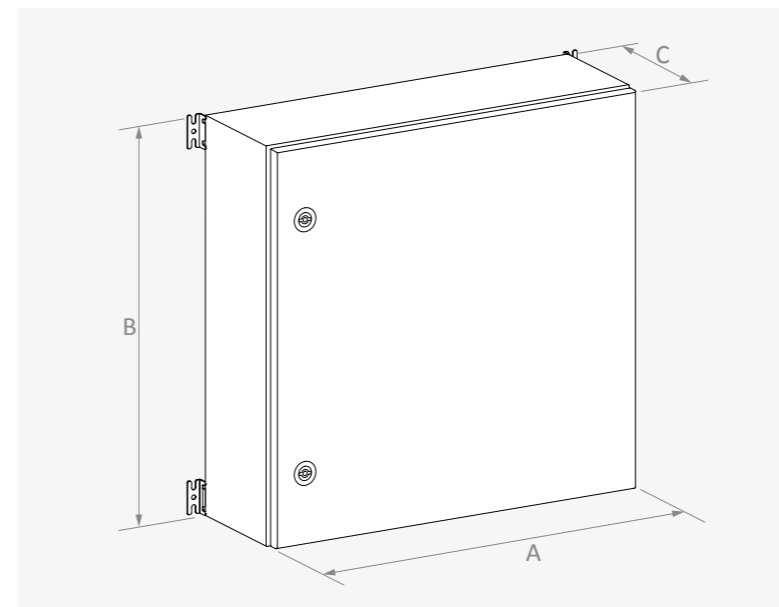
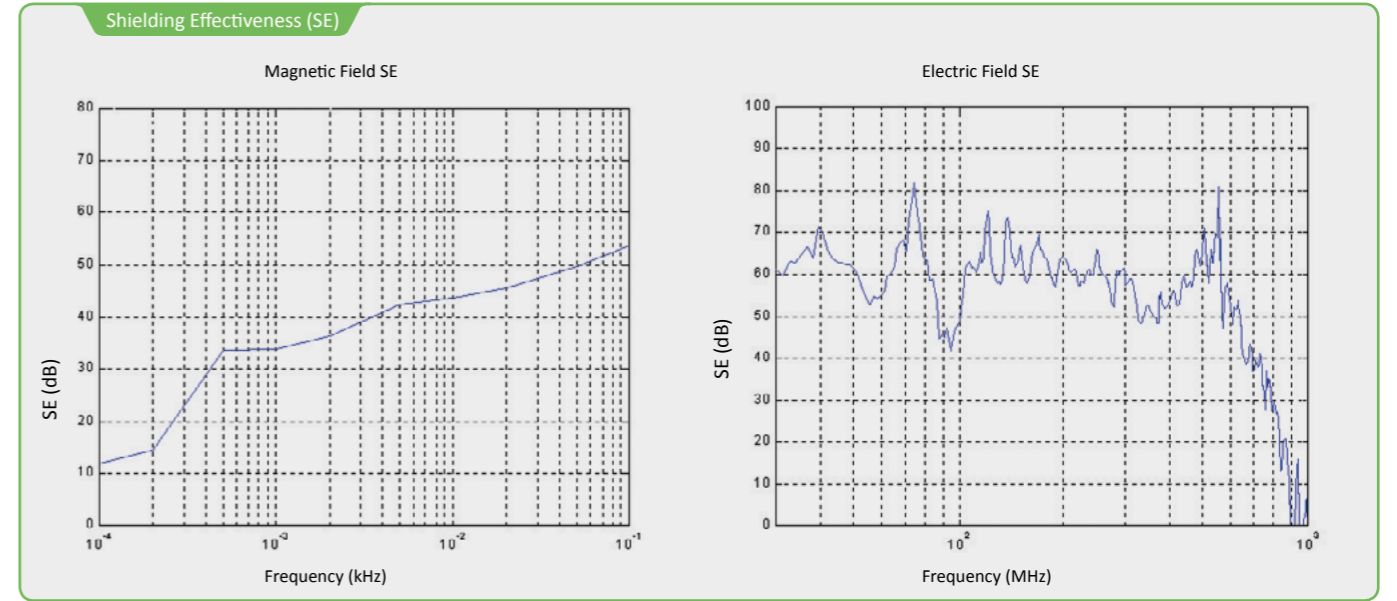
- On Request**
- Special sizes
 - Special colour
 - Pre-punching
 - Special mounting plate



- Supply Includes**
- Body
 - EMC gasketed sealed door
 - Mounting plate
 - 4 pcs wall brackets

- Complementary Accessories**
- DIN rail
 - Door inside mounting profile
 - Earthing cable

Width A	Height B	Depth C	Reference	Door pcs	Lock Type *	Lock pcs	Hinge pcs	Wall Brackets pcs	Wall Mounting		Mounting Plate		Weight kg
									↔	↕	↔	↕	
400	400	200	ESE 040420	1	C	1	2	4	424	348	350	330	9.3
	600	200	ESE 040620	1	C	2	2	4	424	548	350	530	12.7
600	600	200	ESE 060620	1	C	2	2	4	624	548	550	530	16.1
	1000	300	ESE 061030	1	C	2	3	6	624	948	550	930	28.1



Characteristics

- Material**
Galvanized Steel (EN 10346 DX51D+Z)
- Frame : 1.5 mm
 - Panel : 1.5 mm
 - Door : 2 mm
 - Plinth : 2 mm
 - Mounting plate : 2 mm
- Surface Finishing**
■ RAL7035w powder coated outer surface
- IP Rating**
■ IP55 (TS 3033, EN 60529)
- Others**
- EMC gasketed front door and rear panel
 - EMC gasketed side panels, top cover and plinth
 - Conductive interior surface
 - Swing-handle polyamide lock (4 points locking, 333 key)
 - Concealed hinge
 - Multiple mounting plate possibility



On Request

- Special sizes
- Special colour
- Pre-punching



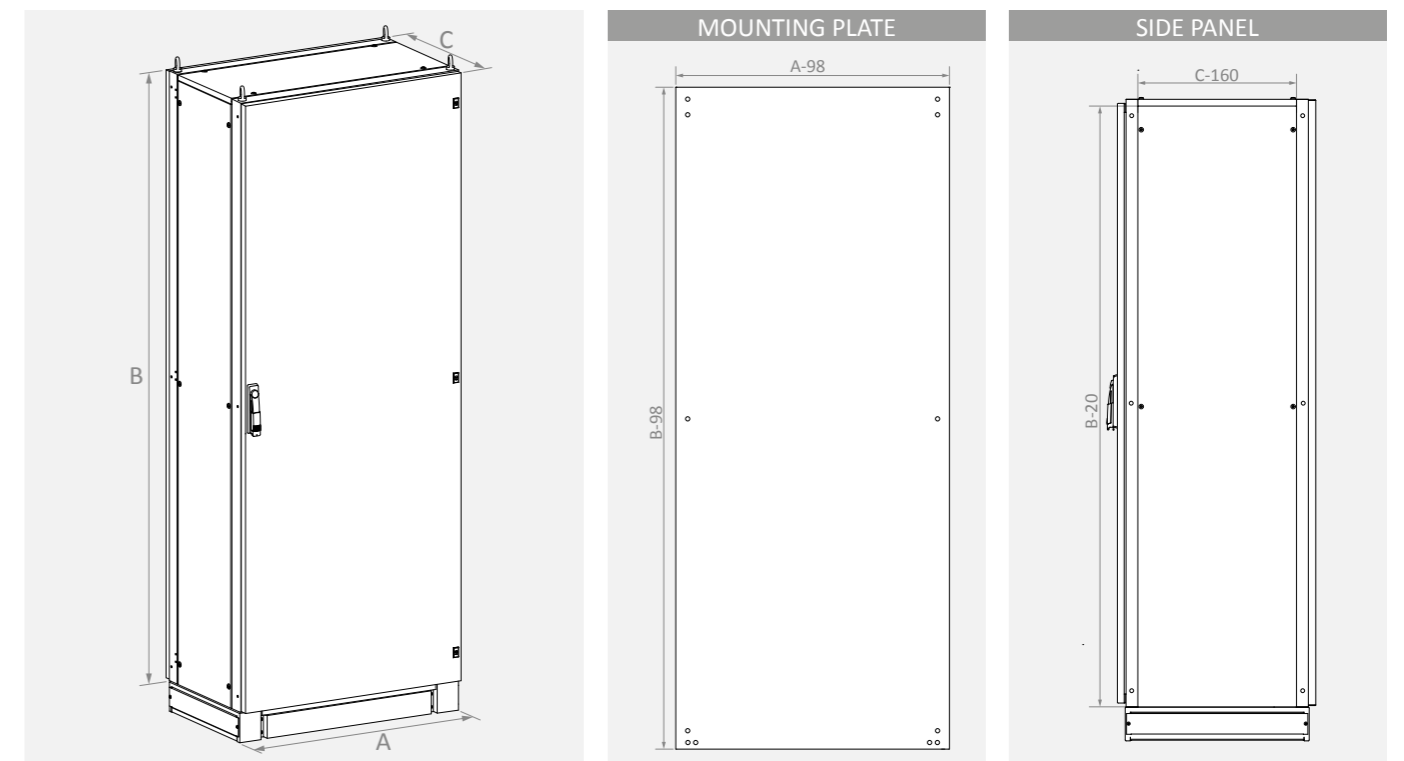
Supply Includes

- Front and rear frame
- Door
- Rear panel
- Mounting plate
- Plinth
- Top cover
- Side panels
- 4/6 pcs side rails
- Door inside mounting profile

Complementary Accessories

- Eye bolt
- Rain canopy
- Door inside mounting profile
- Short mounting plate
- Partial mounting plate
- Carriage depth slide and support
- Partition profile
- L, U and Z profiles
- L and Z brackets
- Busbar & depth profile
- Ladder busbar profile
- Plan pocket
- Earthing cable

Width A	Height B	Depth C	Reference	Door pcs	Lock Type	Hinge pcs	Side Panel		Mounting Plate		Weight kg
							↔	↕	↔	↕	
mm	mm	mm					mm	mm	mm	mm	
400	1800	400	BSE 041840	1	I	3	240	1780	302	1702	78
		500	BSE 041850	1	I	3	340	1780	302	1702	85
		600	BSE 041860	1	I	3	440	1780	302	1702	92
		800	BSE 041880	1	I	3	640	1780	302	1702	105
	2000	400	BSE 042040	1	I	3	240	1980	302	1902	86
		500	BSE 042050	1	I	3	340	1980	302	1902	93
		600	BSE 042060	1	I	3	440	1980	302	1902	100
		800	BSE 042080	1	I	3	640	1980	302	1902	114
600	1800	400	BSE 061840	1	I	3	240	1780	502	1702	99
		500	BSE 061850	1	I	3	340	1780	502	1702	106
		600	BSE 061860	1	I	3	440	1780	502	1702	114
		800	BSE 061880	1	I	3	640	1780	502	1702	128
	2000	400	BSE 062040	1	I	3	240	1980	502	1902	108
		500	BSE 062050	1	I	3	340	1980	502	1902	116
		600	BSE 062060	1	I	3	440	1980	502	1902	123
		800	BSE 062080	1	I	3	640	1980	502	1902	139
800	1800	400	BSE 081840	1	I	3	240	1780	702	1702	120
		500	BSE 081850	1	I	3	340	1780	702	1702	127
		600	BSE 081860	1	I	3	440	1780	702	1702	135
		800	BSE 081880	1	I	3	640	1780	702	1702	151
	2000	400	BSE 082040	1	I	3	240	1980	702	1902	130
		500	BSE 082050	1	I	3	340	1980	702	1902	138
		600	BSE 082060	1	I	3	440	1980	702	1902	147
		800	BSE 082080	1	I	3	640	1980	702	1902	163



Characteristics

- Material**
- Sheet Steel (EN 10130 DC01)
 - Frame : 1.5 mm
 - Panel : 1.5 mm
 - Door : 2 mm
 - Plinth : 2 mm
 - Galvanized Steel (EN 10346 DX51D+Z)
 - Mounting plate : 2 mm
- Surface Finishing**
- RAL7035w powder coating
- IP Rating**
- IP55 (TS 3033, EN 60529)
- Others**
- Welded frame construction
 - Foamed-in door/rear panel PU sealing gasket
 - Swing-handle polyamide lock (3 points locking, 333 key)
 - Door and panel options for rear side
 - Multiple mounting plate possibility
 - The modular construction can be join
 - Removable side panels
 - Plinth and cover options



On Request

- Special sizes
- Special colour
- Pre-punching
- Flat pack options



Supply Includes

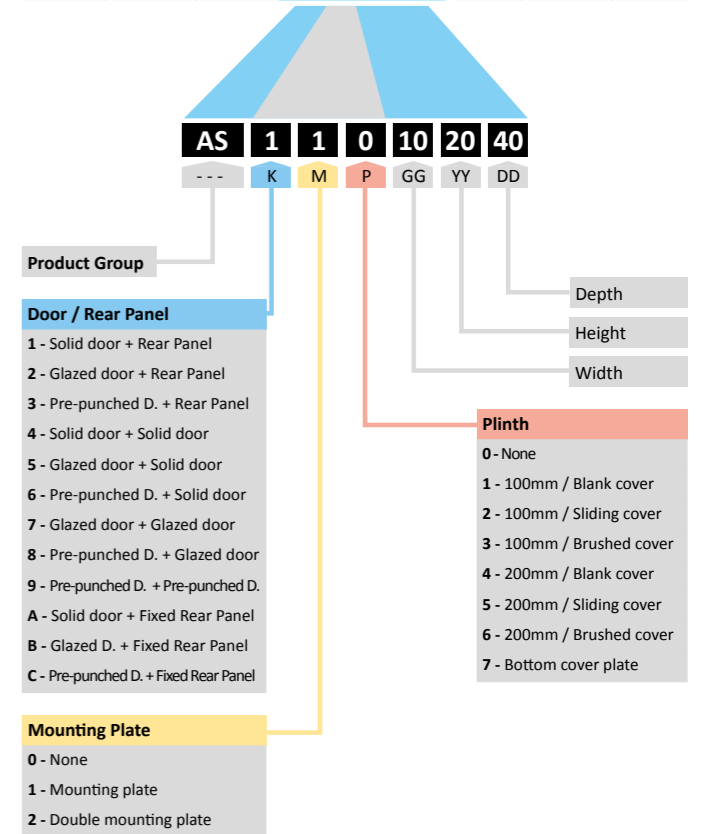
- Front and rear frame
- Door (Select = **K**)
- Rear panel (Select = **K**)
- Mounting plate (Option = **M**)
- Plinth (Option = **P**)
- Top cover
- 4/6 pcs side rails
- Door inside mounting profile

Complementary Accessories

- Side panel
- Eye bolt
- Rain canopy
- Cover plate and profiles
- Hinged cover plate
- Short mounting plate
- Partial mounting plate
- Infill mounting plate
- Carriage depth slide and support
- Partition profile
- L, U and Z profiles
- L and Z brackets
- Busbar & depth profile
- Ladder busbar profile
- Joining set
- Adjustable / pull out perforated shelf
- Plan pocket
- Plastic cover plate
- Earthing cable

Width	Height	Depth	Reference	Door	Hinge	Glazed Door
A	B	C		pcs	pcs	Y / N
mm	mm	mm				
400	1800	400	AS xxx 041840	1	3	✓
		500	AS xxx 041850	1	3	✓
		600	AS xxx 041860	1	3	✓
		800	AS xxx 041880	1	3	✓
	2000	400	AS xxx 042040	1	3	✓
		500	AS xxx 042050	1	3	✓
		600	AS xxx 042060	1	3	✓
		800	AS xxx 042080	1	3	✓
600	600	400	AS xxx 060640	1	2	✓
		500	AS xxx 060650	1	2	✓
	900	400	AS xxx 060940	1	2	✓
		500	AS xxx 060950	1	2	✓
	1200	400	AS xxx 061240	1	2	✓
		500	AS xxx 061250	1	2	✓
	1500	400	AS xxx 061540	1	3	✓
		500	AS xxx 061550	1	3	✓
		600	AS xxx 061560	1	3	✓
		800	AS xxx 061580	1	3	✓
	1800	400	AS xxx 061840	1	3	✓
		500	AS xxx 061850	1	3	✓
		600	AS xxx 061860	1	3	✓
		800	AS xxx 061880	1	3	✓
	2000	400	AS xxx 062040	1	3	✓
		500	AS xxx 062050	1	3	✓
600		AS xxx 062060	1	3	✓	
800		AS xxx 062080	1	3	✓	
800	600	400	AS xxx 080640	1	2	✓
		500	AS xxx 080650	1	2	✓
		600	AS xxx 080660	1	2	✓
	900	400	AS xxx 080940	1	2	✓
		500	AS xxx 080950	1	2	✓
	1200	400	AS xxx 081240	1	2	✓
		500	AS xxx 081250	1	2	✓
	1500	400	AS xxx 081540	1	3	✓
		500	AS xxx 081550	1	3	✓
	1800	400	AS xxx 081840	1	3	✓
		500	AS xxx 081850	1	3	✓
	2000	400	AS xxx 081860	1	3	✓
		500	AS xxx 081880	1	3	✓
	2000	400	AS xxx 082040	1	3	✓
			AS xxx 082050	1	3	✓
		500	AS xxx 082060	1	3	✓
			AS xxx 082080	1	3	✓

Width	Height	Depth	Reference	Door	Hinge	Glazed Door
A	B	C		pcs	pcs	Y / N
mm	mm	mm				
1000	1800	400	AS xxx 101840	2	3+3	-
		500	AS xxx 101850	2	3+3	-
		600	AS xxx 101860	2	3+3	-
		800	AS xxx 101880	2	3+3	-
	2000	400	AS xxx 102040	2	3+3	-
		500	AS xxx 102050	2	3+3	-
		600	AS xxx 102060	2	3+3	-
		800	AS xxx 102080	2	3+3	-
1200	1800	400	AS xxx 121840	2	3+3	-
		500	AS xxx 121850	2	3+3	-
		600	AS xxx 121860	2	3+3	-
	2000	400	AS xxx 121880	2	3+3	-
		400	AS xxx 122040	2	3+3	-
		500	AS xxx 122050	2	3+3	-
		600	AS xxx 122060	2	3+3	-
		800	AS xxx 122080	2	3+3	-



QUICK SELECTION TABLE

MODULAR ENCLOSURES



- K** →
- M** →
- P** →

Solid door + Rear Panel
--
--



Solid door + Rear Panel
Mounting Plate
Plinth - Blank Cover



Solid door + Fixed Rear Panel
Mounting Plate
200 mm Plinth - Blank Cover

Width	Height	Depth	Door	
A	B	C		
mm	mm	mm	pcs	
400	1800	400	1	
		600	1	
	2000	500	1	
		600	1	
600	600	600	1	
		900	1	
	1200	500	1	
		600	1	
	1500	400	1	
		600	1	
	1800	400	1	
		600	1	
		2000	500	1
			600	1
	800	600	600	1
			900	1
1200		500	1	
		600	1	
1500		400	1	
		600	1	
1800		500	1	
		600	1	
		2000	400	1
			500	1
1000		1800	500	2
			600	2
	2000	500	2	
		600	2	
1200	1800	500	2	
		600	2	
	2000	400	2	
		500	2	
		600	2	
		800	2	

Reference
AS 100 041840
AS 100 041860
AS 100 042050
AS 100 042060
AS 100 060660
AS 100 060960
AS 100 061250
AS 100 061260
AS 100 061540
AS 100 061560
AS 100 061840
AS 100 061860
AS 100 062050
AS 100 062060
AS 100 062080
AS 100 080660
AS 100 080960
AS 100 081250
AS 100 081260
AS 100 081540
AS 100 081560
AS 100 081850
AS 100 081860
AS 100 081880
AS 100 082040
AS 100 082050
AS 100 082060
AS 100 082080
AS 100 101850
AS 100 101860
AS 100 102050
AS 100 102060
AS 100 102080
AS 100 121850
AS 100 121860
AS 100 122040
AS 100 122050
AS 100 122060
AS 100 122080

Reference
AS 111 041840
AS 111 041860
AS 111 042050
AS 111 042060
AS 111 060660
AS 111 060960
AS 111 061250
AS 111 061260
AS 111 061540
AS 111 061560
AS 111 061840
AS 111 061860
AS 111 062050
AS 111 062060
AS 111 062080
AS 111 080660
AS 111 080960
AS 111 081250
AS 111 081260
AS 111 081540
AS 111 081560
AS 111 081850
AS 111 081860
AS 111 081880
AS 111 082040
AS 111 082050
AS 111 082060
AS 111 082080
AS 111 101850
AS 111 101860
AS 111 102050
AS 111 102060
AS 111 102080
AS 111 121850
AS 111 121860
AS 111 122040
AS 111 122050
AS 111 122060
AS 111 122080

Reference
AS A14 041840
AS A14 041860
AS A14 042050
AS A14 042060
AS A14 060660
AS A14 060960
AS A14 061250
AS A14 061260
AS A14 061540
AS A14 061560
AS A14 061840
AS A14 061860
AS A14 062050
AS A14 062060
AS A14 062080
AS A14 080660
AS A14 080960
AS A14 081250
AS A14 081260
AS A14 081540
AS A14 081560
AS A14 081850
AS A14 081860
AS A14 081880
AS A14 082040
AS A14 082050
AS A14 082060
AS A14 082080
AS A14 101850
AS A14 101860
AS A14 102050
AS A14 102060
AS A14 102080
AS A14 121850
AS A14 121860
AS A14 122040
AS A14 122050
AS A14 122060
AS A14 122080

QUICK SELECTION TABLE

MODULAR ENCLOSURES



Glazed door + Rear Panel
Mounting Plate
Plinth - Blank Cover



Solid Door + Solid Door
Double Mounting Plate
200 mm Plinth - Brushed Cover



Glazed Door + Solid Door
Double Mounting Plate
Plinth - Blank Cover



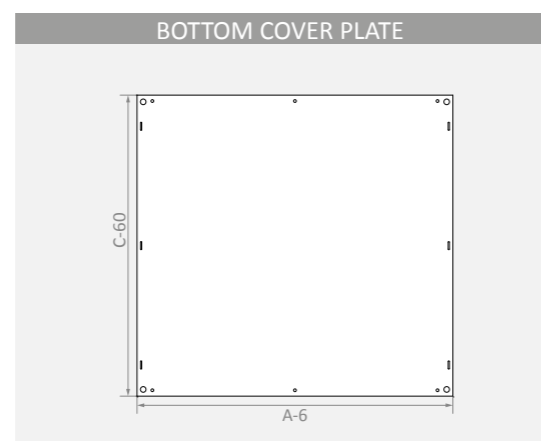
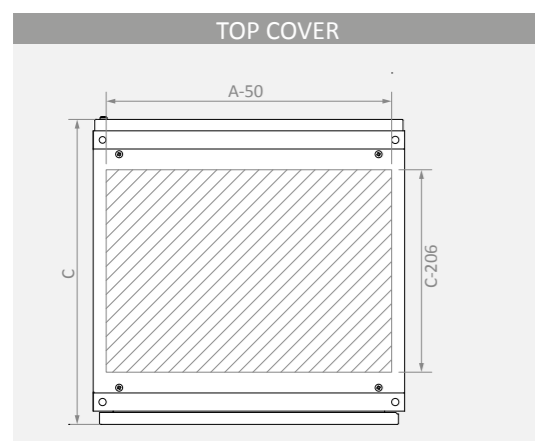
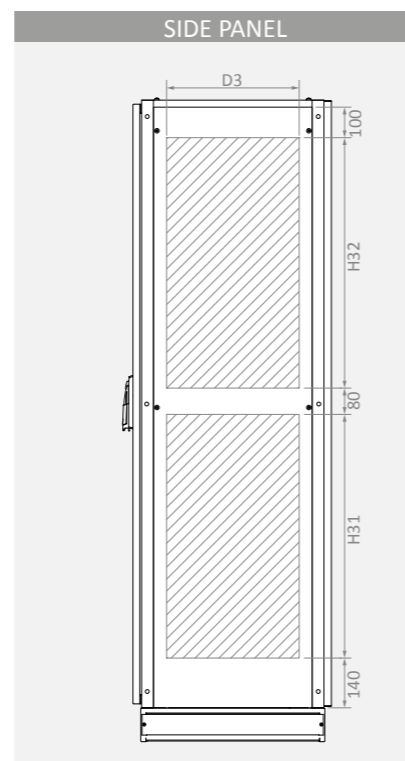
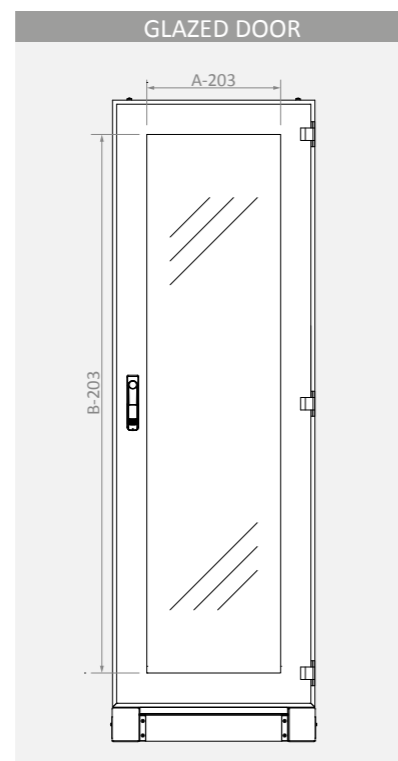
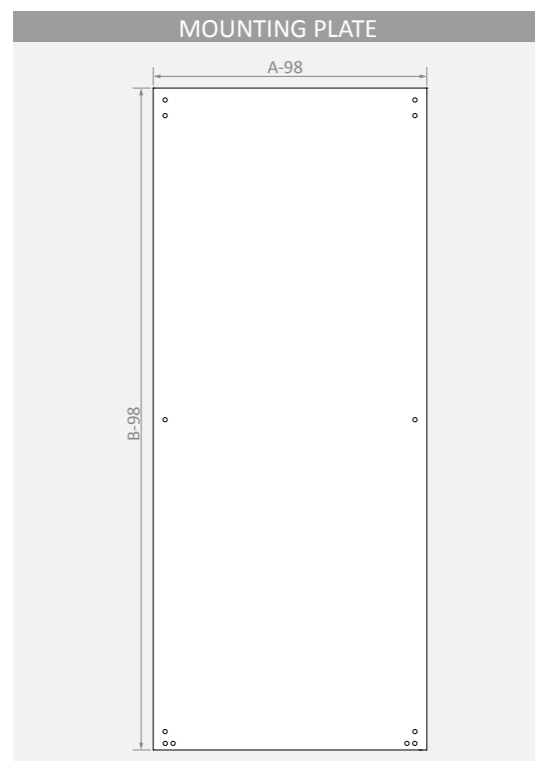
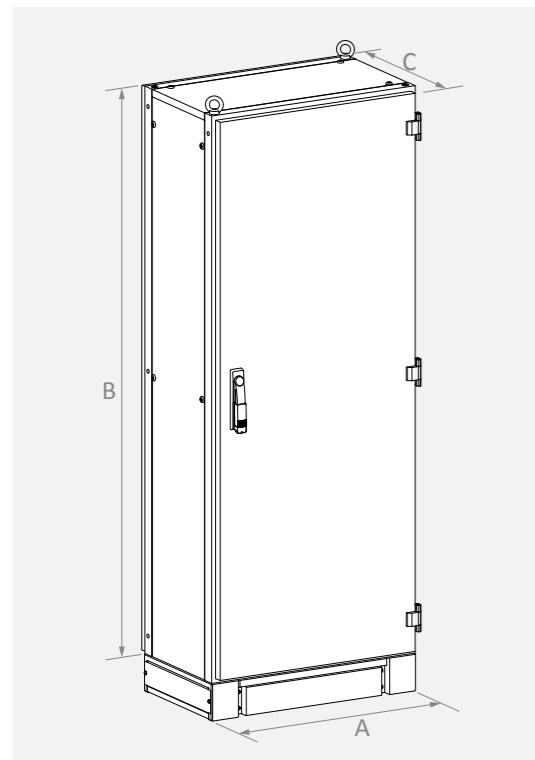
Solid Door + Yekpare Sirt
Mounting Plate
200 mm Plinth - Brushed Cover

Reference
AS 211 041840
AS 211 041860
AS 211 042050
AS 211 042060
AS 211 060660
AS 211 060960
AS 211 061250
AS 211 061260
AS 211 061540
AS 211 061560
AS 211 061840
AS 211 061860
AS 211 062050
AS 211 062060
AS 211 062080
AS 211 080660
AS 211 080960
AS 211 081250
AS 211 081260
AS 211 081540
AS 211 081560
AS 211 081850
AS 211 081860
AS 211 081880
AS 211 082040
AS 211 082050
AS 211 082060
AS 211 082080
-- --
-- --
-- --
-- --
-- --
-- --
-- --
-- --
-- --
-- --
-- --
-- --
-- --

Reference
AS 426 041840
AS 426 041860
AS 426 042050
AS 426 042060
AS 426 060660
AS 426 060960
AS 426 061250
AS 426 061260
AS 426 061540
AS 426 061560
AS 426 061840
AS 426 061860
AS 426 062050
AS 426 062060
AS 426 062080
AS 426 080660
AS 426 080960
AS 426 081250
AS 426 081260
AS 426 081540
AS 426 081560
AS 426 081850
AS 426 081860
AS 426 081880
AS 426 082040
AS 426 082050
AS 426 082060
AS 426 082080
AS 426 101850
AS 426 101860
AS 426 102050
AS 426 102060
AS 426 102080
AS 426 121850
AS 426 121860
AS 426 122040
AS 426 122050
AS 426 122060
AS 426 122080

Reference
AS 521 041840
AS 521 041860
AS 521 042050
AS 521 042060
AS 521 060660
AS 521 060960
AS 521 061250
AS 521 061260
AS 521 061540
AS 521 061560
AS 521 061840
AS 521 061860
AS 521 062050
AS 521 062060
AS 521 062080
AS 521 080660
AS 521 080960
AS 521 081250
AS 521 081260
AS 521 081540
AS 521 081560
AS 521 081850
AS 521 081860
AS 521 081880
AS 521 082040
AS 521 082050
AS 521 082060
AS 521 082080
-- --
-- --
-- --
-- --
-- --
-- --
-- --
-- --
-- --
-- --
-- --
-- --

Reference
AS A16 041840
AS A16 041860
AS A16 042050
AS A16 042060
AS A16 060660
AS A16 060960
AS A16 061250
AS A16 061260
AS A16 061540
AS A16 061560
AS A16 061840
AS A16 061860
AS A16 062050
AS A16 062060
AS A16 062080
AS A16 080660
AS A16 080960
AS A16 081250
AS A16 081260
AS A16 081540
AS A16 081560
AS A16 081850
AS A16 081860
AS A16 081880
AS A16 082040
AS A16 082050
AS A16 082060
AS A16 082080
AS A16 101850
AS A16 101860
AS A16 102050
AS A16 102060
AS A16 102080
AS A16 121850
AS A16 121860
AS A16 122040
AS A16 122050
AS A16 122060
AS A16 122080



Width A mm	Height B mm	Reference	Solid Door	Useful Area		Glazed Door	Apparent Area		Mounting Plate	Dimensions	
				↔ mm	↕ mm		↔ mm	↕ mm		↔ mm	↕ mm
400	1800	AS xxx 0418**	AS KP0418	220	1620	AS KPX0418	197	1597	AS TS0418	302	1702
	2000	AS xxx 0420**	AS KP0420	220	1820	AS KPX0420	197	1797	AS TS0420	302	1902
600	600	AS xxx 0606**	AS KP0606	420	420	AS KPX0606	397	397	AS TS0606	502	502
	900	AS xxx 0609**	AS KP0609	420	720	AS KPX0609	397	697	AS TS0609	502	802
	1200	AS xxx 0612**	AS KP0612	420	1020	AS KPX0612	397	997	AS TS0612	502	1102
	1500	AS xxx 0615**	AS KP0615	420	1320	AS KPX0615	397	1297	AS TS0615	502	1402
	1800	AS xxx 0618**	AS KP0618	420	1620	AS KPX0618	397	1597	AS TS0618	502	1702
800	2000	AS xxx 0620**	AS KP0620	420	1820	AS KPX0620	397	1797	AS TS0620	502	1902
	600	AS xxx 0806**	AS KP0806	620	420	AS KPX0806	597	397	AS TS0806	702	502
	900	AS xxx 0809**	AS KP0809	620	720	AS KPX0809	597	697	AS TS0809	702	802
	1200	AS xxx 0812**	AS KP0812	620	1020	AS KPX0812	597	997	AS TS0812	702	1102
	1500	AS xxx 0815**	AS KP0815	620	1320	AS KPX0815	597	1297	AS TS0815	702	1402
1000	1800	AS xxx 0818**	AS KP0818	620	1620	AS KPX0818	597	1597	AS TS0818	702	1702
	2000	AS xxx 0820**	AS KP0820	620	1820	AS KPX0820	597	1797	AS TS0820	702	1902
	1800	AS xxx 1018**	AS KP1018	320 + 320	1620	---	---	---	AS TS1018	902	1702
1200	2000	AS xxx 1020**	AS KP1020	320 + 320	1820	---	---	---	AS TS1020	902	1902
	1800	AS xxx 1218**	AS KP1218	420 + 420	1620	---	---	---	AS TS1218	1102	1702
1200	2000	AS xxx 1220**	AS KP1220	420 + 420	1820	---	---	---	AS TS1220	1102	1902

Height B mm	Depth C mm	Reference	Side Panel	Useful Area		
				D3 mm	H31 mm	H32 mm
600	400	AS xxx **0640	AS YS0640	194	340	-
	500	AS xxx **0650	AS YS0650	294	340	-
	600	AS xxx **0660	AS YS0660	394	340	-
900	400	AS xxx **0940	AS YS0940	194	640	-
	500	AS xxx **0950	AS YS0950	294	640	-
	600	AS xxx **0960	AS YS0960	394	640	-
1200	400	AS xxx **1240	AS YS1240	194	940	-
	500	AS xxx **1250	AS YS1250	294	940	-
	600	AS xxx **1260	AS YS1260	394	940	-
1500	400	AS xxx **1540	AS YS1540	194	580	580
	500	AS xxx **1550	AS YS1550	294	580	580
	600	AS xxx **1560	AS YS1560	394	580	580
1800	400	AS xxx **1840	AS YS1840	194	720	740
	500	AS xxx **1850	AS YS1850	294	720	740
	600	AS xxx **1860	AS YS1860	394	720	740
2000	800	AS xxx **1880	AS YS1880	594	720	740
	400	AS xxx **2040	AS YS2040	194	840	820
	500	AS xxx **2050	AS YS2050	294	840	820
2000	600	AS xxx **2060	AS YS2060	394	840	820
	800	AS xxx **2080	AS YS2080	594	840	820

Width A mm	Depth C mm	Reference	Top Cover	Useful Area		Bottom Cover Plate	Dimensions	
				↔ mm	↗ mm		↔ mm	↗ mm
400	400	AS xxx 04**40	AS TAV04040	350	194	AS BS0440	394	340
	500	AS xxx 04**50	AS TAV04050	350	294	AS BS0450	394	440
	600	AS xxx 04**60	AS TAV04060	350	394	AS BS0460	394	540
	800	AS xxx 04**80	AS TAV04080	350	594	AS BS0480	394	740
600	400	AS xxx 06**40	AS TAV06040	550	194	AS BS0640	594	340
	500	AS xxx 06**50	AS TAV06050	550	294	AS BS0650	594	440
	600	AS xxx 06**60	AS TAV06060	550	394	AS BS0660	594	540
	800	AS xxx 06**80	AS TAV06080	550	594	AS BS0680	594	740
800	400	AS xxx 08**40	AS TAV08040	750	194	AS BS0840	794	340
	500	AS xxx 08**50	AS TAV08050	750	294	AS BS0850	794	440
	600	AS xxx 08**60	AS TAV08060	750	394	AS BS0860	794	540
	800	AS xxx 08**80	AS TAV08080	750	594	AS BS0880	794	740
1000	400	AS xxx 10**40	AS TAV10040	950	194	AS BS1040	994	340
	500	AS xxx 10**50	AS TAV10050	950	294	AS BS1050	994	440
	600	AS xxx 10**60	AS TAV10060	950	394	AS BS1060	994	540
	800	AS xxx 10**80	AS TAV10080	950	594	AS BS1080	994	740
1200	400	AS xxx 12**40	AS TAV12040	1150	194	AS BS1240	1194	340
	500	AS xxx 12**50	AS TAV12050	1150	294	AS BS1250	1194	440
	600	AS xxx 12**60	AS TAV12060	1150	394	AS BS1260	1194	540
	800	AS xxx 12**80	AS TAV12080	1150	594	AS BS1280	1194	740

Characteristics

Material

Sheet Steel (EN 10130 DC01)

- Frame : 1.5 mm
- Panel : 1.5 mm
- Door : 2 mm
- Plinth : 2 mm

Galvanized Steel (EN 10346 DX51D+Z)

- Mounting plate : 2 mm

Surface Finishing

- RAL7035w powder coating

IP Rating

- IP55 (TS 3033, EN 60529)

Others

- Welded frame construction
- Foamed-in door/rear panel PU sealing gasket
- Swing-handle polyamide lock (4 points locking, 333 key)
- Concealed hinge
- Door and panel options for rear side
- Multiple mounting plate possibility
- The modular construction can be join
- Removable side panels
- Plinth and cover options



On Request

- Special sizes
- Special colour
- Pre-punching
- Flat pack options



Supply Includes

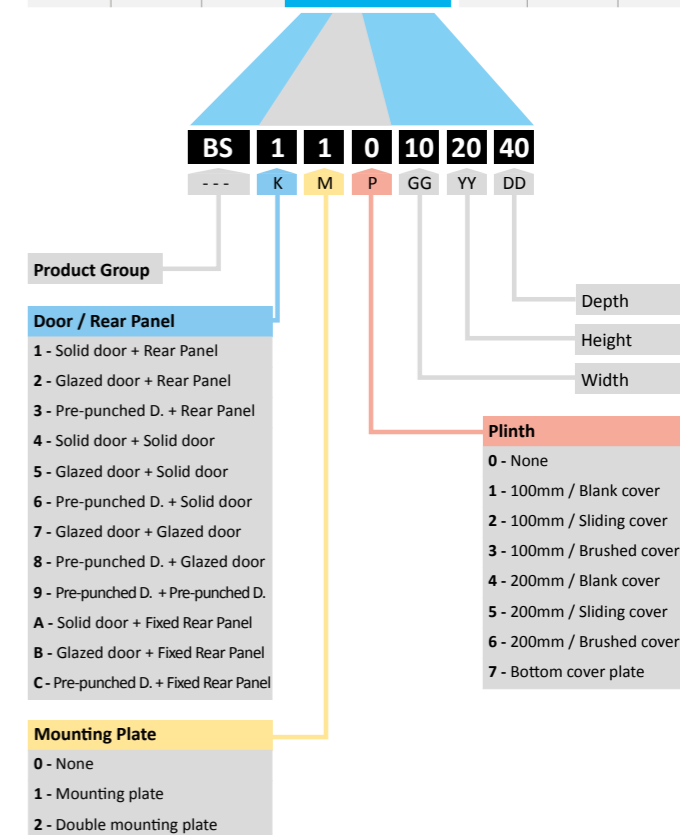
- Front and rear frame
- Door (Select = **K**)
- Rear panel (Select = **K**)
- Mounting plate (Option = **M**)
- Plinth (Option = **P**)
- Top cover
- 4/6 pcs side rails

Complementary Accessories

- Side panel
- Eye bolt
- Rain canopy
- Door inside mounting profile
- Cover plate and profiles
- Hinged cover plate
- Short mounting plate
- Partial mounting plate
- Infill mounting plate
- Carriage depth slide and support
- Partition profile
- L, U and Z profiles
- L and Z brackets
- Busbar & depth profile
- Ladder busbar profile
- Joining set
- Adjustable / pull out perforated shelf
- Plan pocket
- Plastic cover plate
- Earthing cable
- Door interlock system for joined enclosures

Width	Height	Depth	Reference	Door	Hinge	Glazed Door	
A	B	C					
mm	mm	mm		pcs	pcs	Y / N	
400	1800	400	BS xxx 041840	1	3	✓	
		500	BS xxx 041850	1	3	✓	
		600	BS xxx 041860	1	3	✓	
		800	BS xxx 041880	1	3	✓	
	2000	400	BS xxx 042040	1	3	✓	
		500	BS xxx 042050	1	3	✓	
		600	BS xxx 042060	1	3	✓	
		800	BS xxx 042080	1	3	✓	
600	1500	400	BS xxx 061540	1	3	✓	
		500	BS xxx 061550	1	3	✓	
		600	BS xxx 061560	1	3	✓	
	1800	400	BS xxx 061840	1	3	✓	
		500	BS xxx 061850	1	3	✓	
		600	BS xxx 061860	1	3	✓	
	2000	400	BS xxx 061880	1	3	✓	
		500	BS xxx 062040	1	3	✓	
		600	BS xxx 062050	1	3	✓	
	800	1500	400	BS xxx 081540	1	3	✓
			500	BS xxx 081550	1	3	✓
			600	BS xxx 081560	1	3	✓
1800		400	BS xxx 081840	1	3	✓	
		500	BS xxx 081850	1	3	✓	
		600	BS xxx 081860	1	3	✓	
2000		400	BS xxx 081880	1	3	✓	
		500	BS xxx 082040	1	3	✓	
		600	BS xxx 082050	1	3	✓	
2000		400	BS xxx 082060	1	3	✓	
		600	BS xxx 082080	1	3	✓	
		800	BS xxx 082080	1	3	✓	

Width	Height	Depth	Reference	Door	Hinge	Glazed Door
A	B	C				
mm	mm	mm		pcs	pcs	Y / N
1000	1800	400	BS xxx 101840	2	3+3	-
		500	BS xxx 101850	2	3+3	-
		600	BS xxx 101860	2	3+3	-
		800	BS xxx 101880	2	3+3	-
	2000	400	BS xxx 102040	2	3+3	-
		500	BS xxx 102050	2	3+3	-
		600	BS xxx 102060	2	3+3	-
		800	BS xxx 102080	2	3+3	-
1200	1800	400	BS xxx 121840	2	3+3	-
		500	BS xxx 121850	2	3+3	-
		600	BS xxx 121860	2	3+3	-
	2000	400	BS xxx 121880	2	3+3	-
		500	BS xxx 122040	2	3+3	-
		600	BS xxx 122050	2	3+3	-
	2000	400	BS xxx 122060	2	3+3	-
		600	BS xxx 122080	2	3+3	-
		800	BS xxx 122080	2	3+3	-





K →
M →
P →

Solid Door + Rear Panel
-- --
-- --

Solid Door + Rear Panel
-- --
100 mm Plinth - Blank Cover

Solid Door + Rear Panel
Mounting Plate
100 mm Plinth - Blank Cover

Solid Door + Rear Panel
Mounting Plate
200 mm Plinth - Blank Cover

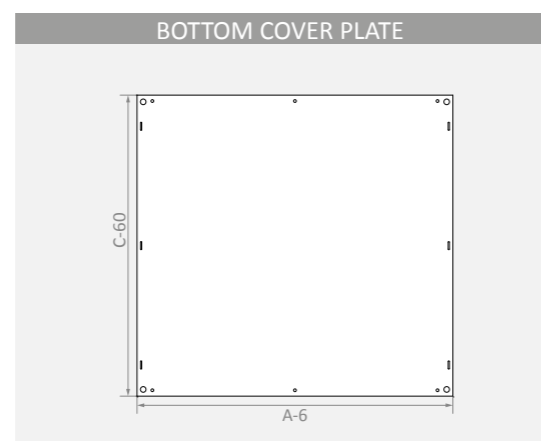
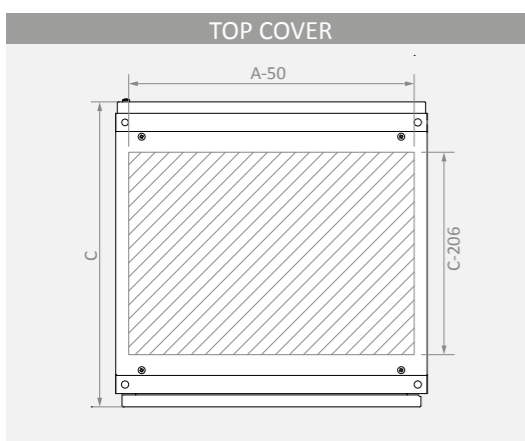
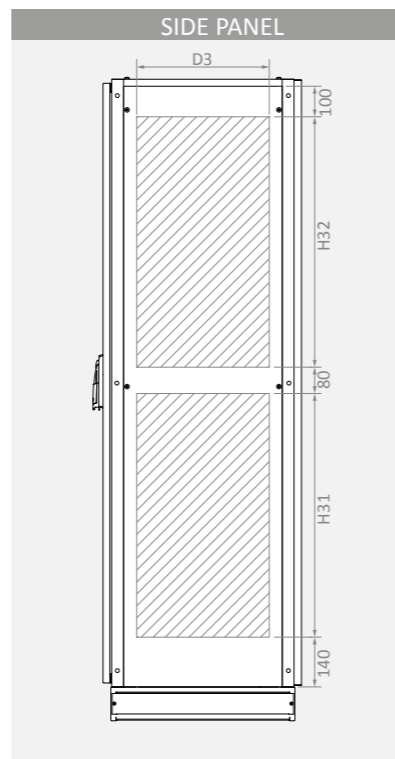
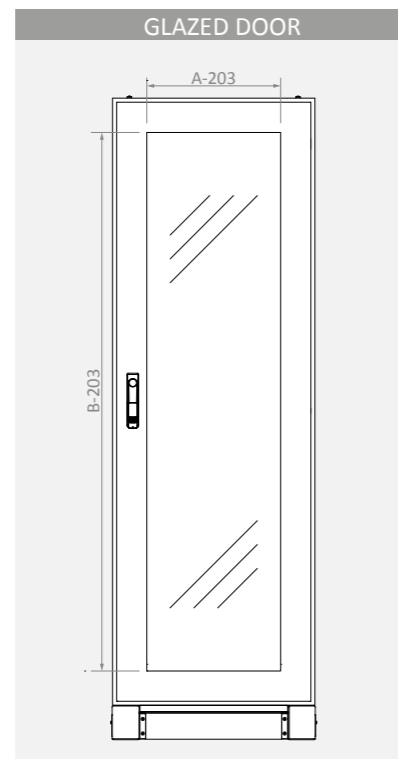
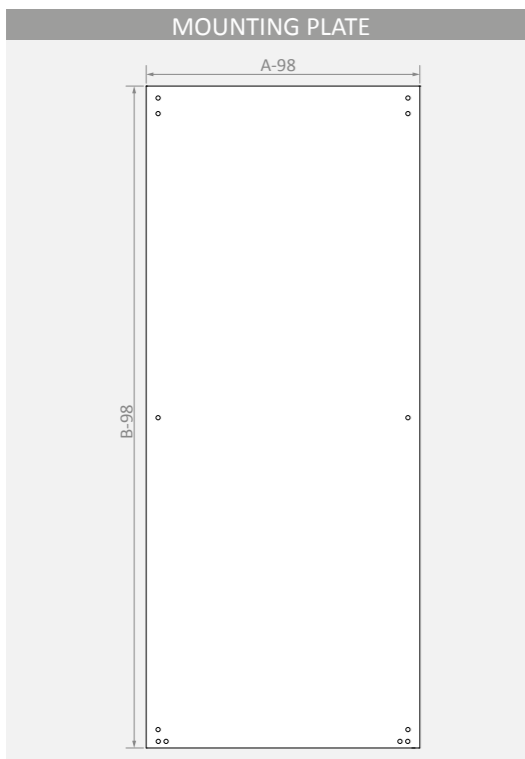
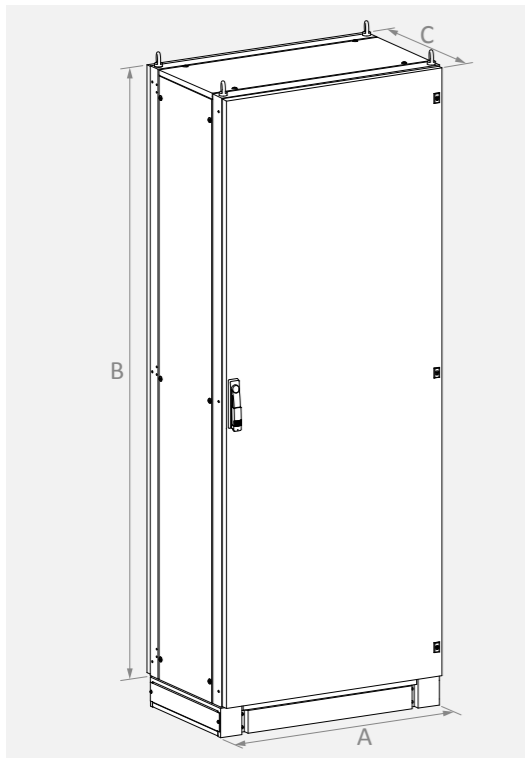
Glazed Door + Rear Panel
Mounting Plate
100 mm Plinth - Blank Cover

Solid Door + Solid Door
Double Mounting Plate
200 mm Plinth - Brushed Cover

Glazed Door + Solid Door
Double Mounting Plate
100 mm Plinth - Blank Cover

Width	Height	Depth	Door	Reference			
				A	B	C	
mm	mm	mm	pcs				
400	1800	400	1	BS 100 041840	BS 101 041840	BS 111 041840	
		500	1	BS 100 041850	BS 101 041850	BS 111 041850	
		600	1	BS 100 041860	BS 101 041860	BS 111 041860	
		800	1	BS 100 041880	BS 101 041880	BS 111 041880	
	2000	400	1	BS 100 042040	BS 101 042040	BS 111 042040	
		500	1	BS 100 042050	BS 101 042050	BS 111 042050	
		600	1	BS 100 042060	BS 101 042060	BS 111 042060	
		800	1	BS 100 042080	BS 101 042080	BS 111 042080	
600	1500	400	1	BS 100 061540	BS 101 061540	BS 111 061540	
		500	1	BS 100 061550	BS 101 061550	BS 111 061550	
		600	1	BS 100 061560	BS 101 061560	BS 111 061560	
	1800	400	1	BS 100 061840	BS 101 061840	BS 111 061840	
		500	1	BS 100 061850	BS 101 061850	BS 111 061850	
		600	1	BS 100 061860	BS 101 061860	BS 111 061860	
	2000	1800	800	1	BS 100 061880	BS 101 061880	BS 111 061880
			400	1	BS 100 062040	BS 101 062040	BS 111 062040
			500	1	BS 100 062050	BS 101 062050	BS 111 062050
		2000	600	1	BS 100 062060	BS 101 062060	BS 111 062060
			800	1	BS 100 062080	BS 101 062080	BS 111 062080
			400	1	BS 100 062040	BS 101 062040	BS 111 062040
800	1500	400	1	BS 100 081540	BS 101 081540	BS 111 081540	
		500	1	BS 100 081550	BS 101 081550	BS 111 081550	
		600	1	BS 100 081560	BS 101 081560	BS 111 081560	
	1800	400	1	BS 100 081840	BS 101 081840	BS 111 081840	
		500	1	BS 100 081850	BS 101 081850	BS 111 081850	
		600	1	BS 100 081860	BS 101 081860	BS 111 081860	
	2000	1800	800	1	BS 100 081880	BS 101 081880	BS 111 081880
			400	1	BS 100 082040	BS 101 082040	BS 111 082040
			500	1	BS 100 082050	BS 101 082050	BS 111 082050
		2000	600	1	BS 100 082060	BS 101 082060	BS 111 082060
			800	1	BS 100 082080	BS 101 082080	BS 111 082080
			400	1	BS 100 082040	BS 101 082040	BS 111 082040
1000	1800	400	2	BS 100 101840	BS 101 101840	BS 111 101840	
		500	2	BS 100 101850	BS 101 101850	BS 111 101850	
		600	2	BS 100 101860	BS 101 101860	BS 111 101860	
		800	2	BS 100 101880	BS 101 101880	BS 111 101880	
	2000	400	2	BS 100 102040	BS 101 102040	BS 111 102040	
		500	2	BS 100 102050	BS 101 102050	BS 111 102050	
		600	2	BS 100 102060	BS 101 102060	BS 111 102060	
		800	2	BS 100 102080	BS 101 102080	BS 111 102080	
1200	1800	400	2	BS 100 121840	BS 101 121840	BS 111 121840	
		500	2	BS 100 121850	BS 101 121850	BS 111 121850	
		600	2	BS 100 121860	BS 101 121860	BS 111 121860	
		800	2	BS 100 121880	BS 101 121880	BS 111 121880	
	2000	400	2	BS 100 122040	BS 101 122040	BS 111 122040	
		500	2	BS 100 122050	BS 101 122050	BS 111 122050	
		600	2	BS 100 122060	BS 101 122060	BS 111 122060	
		800	2	BS 100 122080	BS 101 122080	BS 111 122080	

Width	Height	Depth	Door	Reference			
				A	B	C	
mm	mm	mm	pcs				
400	1800	400	1	BS 114 041840	BS 211 041840	BS 426 041840	
		500	1	BS 114 041850	BS 211 041850	BS 426 041850	
		600	1	BS 114 041860	BS 211 041860	BS 426 041860	
		800	1	BS 114 041880	BS 211 041880	BS 426 041880	
	2000	400	1	BS 114 042040	BS 211 042040	BS 426 042040	
		500	1	BS 114 042050	BS 211 042050	BS 426 042050	
		600	1	BS 114 042060	BS 211 042060	BS 426 042060	
		800	1	BS 114 042080	BS 211 042080	BS 426 042080	
600	1500	400	1	BS 114 061540	BS 211 061540	BS 426 061540	
		500	1	BS 114 061550	BS 211 061550	BS 426 061550	
		600	1	BS 114 061560	BS 211 061560	BS 426 061560	
	1800	400	1	BS 114 061840	BS 211 061840	BS 426 061840	
		500	1	BS 114 061850	BS 211 061850	BS 426 061850	
		600	1	BS 114 061860	BS 211 061860	BS 426 061860	
	2000	1800	800	1	BS 114 061880	BS 211 061880	BS 426 061880
			400	1	BS 114 062040	BS 211 062040	BS 426 062040
			500	1	BS 114 062050	BS 211 062050	BS 426 062050
		2000	600	1	BS 114 062060	BS 211 062060	BS 426 062060
			800	1	BS 114 062080	BS 211 062080	BS 426 062080
			400	1	BS 114 062040	BS 211 062040	BS 426 062040
800	1500	400	1	BS 114 081540	BS 211 081540	BS 426 081540	
		500	1	BS 114 081550	BS 211 081550	BS 426 081550	
		600	1	BS 114 081560	BS 211 081560	BS 426 081560	
	1800	400	1	BS 114 081840	BS 211 081840	BS 426 081840	
		500	1	BS 114 081850	BS 211 081850	BS 426 081850	
		600	1	BS 114 081860	BS 211 081860	BS 426 081860	
	2000	1800	800	1	BS 114 081880	BS 211 081880	BS 426 081880
			400	1	BS 114 082040	BS 211 082040	BS 426 082040
			500	1	BS 114 082050	BS 211 082050	BS 426 082050
		2000	600	1	BS 114 082060	BS 211 082060	BS 426 082060
			800	1	BS 114 082080	BS 211 082080	BS 426 082080
			400	1	BS 114 082040	BS 211 082040	BS 426 082040
1000	1800	400	2	BS 114 101840	---	BS 426 101840	
		500	2	BS 114 101850	---	BS 426 101850	
		600	2	BS 114 101860	---	BS 426 101860	
		800	2	BS 114 101880	---	BS 426 101880	
	2000	400	2	BS 114 102040	---	BS 426 102040	
		500	2	BS 114 102050	---	BS 426 102050	
		600	2	BS 114 102060	---	BS 426 102060	
		800	2	BS 114 102080	---	BS 426 102080	
1200	1800	400	2	BS 114 121840	---	BS 426 121840	
		500	2	BS 114 121850	---	BS 426 121850	
		600	2	BS 114 121860	---	BS 426 121860	
		800	2	BS 114 121880	---	BS 426 121880	
	2000	400	2	BS 114 122040	---	BS 426 122040	
		500	2	BS 114 122050	---	BS 426 122050	
		600	2	BS 114 122060	---	BS 426 122060	
		800	2	BS 114 122080	---	BS 426 122080	



Width A mm	Height B mm	Reference	Solid Door	Useful Area		Glazed Door	Apparent Area		Mounting Plate	Dimensions	
				↔ mm	↕ mm		↔ mm	↕ mm		↔ mm	↕ mm
400	1800	BS xxx 0418**	BS KP0418	220	1620	BS KPX0418	197	1597	AS TS0418	302	1702
	2000	BS xxx 0420**	BS KP0420	220	1820	BS KPX0420	197	1797	AS TS0420	302	1902
600	1500	BS xxx 0615**	BS KP0615	420	1320	BS KPX0615	397	1297	AS TS0615	502	1402
	1800	BS xxx 0618**	BS KP0618	420	1620	BS KPX0618	397	1597	AS TS0618	502	1702
	2000	BS xxx 0620**	BS KP0620	420	1820	BS KPX0620	397	1797	AS TS0620	502	1902
800	1500	BS xxx 0815**	BS KP0815	620	1320	BS KPX0815	597	1297	AS TS0815	702	1402
	1800	BS xxx 0818**	BS KP0818	620	1620	BS KPX0818	597	1597	AS TS0818	702	1702
	2000	BS xxx 0820**	BS KP0820	620	1820	BS KPX0820	597	1797	AS TS0820	702	1902
1000	1800	BS xxx 1018**	BS KP1018	320 + 320	1620	---	---	---	AS TS1018	902	1702
	2000	BS xxx 1020**	BS KP1020	320 + 320	1820	---	---	---	AS TS1020	902	1902
1200	1800	BS xxx 1218**	BS KP1218	420 + 420	1620	---	---	---	AS TS1218	1102	1702
	2000	BS xxx 1220**	BS KP1220	420 + 420	1820	---	---	---	AS TS1220	1102	1902

Height B mm	Depth C mm	Reference	Side Panel	Useful Area		
				D3 mm	H31 mm	H32 mm
1500	400	BS xxx **1540	BS YS1540	195	580	580
	500	BS xxx **1550	BS YS1550	295	580	580
	600	BS xxx **1560	BS YS1560	395	580	580
1800	400	BS xxx **1840	BS YS1840	195	720	740
	500	BS xxx **1850	BS YS1850	295	720	740
	600	BS xxx **1860	BS YS1860	395	720	740
	800	BS xxx **1880	BS YS1880	595	720	740
2000	400	BS xxx **2040	BS YS2040	195	840	820
	500	BS xxx **2050	BS YS2050	295	840	820
	600	BS xxx **2060	BS YS2060	395	840	820
	800	BS xxx **2080	BS YS2080	595	840	820

Width A mm	Depth C mm	Reference	Top Cover	Useful Area		Bottom Cover Plate	Dimensions	
				↔ mm	↗ mm		↔ mm	↕ mm
400	400	BS xxx 04**40	BS TAV04040	350	194	AS BS0440	394	340
	500	BS xxx 04**50	BS TAV04050	350	294	AS BS0450	394	440
	600	BS xxx 04**60	BS TAV04060	350	394	AS BS0460	394	540
	800	BS xxx 04**80	BS TAV04080	350	594	AS BS0480	394	740
600	400	BS xxx 06**40	BS TAV06040	550	194	AS BS0640	594	340
	500	BS xxx 06**50	BS TAV06050	550	294	AS BS0650	594	440
	600	BS xxx 06**60	BS TAV06060	550	394	AS BS0660	594	540
	800	BS xxx 06**80	BS TAV06080	550	594	AS BS0680	594	740
800	400	BS xxx 08**40	BS TAV08040	750	194	AS BS0840	794	340
	500	BS xxx 08**50	BS TAV08050	750	294	AS BS0850	794	440
	600	BS xxx 08**60	BS TAV08060	750	394	AS BS0860	794	540
	800	BS xxx 08**80	BS TAV08080	750	594	AS BS0880	794	740
1000	400	BS xxx 10**40	BS TAV10040	950	194	AS BS1040	994	340
	500	BS xxx 10**50	BS TAV10050	950	294	AS BS1050	994	440
	600	BS xxx 10**60	BS TAV10060	950	394	AS BS1060	994	540
	800	BS xxx 10**80	BS TAV10080	950	594	AS BS1080	994	740
1200	400	BS xxx 12**40	BS TAV12040	1150	194	AS BS1240	1194	340
	500	BS xxx 12**50	BS TAV12050	1150	294	AS BS1250	1194	440
	600	BS xxx 12**60	BS TAV12060	1150	394	AS BS1260	1194	540
	800	BS xxx 12**80	BS TAV12080	1150	594	AS BS1280	1194	740

Characteristics

Material

- Sheet Steel (EN 10130 DC01)
- Frame : 1.5 mm
- Panel : 1.5 mm
- Door : 2 mm
- Plinth : 2 mm
- Galvanized Steel (EN 10346 DX51D+Z)
- Mounting plate : 2 mm

Surface Finishing

- RAL7035w powder coating

IP Rating

- IP55 (TS 3033, EN 60529)

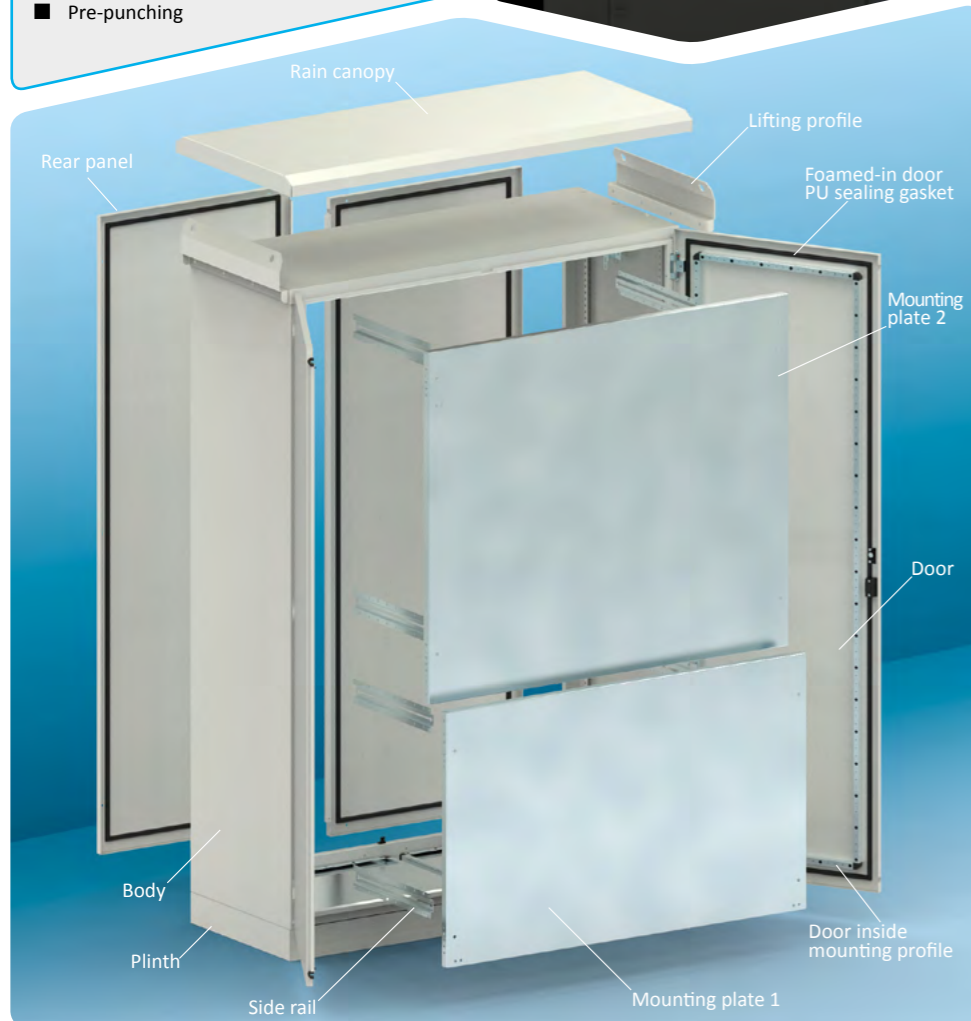
Others

- Foamed-in door/rear panel PU sealing gasket
- Swing-handle polyamide lock (3 points locking, 333 key)
- Concealed hinge
- Door and panel options for rear side
- Multiple mounting plate possibility
- Plinth and cover options



On Request

- Special sizes
- Special colour
- Pre-punching



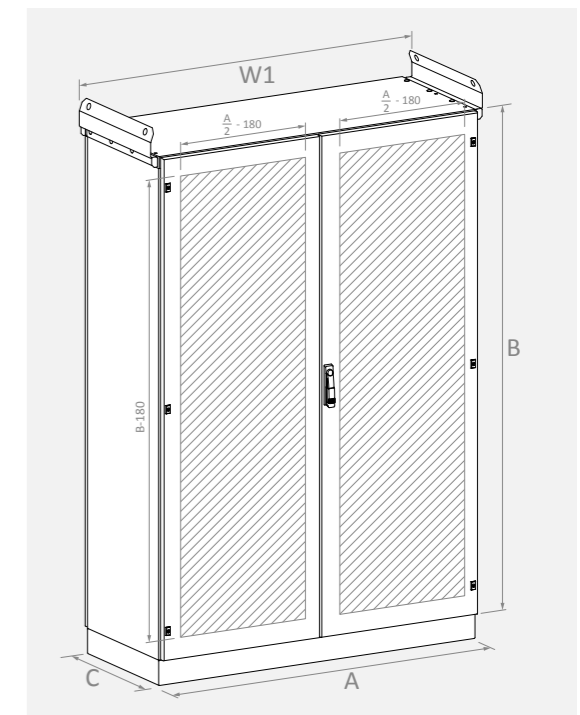
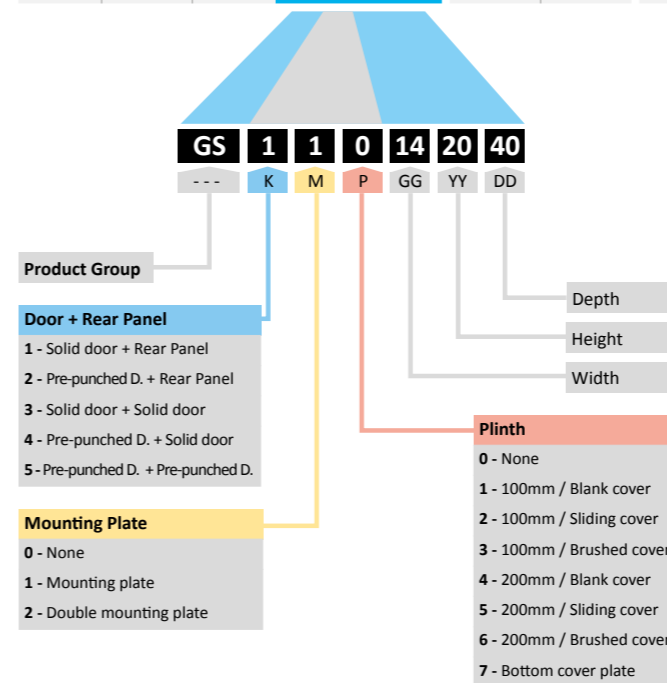
Supply Includes

- Body
- Door (Select = **K**)
- Rear panel (Select = **K**)
- Mounting plate (Option = **M**)
- Plinth (Option = **P**)
- 8 pcs side rails
- Lifting profile

Complementary Accessories

- Rain canopy
- Door inside mounting profile
- Partial mounting plate
- Carriage depth slide and support
- L, U and Z profiles
- L and Z brackets
- Busbar & depth profile
- Ladder busbar profile
- Plan pocket
- Earthing cable

Width A	Height B	Depth C	Reference	Door pcs	Hinge pcs	External width W1 mm	Useful Area			
							Door		Rear Panel	
mm	mm	mm				↔ mm	↕ mm	↔ mm	↕ mm	
1400	1800	400	GS xxx 141840	2	3+3	1475	520 + 520	1620	600 + 600	1700
		500	GS xxx 141850	2	3+3	1475	520 + 520	1620	600 + 600	1700
		600	GS xxx 141860	2	3+3	1475	520 + 520	1620	600 + 600	1700
		800	GS xxx 141880	2	3+3	1475	520 + 520	1620	600 + 600	1700
	2000	400	GS xxx 142040	2	3+3	1475	520 + 520	1820	600 + 600	1900
		500	GS xxx 142050	2	3+3	1475	520 + 520	1820	600 + 600	1900
		600	GS xxx 142060	2	3+3	1475	520 + 520	1820	600 + 600	1900
		800	GS xxx 142080	2	3+3	1475	520 + 520	1820	600 + 600	1900
1600	1800	400	GS xxx 161840	2	3+3	1675	620 + 620	1620	700 + 700	1700
		500	GS xxx 161850	2	3+3	1675	620 + 620	1620	700 + 700	1700
		600	GS xxx 161860	2	3+3	1675	620 + 620	1620	700 + 700	1700
		800	GS xxx 161880	2	3+3	1675	620 + 620	1620	700 + 700	1700
	2000	400	GS xxx 162040	2	3+3	1675	620 + 620	1820	700 + 700	1900
		500	GS xxx 162050	2	3+3	1675	620 + 620	1820	700 + 700	1900
		600	GS xxx 162060	2	3+3	1675	620 + 620	1820	700 + 700	1900
		800	GS xxx 162080	2	3+3	1675	620 + 620	1820	700 + 700	1900



Width A	Height B	Depth C	Reference	Mounting Plate 1		Mounting Plate 2	
				↔ mm	↕ mm	↔ mm	↕ mm
1400	1800	400	GS xxx 141840	1300	600	1300	1100
		500	GS xxx 141850	1300	600	1300	1100
		600	GS xxx 141860	1300	600	1300	1100
		800	GS xxx 141880	1300	600	1300	1100
	2000	400	GS xxx 142040	1300	800	1300	1100
		500	GS xxx 142050	1300	800	1300	1100
		600	GS xxx 142060	1300	800	1300	1100
		800	GS xxx 142080	1300	800	1300	1100
1600	1800	400	GS xxx 161840	1500	600	1500	1100
		500	GS xxx 161850	1500	600	1500	1100
		600	GS xxx 161860	1500	600	1500	1100
		800	GS xxx 161880	1500	600	1500	1100
	2000	400	GS xxx 162040	1500	800	1500	1100
		500	GS xxx 162050	1500	800	1500	1100
		600	GS xxx 162060	1500	800	1500	1100
		800	GS xxx 162080	1500	800	1500	1100

Characteristics

- Material**
- Sheet Steel (EN 10130 DC01)
 - Body : 1.5 mm
 - Door : 2 mm
 - Plinth : 2 mm
 - Galvanized Steel (EN 10346 DX51D+Z)
 - Mounting plate : 2 mm
- Surface Finishing**
- RAL7035w powder coating
- IP Rating**
- IP65 (TS 3033, EN 60529)
- Others**
- 10 folded and welded monobloc body
 - Foamed-in door PU sealing gasket
 - Swing-handle polyamide lock (3 points locking, 333 key)
 - Concealed hinge
 - Multiple mounting plate possibility
 - Plinth and cover options



On Request

- Special sizes
- Special colour
- Pre-punching
- Glazed door



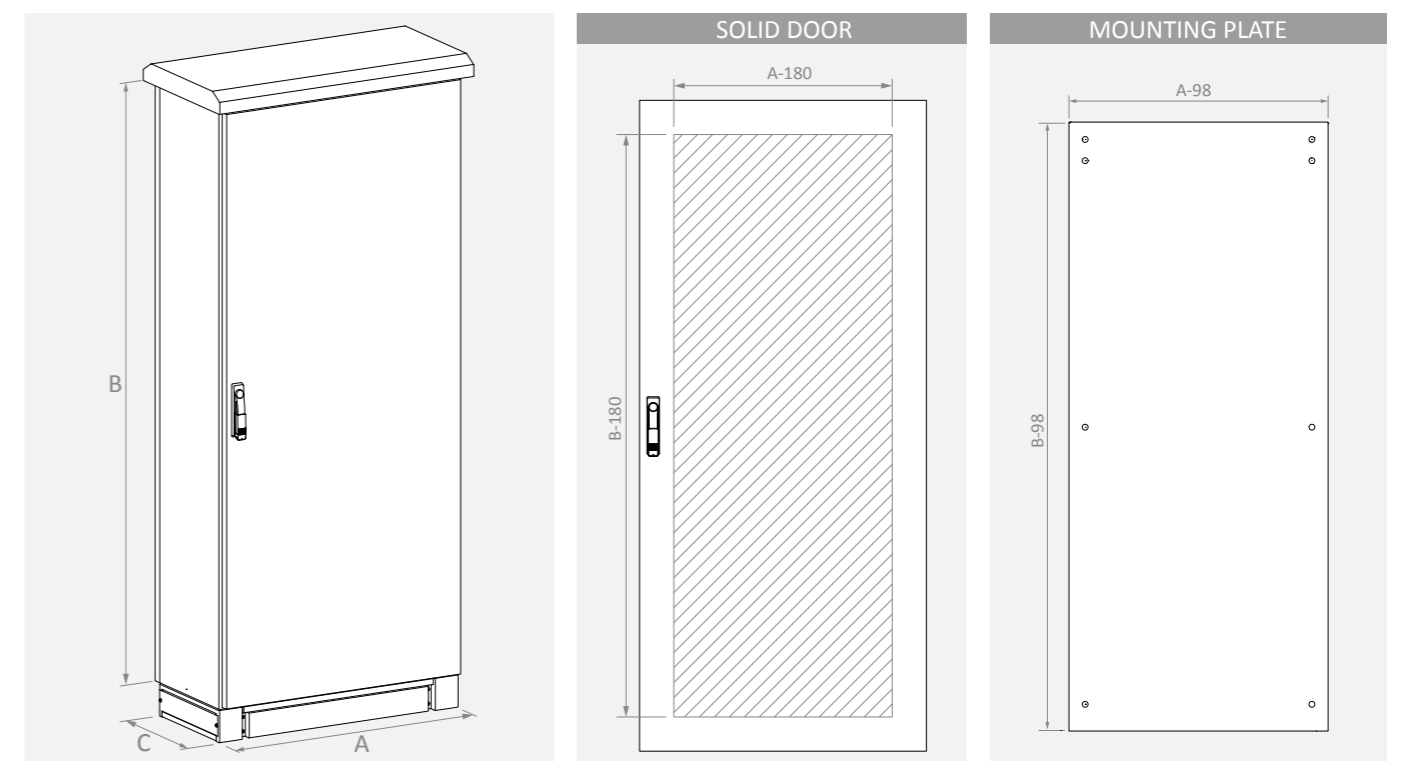
Supply Includes

- Body
- Door
- Rear panel
- Mounting plate
- Plinth
- 4/6 pcs side rails

Complementary Accessories

- Rain canopy
- Door inside mounting profile
- Partial mounting plate
- Carriage depth slide and support
- L, U and Z profiles
- L and Z brackets
- Plan pocket
- Earthing cable

Width A	Height B	Depth C	Reference	Door pcs	Hinge pcs	Door Useful Area		Mounting Plate	
						↔ mm	↕ mm	↔ mm	↕ mm
600	600	400	MS 060640	1	3	420	420	502	502
	900	400	MS 060940	1	3	420	720	502	802
	1200	400	MS 061240	1	3	420	1020	502	1102
	1500	400	MS 061540	1	3	420	1320	502	1402
		500	MS 061550	1	3	420	1320	502	1402
		600	MS 061560	1	3	420	1320	502	1402
	1800	400	MS 061840	1	3	420	1620	502	1702
		500	MS 061850	1	3	420	1620	502	1702
		600	MS 061860	1	3	420	1620	502	1702
	2000	400	MS 062040	1	3	420	1820	502	1902
		500	MS 062050	1	3	420	1820	502	1902
		600	MS 062060	1	3	420	1820	502	1902
800	600	400	MS 080640	1	3	620	420	702	502
	900	400	MS 080940	1	3	620	720	702	802
	1200	400	MS 081240	1	3	620	1020	702	1102
	1500	400	MS 081540	1	3	620	1320	702	1402
		500	MS 081550	1	3	620	1320	702	1402
		600	MS 081560	1	3	620	1320	702	1402
	1800	400	MS 081840	1	3	620	1620	702	1702
		500	MS 081850	1	3	620	1620	702	1702
		600	MS 081860	1	3	620	1620	702	1702
	2000	400	MS 082040	1	3	620	1820	702	1902
		500	MS 082050	1	3	620	1820	702	1902
		600	MS 082060	1	3	620	1820	702	1902
1000	1800	400	MS 101840	1	3	820	1620	902	1702
		500	MS 101850	1	3	820	1620	902	1702
		600	MS 101860	1	3	820	1620	902	1702
	2000	400	MS 102040	1	3	820	1820	902	1902
		500	MS 102050	1	3	820	1820	902	1902
		600	MS 102060	1	3	820	1820	902	1902



Characteristics

Material

- Sheet Steel (EN 10130 DC01)
 - Body : 1.5 mm
 - Door : 2 mm
 - Plinth : 2 mm
- Galvanized Steel (EN 10346 DX51D+Z)
 - Mounting plate : 2 mm

Surface Finishing

- RAL7035w powder coating

IP Rating

- IP65 (TS 3033, EN 60529)

Others

- Welded frame construction
- Foamed-in door PU sealing gasket
- Swing-handle polyamide lock (3 points locking, 333 key)
- Concealed hinge
- Plinth and cover options



On Request

- Special sizes
- Special colour
- Pre-punching
- Special mounting plate



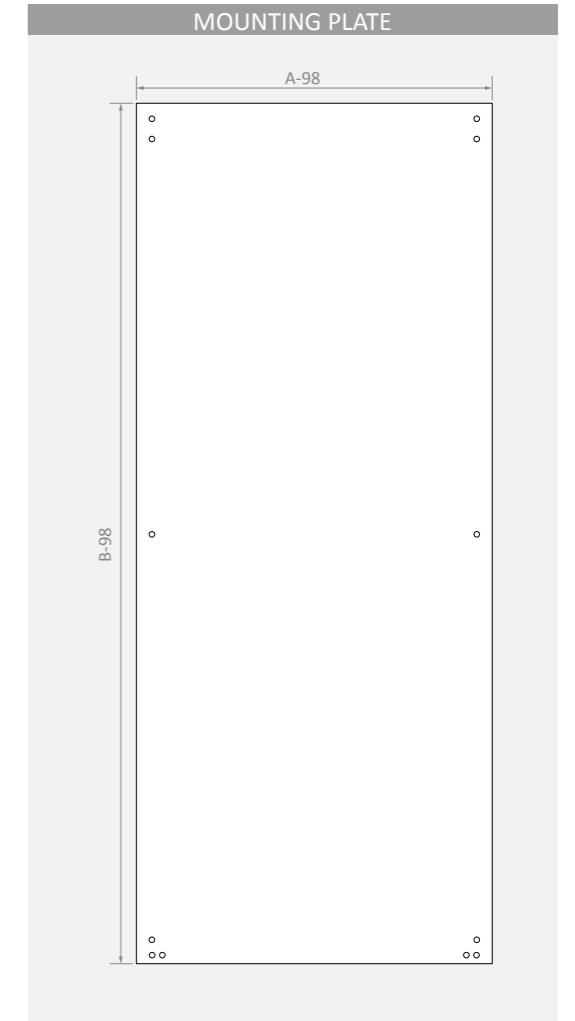
Supply Includes

- Body
- Door and rear panel
- Mounting plate
- Plinth
- 4/6 pcs side rails
- Rain canopy

Complementary Accessories

- Side rail
- Short mounting plate
- Partial mounting plate
- Carriage depth slide and support
- Z profile
- Busbar & depth profile
- Ladder busbar profile
- Door inside mounting profile
- Partition profile
- Eye bolt

Width	Height	Depth	Reference	Door	Hinge	Mounting Plate Dimensions	
						↔	↕
A	B	C		pcs	pcs	mm	mm
600	1200	600	CC 061260	1	3	502	1102
	1500	600	CC 061560	1	3	502	1402
800	1200	600	CC 081260	1	3	702	1102
	1500	600	CC 081560	1	3	702	1402



Characteristics

Material
 Stainless Steel 304L (EN 10088 1.4307)
 ■ Body : 1.2 mm
 ■ Lid : 1.2 mm

Surface Finishing
 ■ Scotch-brite brushed

IP Rating
 ■ IP55 (TS 3033, EN 60529)

Others
 ■ Fully welded construction
 ■ Screwed plain lid
 ■ One piece EPDM lid gasket
 ■ Ready for DIN rail fixing



On Request

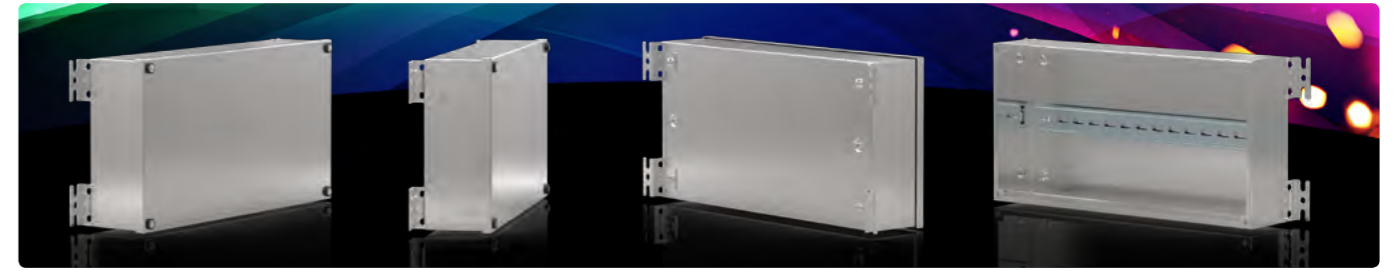
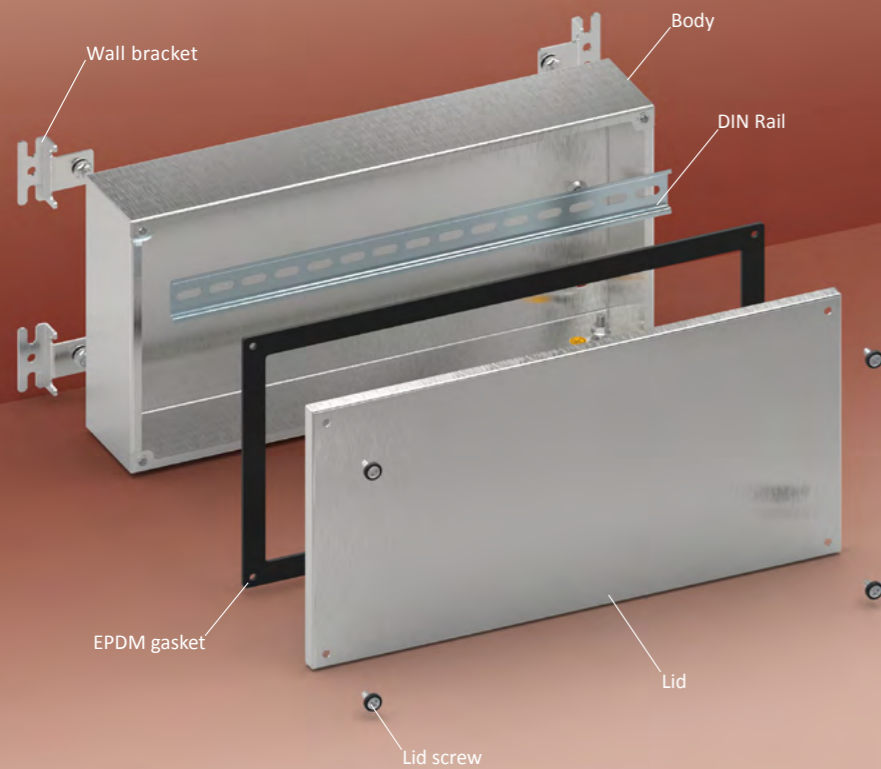
- Special sizes
- Pre-punching
- 316L Grade SS

Supply Includes

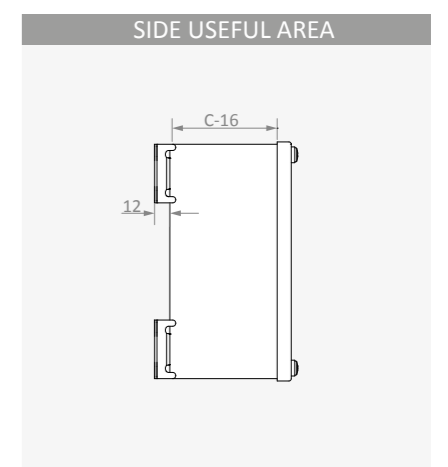
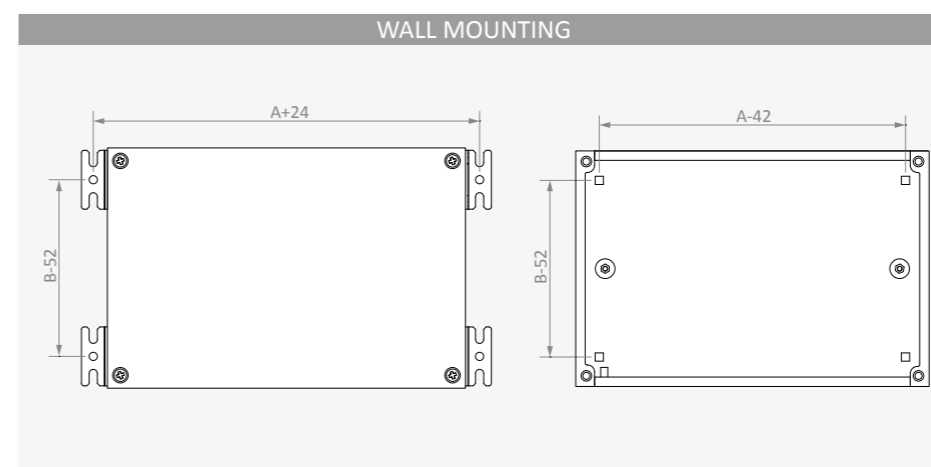
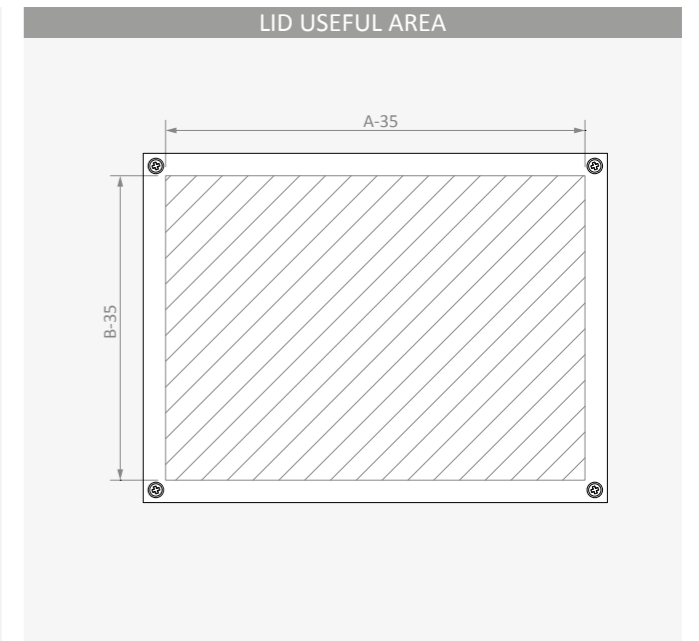
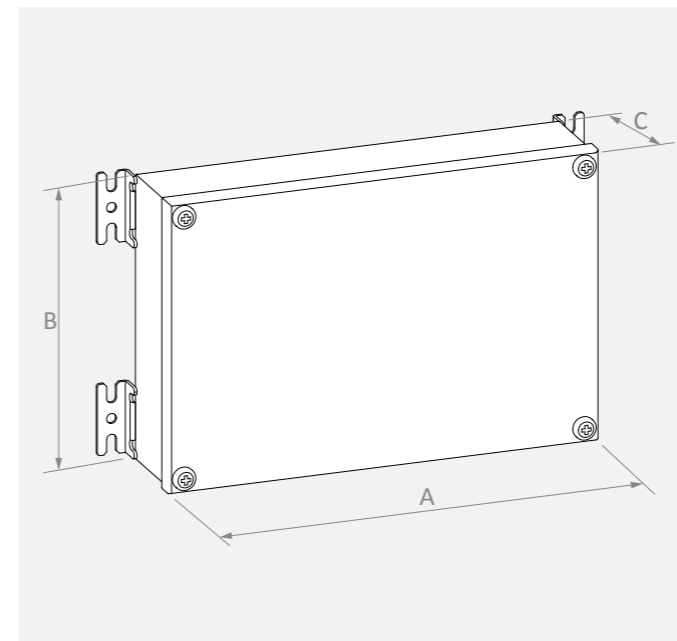
- Body
- Lid
- Lid gasket
- Lid screws

Complementary Accessories

- DIN rail
- Wall bracket
- Earthing cable



Width A	Height B	Depth C	Reference	Useful Area			Wall Mounting				DIN Rail Fixing ↔ mm	Weight kg
				Lid ↔ mm	↕ mm	↗ mm	With Bracket		Internal			
80	160	60	SSJB 081606	45	125	44	---	184	---	118	30	0.6
100	100	60	SSJB 101006	65	65	44	---	124	---	58	50	0.6
120	120	60	SSJB 121206	85	85	44	---	144	78	68	70	0.7
160	160	80	SSJB 161608	125	125	64	184	108	118	108	110	1.4
200	200	80	SSJB 202008	165	165	64	224	148	158	148	150	1.9
300	200	100	SSJB 302010	265	165	84	324	148	258	148	250	2.4
	300	100	SSJB 303010	265	265	84	324	248	258	248	2 x 250	3.2
400	200	100	SSJB 402010	365	165	84	424	148	358	148	350	2.8



Characteristics

Material

Stainless Steel 304L (EN 10088 1.4307)

- Body : 1.2 mm
- Door : 1.2 mm

Surface Finishing

- Scotch-brite brushed

IP Rating

- IP55 (TS 3033, EN 60529)

Others

- Left and right handles
- Foamed-in rear door PU sealing gasket
- Hinged lockable rear door
- Top cable entry



On Request

- Special sizes
- Special mounting plate
- Pre-punching
- 316L Grade SS

Supply Includes

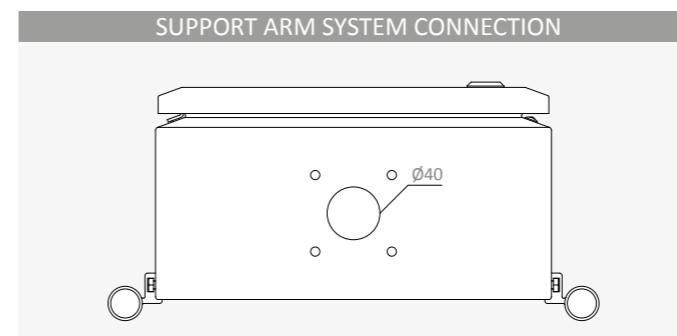
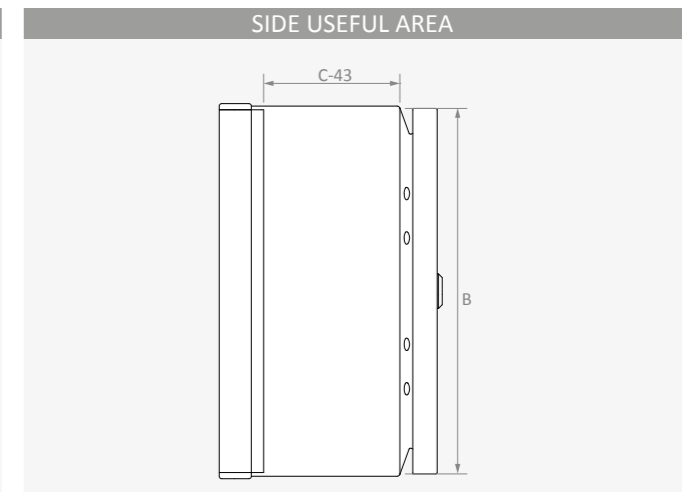
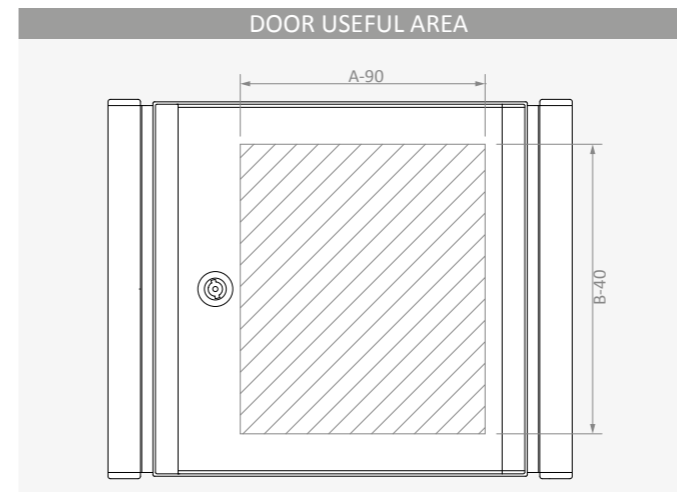
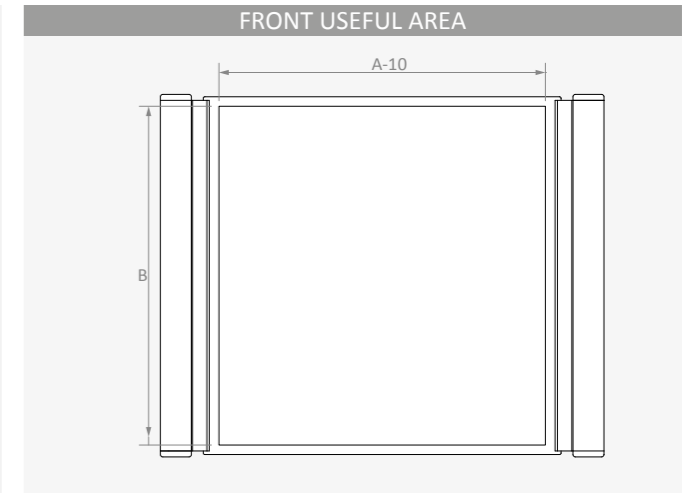
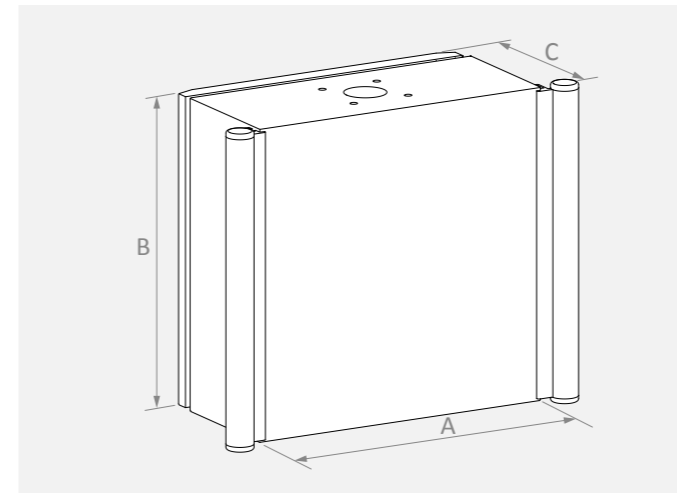
- Body
- Lockable rear door
- Handles

Complementary Accessories

- Earthing cable
- DIN rail



Width A	Height B	Depth C	Reference	Useful Area Side		Rear Door		Front Useful Area		Cable Gland (Top)	
				mm	mm	mm	mm	mm	mm	# pcs	Ø mm
300	300	160	SSKPA 030316	300	117	210	260	290	300	1	40
	400	160	SSKPA 030416	400	117	210	360	290	400	1	40
400	400	160	SSKPA 040416	400	117	310	360	390	400	1	40
	500	160	SSKPA 040516	500	117	310	460	390	500	1	40
500	500	160	SSKPA 050516	500	117	410	460	490	500	1	40



STAINLESS STEEL ENCLOSURES

STAINLESS STEEL ENCLOSURES

Characteristics

Material

Stainless Steel 304L (EN 10088 1.4307)

- Body : 1.2 mm
- Door : 1.2 mm

Galvanized Steel (EN 10346 DX51D+Z)

- Mounting plate : 2 mm

Surface Finishing

- Scotch-brite brushed

IP Rating

- IP66 (TS 3033, EN 60529)

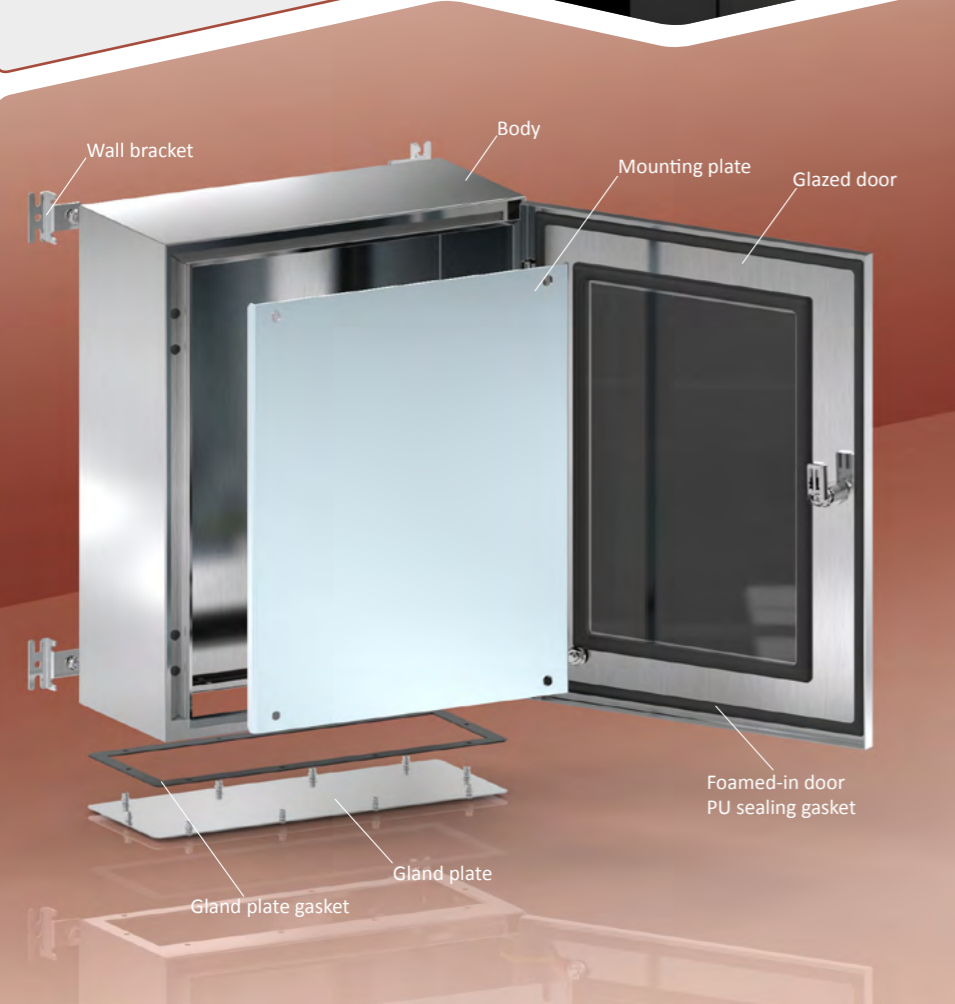
Others

- Fully welded construction
- Solid / glazed door
- Foamed-in door PU sealing gasket
- 135° concealed hinges
- 5mm Double-bit insert chrome coated zamak lock
- Bottom gland plate
- One piece PE gasket for gland plate



On Request

- Special sizes
- Pre-punching
- Special locks
- Special mounting plate



Supply Includes

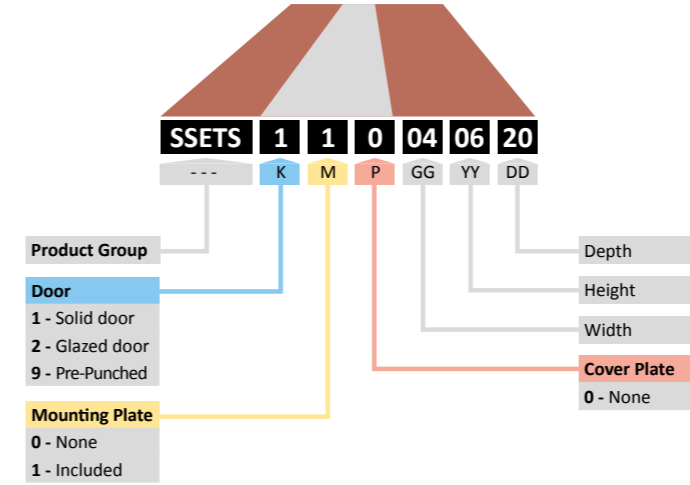
- Body
- Door (Select ≈ **K**)
- Mounting plate (Option ≈ **M**)
- Gland plate with gasket
- 4/6 pcs wall brackets

Complementary Accessories

- Rain canopy
- Support base
- DIN rail
- Door inside mounting profile
- Pole fitting set
- Plastic cover plate
- Special locks and keys
- Earthing cable

Width A	Height B	Depth C	Reference	Door pcs	Lock Type *	Lock pcs	Hinge pcs	Wall Bracket pcs	Weight ** kg	Application Options		
										Glazed Door Y / N	Rain Canopy Y / N	Support Base Y / N
300	300	150	SSETS xxx 030315	1	C	1	2	4	6.5	✓	✓	✓
	400	150	SSETS xxx 030415	1	C	1	2	4	8.2	✓	✓	✓
	200	200	SSETS xxx 030420	1	C	1	2	4	9.0	✓	✓	✓
400	500	200	SSETS xxx 030520	1	C	1	2	4	10.9	✓	✓	✓
	400	200	SSETS xxx 040420	1	C	1	2	4	11.2	✓	✓	✓
	500	200	SSETS xxx 040520	1	C	1	2	4	13.4	✓	✓	✓
500	600	200	SSETS xxx 040620	1	C	2	2	4	14.8	✓	✓	✓
	300	300	SSETS xxx 040630	1	C	2	2	4	16.7	✓	✓	✓
	500	200	SSETS xxx 050520	1	C	1	2	4	16.0	✓	✓	✓
600	700	200	SSETS xxx 050720	1	C	2	3	4	21.2	✓	✓	✓
	300	300	SSETS xxx 050730	1	C	2	3	4	22.9	✓	✓	✓
	600	200	SSETS xxx 060620	1	C	2	2	4	22.1	✓	✓	✓
800	800	200	SSETS xxx 060820	1	C	2	3	6	28.0	✓	✓	✓
	300	300	SSETS xxx 060830	1	C	2	3	6	29.5	✓	✓	✓
	1000	300	SSETS xxx 061030	1	C	2	3	6	38.5	✓	✓	✓
1000	800	300	SSETS xxx 080830	1	C	2	3	6	39	✓	✓	✓
	1000	300	SSETS xxx 081030	1	C	2	4	6	49.5	✓	✓	✓
	1200	300	SSETS xxx 081230	1	C	2	4	6	63	✓	✓	✓
1000	1000	300	SSETS xxx 101030	2	C	2	4	6	64	-	✓	✓

* C: Quarter Turn I: Rod-latch
** For SSETS 110 GG YY DD





K →
M →
P →

Solid Door
Mounting Plate

Glazed Door
Mounting Plate

Width	Height	Depth	Door
A	B	C	
mm	mm	mm	pcs
300	300	150	1
	400	150	1
		200	1
	500	200	1
400	400	200	1
	500	200	1
	600	200	1
		300	1
500	500	200	1
	700	200	1
		300	1
600	600	200	1
	800	200	1
		300	1
	1000	300	1
800	800	300	1
	1000	300	1
	1200	300	1
1000	1000	300	2

Reference
SSETS 110 030315
SSETS 110 030415
SSETS 110 030420
SSETS 110 030520
SSETS 110 040420
SSETS 110 040520
SSETS 110 040620
SSETS 110 040630
SSETS 110 050520
SSETS 110 050720
SSETS 110 050730
SSETS 110 060620
SSETS 110 060820
SSETS 110 060830
SSETS 110 061030
SSETS 110 080830
SSETS 110 081030
SSETS 110 081230
SSETS 110 101030

Reference
SSETS 210 030315
SSETS 210 030415
SSETS 210 030420
SSETS 210 030520
SSETS 210 040420
SSETS 210 040520
SSETS 210 040620
SSETS 210 040630
SSETS 210 050520
SSETS 210 050720
SSETS 210 050730
SSETS 210 060620
SSETS 210 060820
SSETS 210 060830
SSETS 210 061030
SSETS 210 080830
SSETS 210 081030
SSETS 210 081230
--



K →
M →
P →

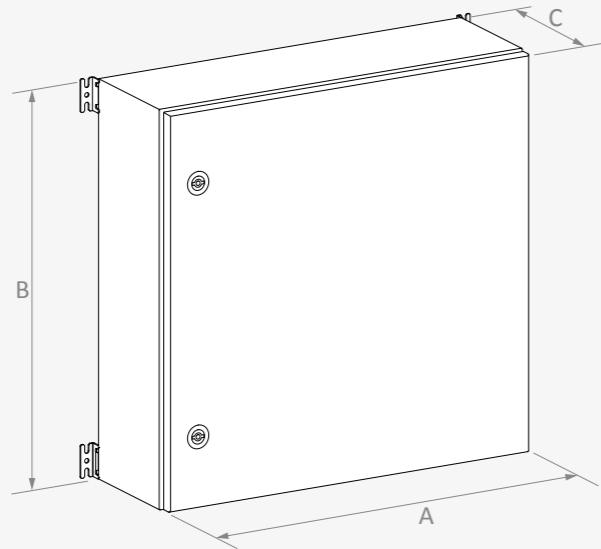
Pre-Punched Door
Mounting Plate

Solid Door

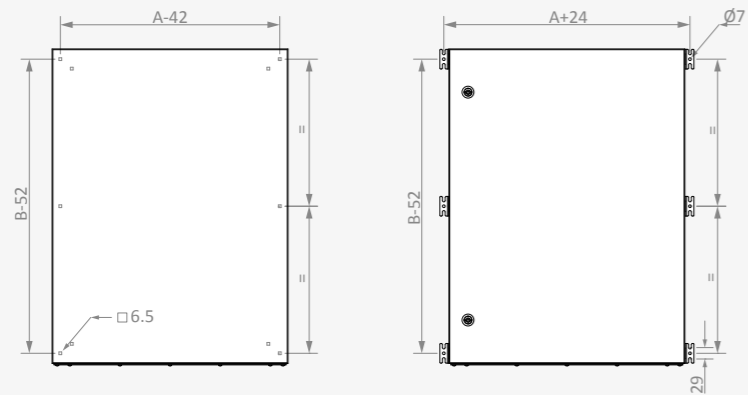
Width	Height	Depth	Door
A	B	C	
mm	mm	mm	pcs
300	300	150	1
	400	150	1
		200	1
	500	200	1
400	400	200	1
	500	200	1
	600	200	1
		300	1
500	500	200	1
	700	200	1
		300	1
600	600	200	1
	800	200	1
		300	1
	1000	300	1
800	800	300	1
	1000	300	1
	1200	300	1
1000	1000	300	2

Reference
SSETS 910 030315
SSETS 910 030415
SSETS 910 030420
SSETS 910 030520
SSETS 910 040420
SSETS 910 040520
SSETS 910 040620
SSETS 910 040630
SSETS 910 050520
SSETS 910 050720
SSETS 910 050730
SSETS 910 060620
SSETS 910 060820
SSETS 910 060830
SSETS 910 061030
SSETS 910 080830
SSETS 910 081030
SSETS 910 081230
SSETS 910 101030

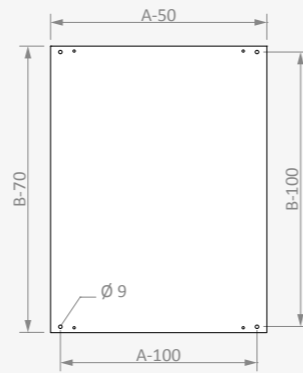
Reference
SSETS 100 030315
SSETS 100 030415
SSETS 100 030420
SSETS 100 030520
SSETS 100 040420
SSETS 100 040520
SSETS 100 040620
SSETS 100 040630
SSETS 100 050520
SSETS 100 050720
SSETS 100 050730
SSETS 100 060620
SSETS 100 060820
SSETS 100 060830
SSETS 100 061030
SSETS 100 080830
SSETS 100 081030
SSETS 100 081230
SSETS 100 101030



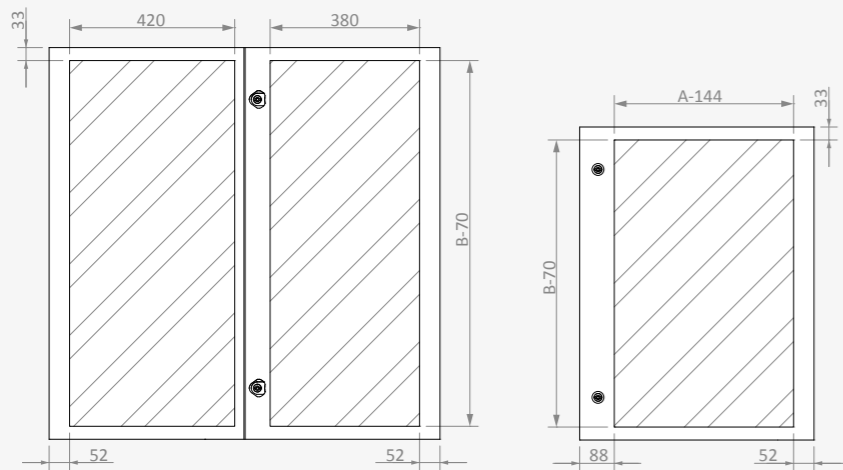
WALL MOUNTING



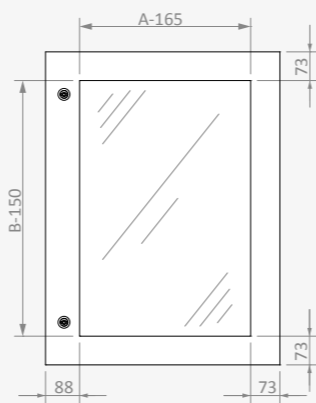
MOUNTING PLATE



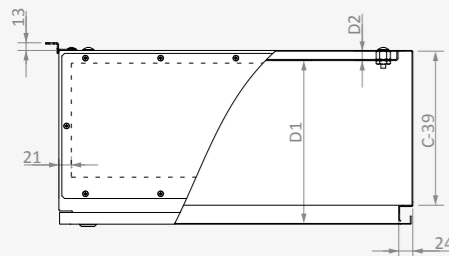
SOLID DOOR USEFUL AREA



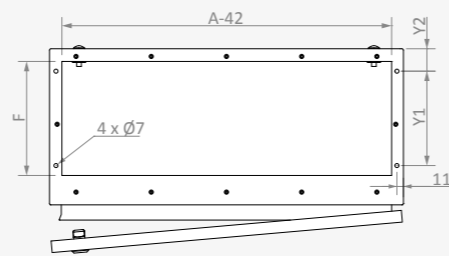
GLAZED DOOR APPARENT AREA



DEPTH DIMENSIONS



Width	Depth	D1	D2	F	Y1	Y2
A	C	D1	D2	F	Y1	Y2
A < 600	150	129	13	59	45	23
	200	179	13	109	80	38
	300	279	13	193	160	38
A ≥ 600	200	176	16	109	80	38
	300	276	16	193	160	38



Width A	Height B	Depth C	Reference	Useful Area			Glazed Door Apparent Area		Gland Plate			Wall Mounting				Mounting Plate	
				Door ↔ mm	↕ mm	↗ mm	↔ mm	↕ mm	# pcs	↔ mm	↗ mm	↔ mm	↕ mm	↔ mm	↕ mm	↔ mm	↕ mm
300	300	150	SSETS xxx 030315	156	230	127	135	150	1	260	60	324	248	258	248	250	230
	400	150	SSETS xxx 030415	156	330	127	135	250	1	260	60	324	348	258	348	250	330
		200	SSETS xxx 030420	156	330	177	135	250	1	260	110	324	348	258	348	250	330
	500	200	SSETS xxx 030520	156	430	177	135	350	1	260	110	324	448	258	448	250	430
400	400	200	SSETS xxx 040420	256	330	177	235	250	1	360	110	424	348	358	348	350	330
	500	200	SSETS xxx 040520	256	430	177	235	350	1	360	110	424	448	358	448	350	430
	600	200	SSETS xxx 040620	256	530	177	235	450	1	360	110	424	548	358	548	350	530
		300	SSETS xxx 040630	256	530	277	235	450	1	360	210	424	548	358	548	350	530
500	500	200	SSETS xxx 050520	356	430	177	335	350	1	460	110	524	448	458	448	450	430
	700	200	SSETS xxx 050720	356	630	177	335	550	1	460	110	524	648	458	648	450	630
		300	SSETS xxx 050730	356	630	277	335	550	1	460	210	524	648	458	648	450	630
600	600	200	SSETS xxx 060620	456	530	177	435	450	1	560	110	624	548	558	548	550	530
	800	200	SSETS xxx 060820	456	730	177	435	650	1	560	110	624	748	558	748	550	730
		300	SSETS xxx 06 0830	456	730	277	435	650	1	560	210	624	748	558	748	550	730
	1000	300	SSETS xxx 061030	456	950	277	435	850	1	560	210	624	948	558	948	550	930
800	800	300	SSETS xxx 080830	656	730	277	635	650	1	760	210	824	748	758	748	750	730
	1000	300	SSETS xxx 081030	656	930	277	635	850	1	760	210	824	948	758	948	750	930
	1200	300	SSETS xxx 081230	656	1130	277	635	1150	1	760	210	824	1148	758	1148	750	1130
1000	1000	300	SSETS xxx 101030	856	930	277	835	850	1	960	210	1024	948	958	948	950	930

Characteristics

- Material**
 Stainless Steel 304L (EN 10088 1.4307)
 ■ Frame : 1.5 mm
 ■ Panel : 1.2 mm
 ■ Door : 1.5 mm
 ■ Plinth : 1.5 mm
 Galvanized Steel (EN 10346 DX51D+Z)
 ■ Mounting plate : 2 mm
- Surface Finishing**
 ■ Scotch-brite brushed
- IP Rating**
 ■ IP55 (TS 3033, EN 60529)
- Others**
 ■ Welded frame construction
 ■ Foamed-in door/rear panel PU sealing gasket
 ■ Swing-handle polyamide lock (3 points locking, 333 key)
 ■ Door and panel options for rear side
 ■ Multiple mounting plate possibility
 ■ The modular construction can be join
 ■ Removable side panels
 ■ Plinth and cover options



On Request

- Special sizes
- Special colour
- Pre-punching
- Flat pack options

Supply Includes

- Front and rear frame
- Door and rear panel
- Mounting plate
- Plinth
- Top cover
- Side panels
- 4/6 pcs side rails

Complementary Accessories

- Eye bolt
- Rain canopy
- Door inside mounting profile
- Short mounting plate
- Partial mounting plate
- Infill mounting plate
- Carriage depth slide and support
- Partition profile
- L, U and Z profiles
- L and Z brackets
- Busbar & depth profile
- Ladder busbar profile
- Joining set
- Adjustable / pull out perforated shelf
- Plan pocket
- Plastic cover plate
- Earthing cable
- Botom cover plate



Width A mm	Height B mm	Depth C mm	Reference	Door pcs	Hinge pcs	Solid Door Useful Area		Rear Panel Useful Area	
						↔ mm	↕ mm	↔ mm	↕ mm
600	1800	400	SSAS xxx 061840	1	3	420	1620	500	1700
		500	SSAS xxx 061850	1	3	420	1620	500	1700
		600	SSAS xxx 061860	1	3	420	1620	500	1700
	2000	400	SSAS xxx 062040	1	3	420	1820	500	1900
		500	SSAS xxx 062050	1	3	420	1820	500	1900
		600	SSAS xxx 062060	1	3	420	1820	500	1900
800	1800	400	SSAS xxx 081840	1	3	620	1620	700	1700
		500	SSAS xxx 081850	1	3	620	1620	700	1700
		600	SSAS xxx 081860	1	3	620	1620	700	1700
	2000	400	SSAS xxx 082040	1	3	620	1820	700	1900
		500	SSAS xxx 082050	1	3	620	1820	700	1900
		600	SSAS xxx 082060	1	3	620	1820	700	1900
1000	1800	400	SSAS xxx 101840	2	3+3	320 + 320	1620	900	1700
		500	SSAS xxx 101850	2	3+3	320 + 320	1620	900	1700
		600	SSAS xxx 101860	2	3+3	320 + 320	1620	900	1700
	2000	400	SSAS xxx 102040	2	3+3	320 + 320	1820	900	1900
		500	SSAS xxx 102050	2	3+3	320 + 320	1820	900	1900
		600	SSAS xxx 102060	2	3+3	320 + 320	1820	900	1900
1200	1800	400	SSAS xxx 121840	2	3+3	420 + 420	1620	1100	1700
		500	SSAS xxx 121850	2	3+3	420 + 420	1620	1100	1700
		600	SSAS xxx 121860	2	3+3	420 + 420	1620	1100	1700
	2000	400	SSAS xxx 122040	2	3+3	420 + 420	1820	1100	1900
		500	SSAS xxx 122050	2	3+3	420 + 420	1820	1100	1900
		600	SSAS xxx 122060	2	3+3	420 + 420	1820	1100	1900

SSAS 1 1 0 10 20 40
 --- K M P GG YY DD

Product Group

Door / Rear Panel

- 1 - Solid door + Rear Panel
- 2 - Glazed door + Rear Panel
- 3 - Pre-punched D. + Rear Panel
- 4 - Solid door + Solid door
- 5 - Glazed door + Solid door
- 6 - Pre-punched D. + Solid door
- 7 - Glazed door + Glazed door
- 8 - Pre-punched D. + Glazed door
- 9 - Pre-punched D. + Pre-punched D.
- A - Solid door + Fixed Rear Panel
- B - Glazed D. + Fixed Rear Panel
- C - Pre-punched D. + Fixed Rear Panel

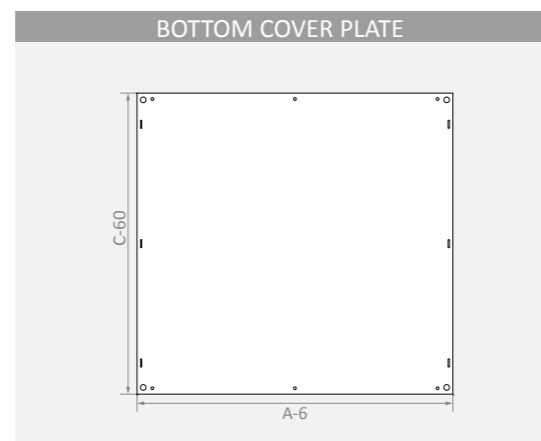
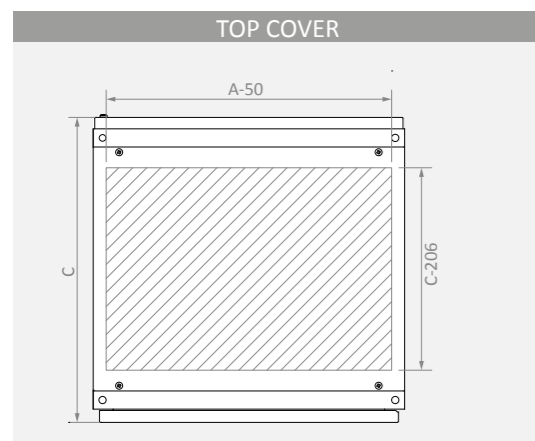
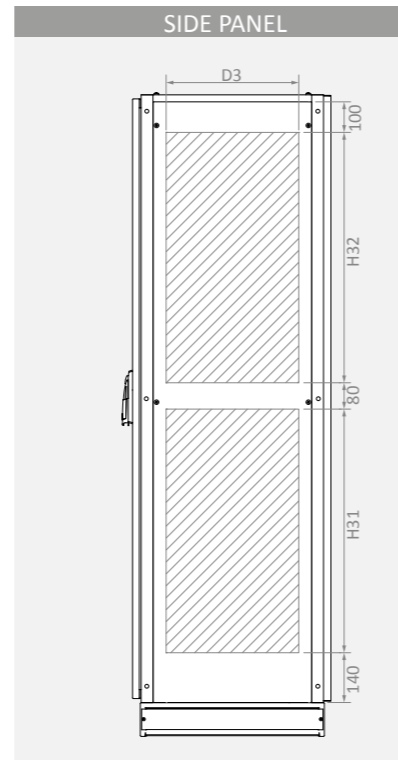
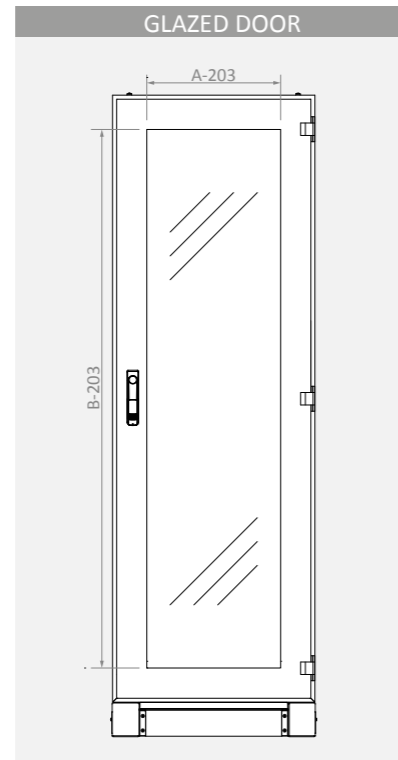
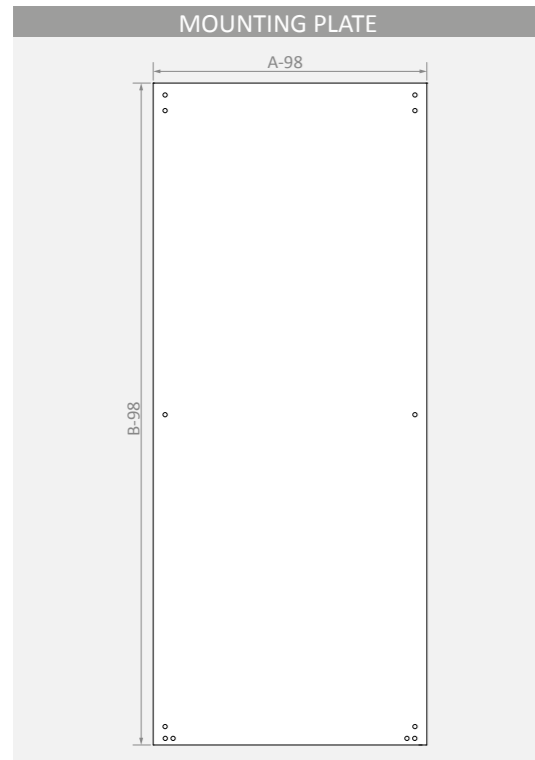
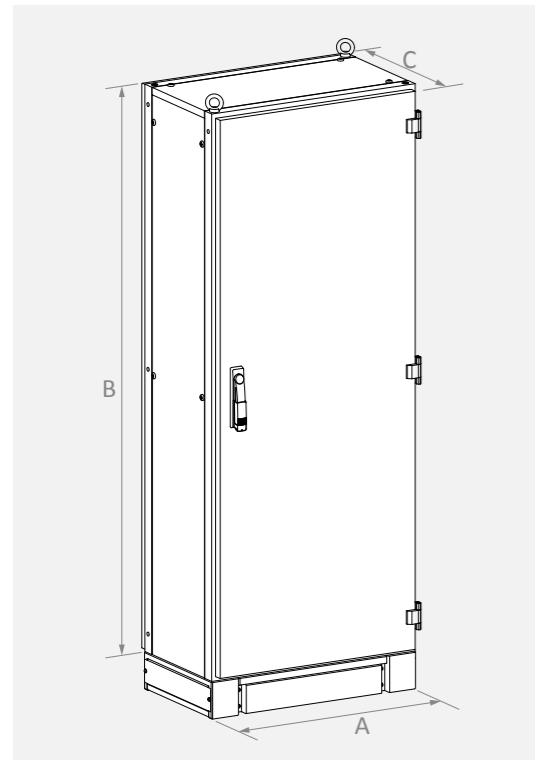
Mounting Plate

- 0 - None
- 1 - Mounting plate
- 2 - Double mounting plate

Plinth

- 0 - None
- 1 - 100mm / Blank cover
- 2 - 100mm / Sliding cover
- 3 - 100mm / Brushed cover
- 4 - 200mm / Blank cover
- 5 - 200mm / Sliding cover
- 6 - 200mm / Brushed cover
- 7 - Bottom cover plate

Depth
 Height
 Width



Width A mm	Height B mm	Reference	Solid Door	Useful Area		Glazed Door	Apparent Area		Mounting Plate	Dimensions	
				↔ mm	↕ mm		↔ mm	↕ mm		↔ mm	↕ mm
600	1800	SSAS xxx 0618**	SSAS KP0618	420	1620	SSAS KPX0618	397	1597	AS TS0618	502	1702
	2000	SSAS xxx 0620**	SSAS KP0620	420	1820	SSAS KPX0620	397	1797	AS TS0620	502	1902
800	1800	SSAS xxx 0818**	SSAS KP0818	620	1620	SSAS KPX0818	597	1597	AS TS0818	702	1702
	2000	SSAS xxx 0820**	SSAS KP0820	620	1820	SSAS KPX0820	597	1797	AS TS0820	702	1902
1000	1800	SSAS xxx 1018**	SSAS KP1018	320 + 320	1620	---	---	---	AS TS1018	902	1702
	2000	SSAS xxx 1020**	SSAS KP1020	320 + 320	1820	---	---	---	AS TS1020	902	1902
1200	1800	SSAS xxx 1218**	SSAS KP1218	420 + 420	1620	---	---	---	AS TS1218	1102	1702
	2000	SSAS xxx 1220**	SSAS KP1220	420 + 420	1820	---	---	---	AS TS1220	1102	1902

Height B mm	Depth C mm	Reference	Side Panel	Useful Area		
				D3 mm	H31 mm	H32 mm
1800	400	SSAS xxx **1840	SSAS YS1840	194	720	740
	500	SSAS xxx **1850	SSAS YS1850	294	720	740
	600	SSAS xxx **1860	SSAS YS1860	394	720	740
2000	400	SSAS xxx **2040	SSAS YS2040	194	840	820
	500	SSAS xxx **2050	SSAS YS2050	294	840	820
	600	SSAS xxx **2060	SSAS YS2060	394	840	820

Width A mm	Depth C mm	Reference	Top Cover	Useful Area		Bottom Cover Plate	Dimensions	
				↔ mm	↗ mm		↔ mm	↕ mm
600	400	SSAS xxx 06**40	SSAS TAV06040	550	194	SSAS BS0640	594	340
	500	SSAS xxx 06**50	SSAS TAV06050	550	294	SSAS BS0650	594	440
	600	SSAS xxx 06**60	SSAS TAV06060	550	394	SSAS BS0660	594	540
800	400	SSAS xxx 08**40	SSAS TAV08040	750	194	SSAS BS0840	794	340
	500	SSAS xxx 08**50	SSAS TAV08050	750	294	SSAS BS0850	794	440
	600	SSAS xxx 08**60	SSAS TAV08060	750	394	SSAS BS0860	794	540
1000	400	SSAS xxx 10**40	SSAS TAV10040	950	194	SSAS BS1040	994	340
	500	SSAS xxx 10**50	SSAS TAV10050	950	294	SSAS BS1050	994	440
	600	SSAS xxx 10**60	SSAS TAV10060	950	394	SSAS BS1060	994	540
1200	400	SSAS xxx 12**40	SSAS TAV12040	1150	194	SSAS BS1240	1194	340
	500	SSAS xxx 12**50	SSAS TAV12050	1150	294	SSAS BS1250	1194	440
	600	SSAS xxx 12**60	SSAS TAV12060	1150	394	SSAS BS1260	1194	540

Characteristics

- Material**
Stainless Steel 316L (EN 10088 1.4404)
- Body : 1.2 / 1.5 mm
 - Door : 1.2 / 1.5 mm
 - Plate : 2 mm
- Surface Finishing**
- Scotch-brite brushed
- IP Rating**
- IP66 (TS 3033, EN 60529)
- Others**
- Padlockable, removable, screw-type solid door
 - Foamed-in door PU sealing gasket (-40°C +100°C)
 - 180° Concealed hinge
 - Door fastening with captive screws
 - Impact strength 7 Joule
 - Ambient Temperature -40°C to +55°C for T5
 - Ambient Temperature -40°C to +40°C for T6
 - Horizontal or vertical terminal options
 - Ex e & Ex ia protection
 - Zone1 (Category 2), Zone 2 (Category 3) & Zone 21 & 22.
 - M6/M10 integral internal / external earthing stud

On Request

- Special sizes
- 0,2,3,4 gland plate options
- Special mounting plate
- Pre-galvanized steel + painted



Supply Includes

- Body
- Door
- Earth stud

Complementary Accessories

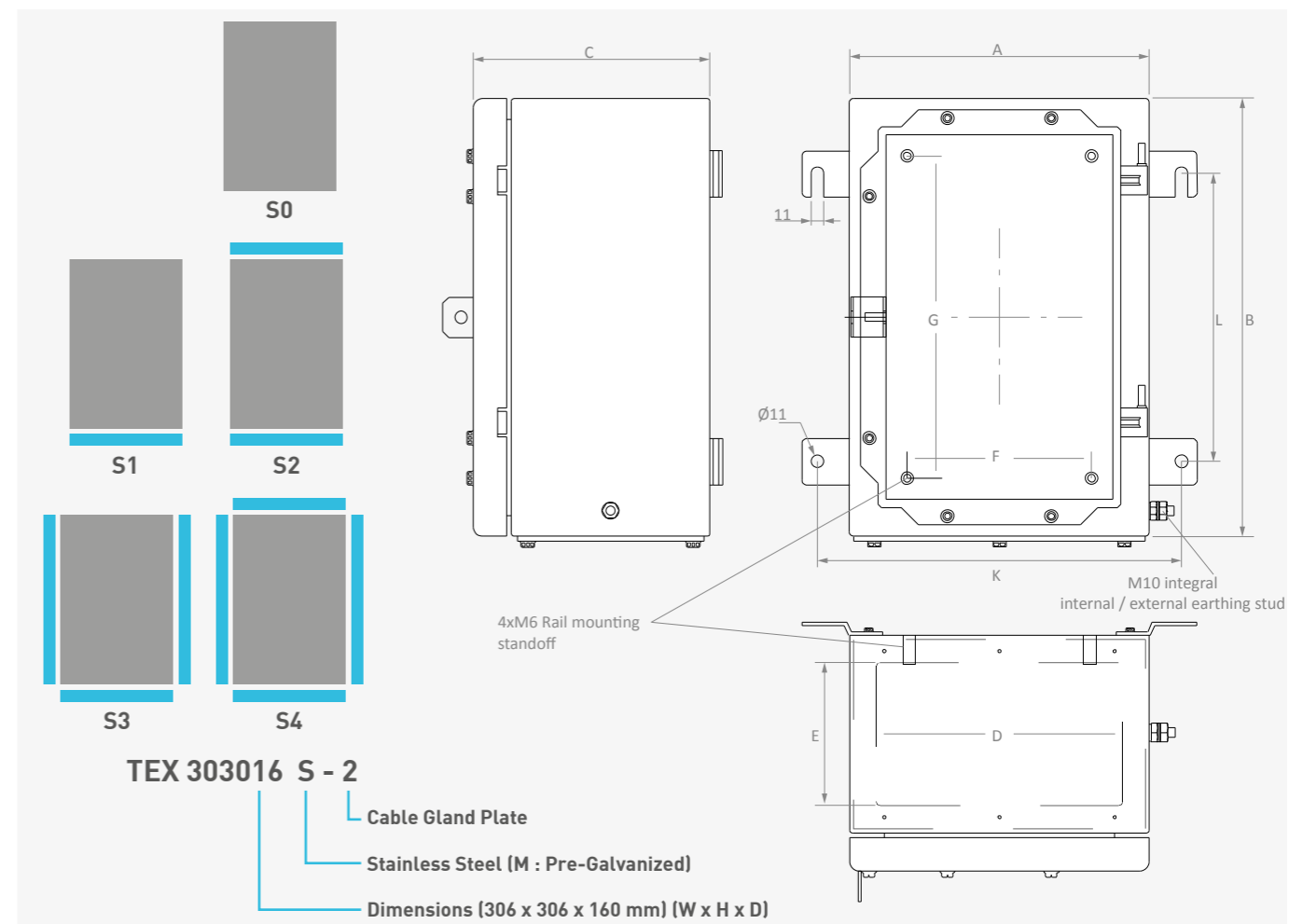
- Mounting plate
- DIN rail
- Earthing cable
- DIN rail mounting bracket (vertical / horizontal)



Width A	Height B	Depth C	Reference	Thickness			Hinge	Weight
				Body	Door	Plate		
mm	mm	mm		mm	mm	mm	pcs	kg
120	120	80	TES 121208-S	1.2	1.2	---	---	1.4
150	150	90	TES 151509-S	1.2	1.2	---	---	1.9
190	190	100	TES 191910-S	1.2	1.2	---	---	3.0
152	229	135	TEX 152213-S1	1.5	1.5	2	2	3.3
260	260	160	TEX 262616-S1	1.5	1.5	2	2	5.5
260	260	205	TEX 262620-S1	1.5	1.5	2	2	5.5
260	380	160	TEX 263816-S1	1.5	1.5	2	2	7.0
260	380	205	TEX 263820-S1	1.5	1.5	2	2	7.0
306	306	160	TEX 303016-S1	1.5	1.5	2	2	7.0
306	306	205	TEX 303020-S1	1.5	1.5	2	2	7.0
350	500	160	TEX 355016-S1	1.5	1.5	2	2	10.5
350	500	205	TEX 355020-S1	1.5	1.5	2	2	10.5
382	458	160	TEX 384516-S1	1.5	1.5	2	2	9.8
382	458	205	TEX 384520-S1	1.5	1.5	2	2	9.8
450	620	160	TEX 456216-S1	1.5	1.5	2	2	17.0
450	620	205	TEX 456220-S1	1.5	1.5	2	2	17.0
480	480	160	TEX 484816-S1	1.5	1.5	2	2	10.4
480	480	205	TEX 484820-S1	1.5	1.5	2	2	10.4
508	762	205	TEX 507620-S1	1.5	1.5	2	2	23.5
550	740	205	TEX 557420-S1	1.5	1.5	2	2	23.5
610	914	205	TEX 619120-S1	1.5	1.5	2	3	31.0
640	860	205	TEX 648620-S1	1.5	1.5	2	3	29.0
740	980	205	TEX 749820-S1	1.5	1.5	2	3	38.0

Characteristics

- Global (IECEx)**
- IECEx SIR 15.0056X
- Gas&Dust**
- Ex eb IIC T6 Gb (Tamb: -40°C to +40°C)
 - Ex ia IIC T6 Ga (Tamb: +40°C to +40°C)
 - Ex tb IIIC T57°C Db, IP66, (Tamb: -40°C to +40°C)
- IECEx SIR 15.0057U (Component certificate)
- Europe (ATEX)**
- SIRA 06 ATEX 3285X
- Gas&Dust**
- II 2 G D Ex eb IIC T6 Gb (Tamb: -40°C to +40°C)
 - II 1 G Ex ia IIC T6 Ga (Tamb: -40°C to +40°C)
 - II 2 G D Ex tb IIIC T57°C Db, IP66 (Tamb: -40°C to +40°C)
- SIRA 06 ATEX 3286U (Component certificate)
- Classification areas**
- Zone 1 (Category 2), Zone 2 (Category 3) & Zones 21 & 22**
- Design standard**
- EN 50014, EN 50019, EN50020**
- IP Rating**
- IP66 (TS 3033, IEC/EN 60529)**
- Material**
- Highly corrosion resistant 1.2-1.5-2.0mm stainless steel 316L**
- Gland plates**
- 2.0mm thickness, 0,1,2,3 & 4 gland plate options**



Characteristics

- Material**
- Sheet Steel (EN 10130 DC01)
 - Body : 1 mm
 - Glazed door : 1 mm
 - Galvanized Steel (EN 10346 DX51D+Z)
 - 19" profile : 1.5 mm
- Surface Finishing**
- RAL7035w powder coating
- Others**
- Optimum natural air circulation
 - Perforated top and bottom panel
 - Recessed wall mounting with cable entry from top and bottom
 - Glazed and perforated front door with double-bit cam lock
 - Removable perforated side panels
 - Depth adjustable 19" upright profiles



On Request

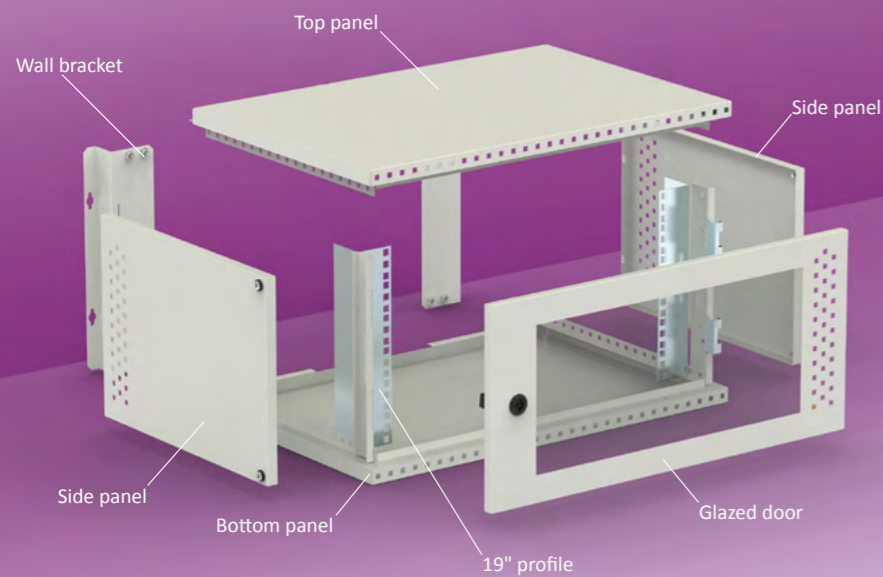
- Special sizes
- Special colour
- Pre-punching

Supply Includes

- Body
- Door
- 2 pcs 19" upright profile

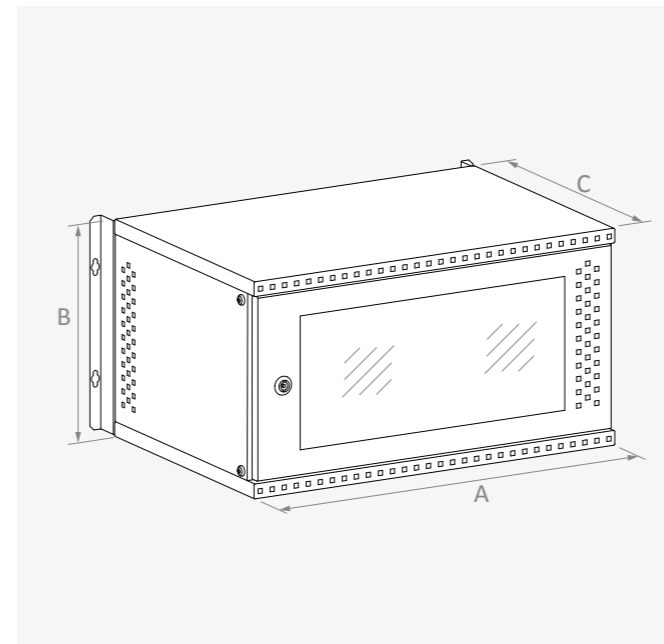
Complementary Accessories

- Patch panel
- 19" equipment shelf
- Earthing cable

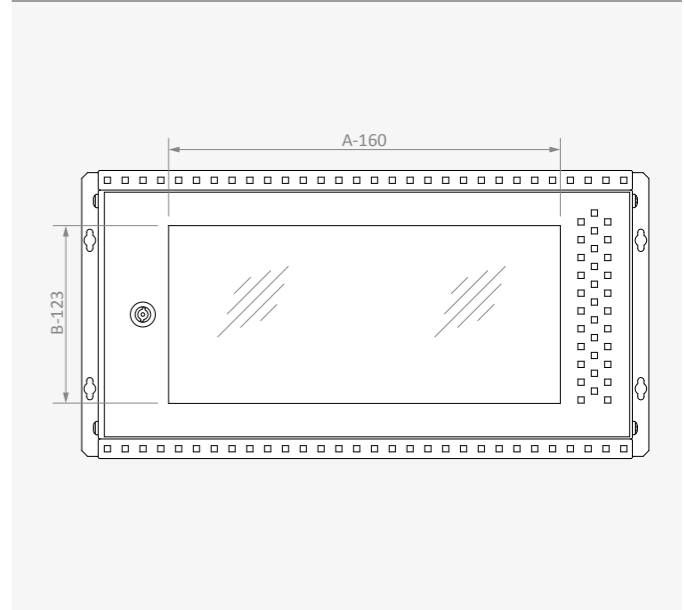


Height units *	Width			Reference	Lock	Hinge	Apparent Area		Gland Plate		Wall Mounting		Weight
	A	B	C				↔	↕	↔	↗	↔	↕	
	mm	mm	mm				mm	mm	mm	mm	mm	mm	
7 U	600	368	400	CR 0607U40	1	2	440	245	440	40	622	212	13.0
9 U		457	500	CR 0609U50	1	2	440	333	440	40	622	301	16.0
		600	600	CR 0609U60	1	2	440	333	440	40	622	301	18.3
12 U		590	500	CR 0612U50	1	2	440	467	440	40	622	434	18.5
			600	600	CR 0612U60	1	2	440	467	440	40	622	434

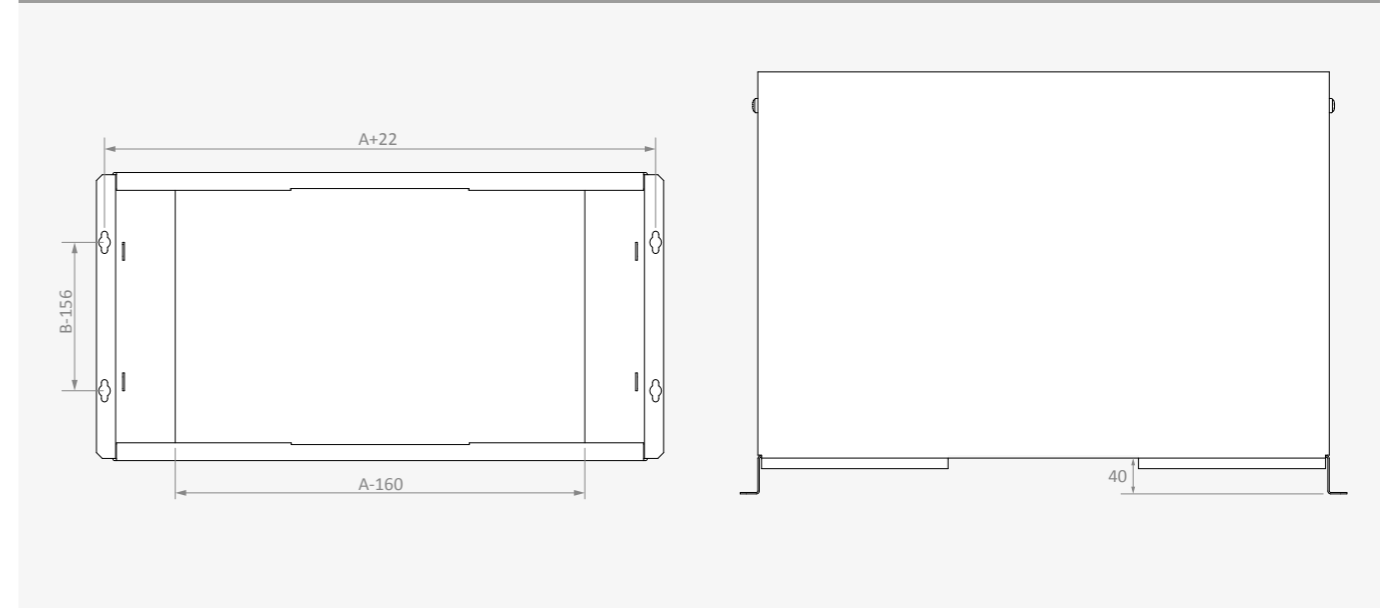
* 1U = 44.45 mm



DOOR APPARENT AREA



WALL MOUNTING & CABLE GLAND



Characteristics

- Material**
- Sheet Steel (EN 10130 DC01)
 - Frame : 1.5 mm
 - Glazed door : 1.5 mm
 - Galvanized Steel (EN 10346 DX51D+Z)
 - 19" profile : 2 mm
- Surface Finishing**
- RAL7035w powder coating
- Others**
- Multi purpose prime frame
 - Glazed front door
 - A removable side panel
 - A hinged side panel
 - Depth adjustable 19" upright profiles
 - Vented dust protection hood
 - Top and bottom gland plates



On Request

- Special sizes
- Special Racks
- Special colour
- Special mounting plate
- Pre-punching

Supply Includes

- Front and rear frame
- Glazed door
- Side panels
- 19" profiles / swing frame
- Vented dust protection hood
- 4/6 pcs wall brackets

Complementary Accessories

- Top protection plate
- Top and bottom partial cover plates
- 19" equipment shelf
- 19" pull out perforated shelf
- Patch panel and 1U fan unit
- Power distribution unit
- Cable clamp profile
- Earthing cable

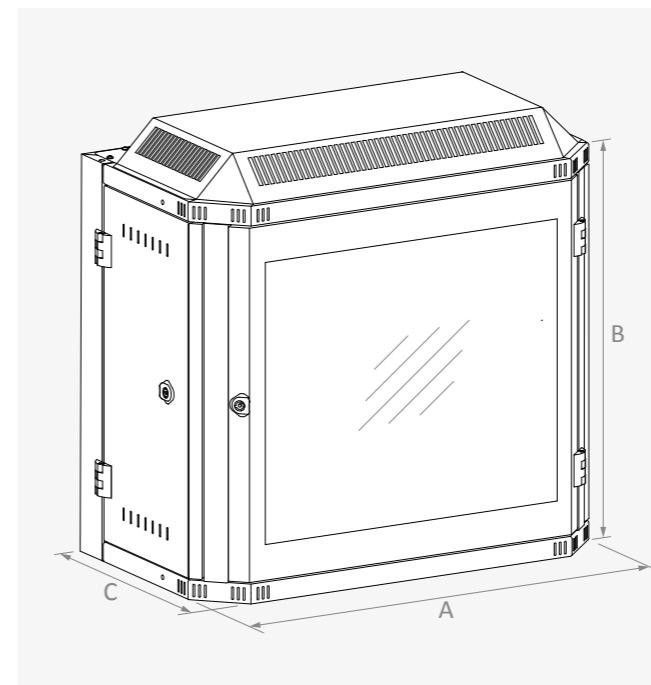


Height units *	Width			Reference	Lock	Hinge	Apparent Area		Gland Plate			Wall Mounting		Weight
	A	B	C				↔	↕	#	↔	↗	↔	↕	
	mm	mm	mm				mm	mm	pcs	mm	mm	mm	mm	
9 U	700	495	400	PRP 070904	1	2	510	308	1	640	40	748	353	30.8
12 U	700	625	400	PRP 071204	1	2	510	442	1	640	40	748	483	34.2
15 U	700	760	400	PRP 071504	1	2	510	575	1	640	40	748	618	38.0
18 U	700	895	400	PRP 071804	1	2	510	709	1	640	40	748	753	41.6
21 U	700	1025	400	PRP 072104	1	2	510	842	1	640	40	748	883	45.6

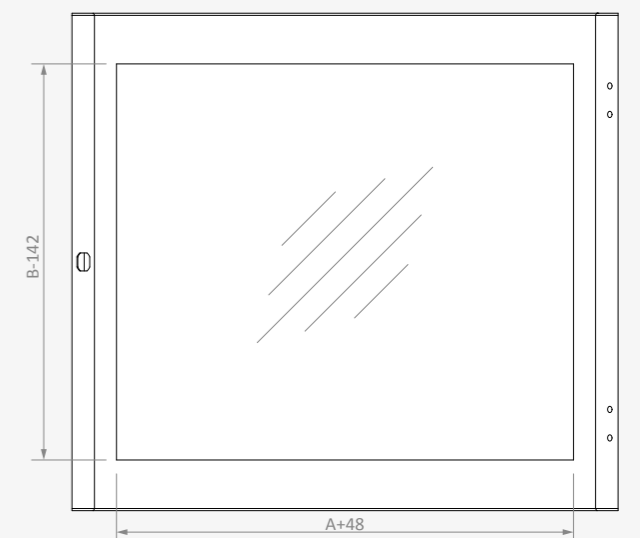
Cabinets With Swing Frame

6 U	700	495	400	PRS 070904	1	2	510	308	1	640	40	748	353	32.8
9 U	700	625	400	PRS 071204	1	2	510	442	1	640	40	748	483	36.2
12 U	700	760	400	PRS 071504	1	2	510	575	1	640	40	748	618	40.0
15 U	700	895	400	PRS 071804	1	2	510	709	1	640	40	748	753	43.6
18 U	700	1025	400	PRS 072104	1	2	510	842	1	640	40	748	883	47.6

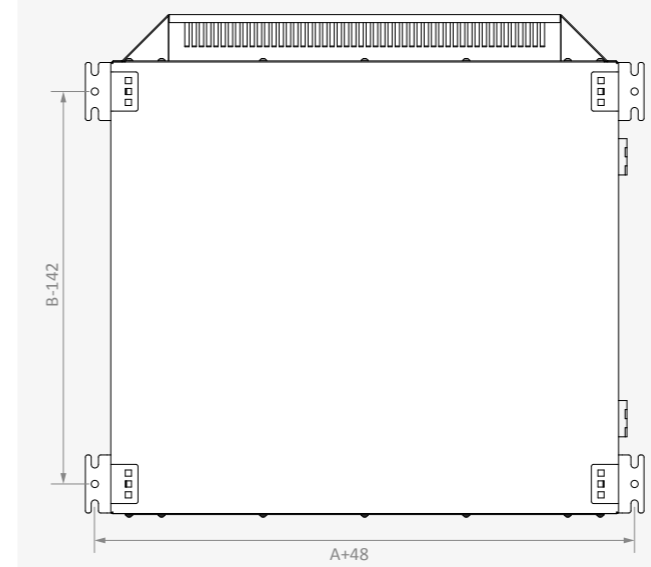
* 1U = 44.45 mm



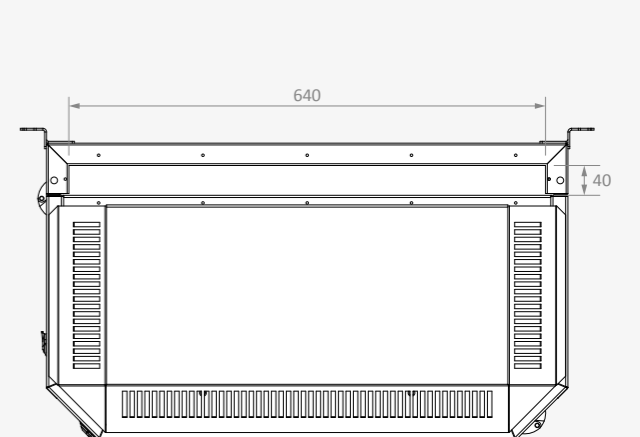
GLAZED DOOR APPARENT AREA



WALL MOUNTING



CABLE GLAND



Characteristics

- Material**
 Sheet Steel (EN 10130 DC01)
 ■ Body : 1.5 mm
 ■ Glazed door : 1.5 mm
- Surface Finishing**
 ■ RAL7035w powder coating
- IP Rating**
 ■ IP55 (TS 3033, EN 60529)
- Others**
 ■ 10 folded profile
 ■ Foamed-in door PU sealing gasket
 ■ Bottom gland plate
 ■ Removable rear panel
 ■ 5mm Double-bit insert polyamide lock



On Request

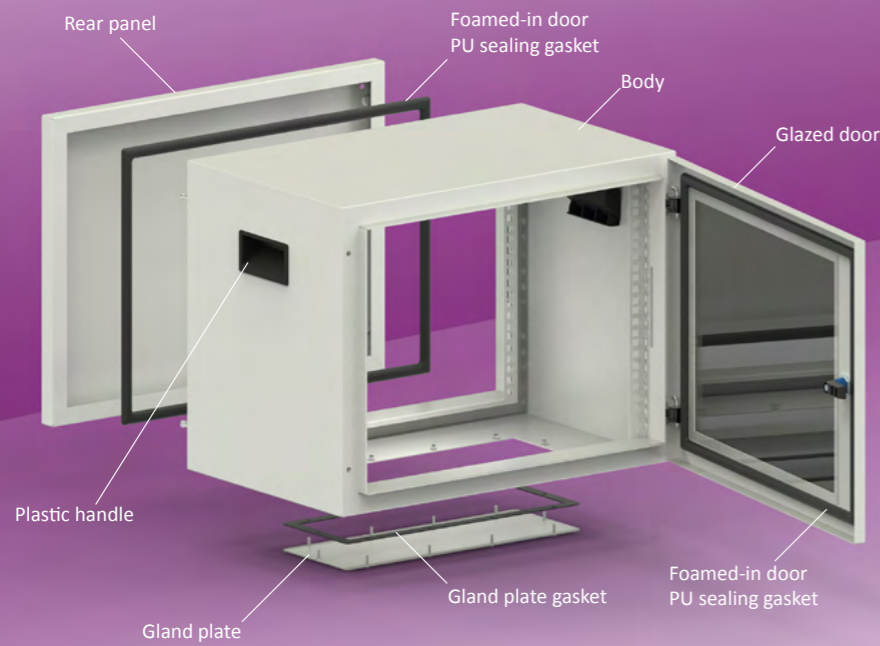
- Special sizes
- Special colour
- Pre-punching

Supply Includes

- Body
- Glazed door
- Rear panel
- Gland plate with gasket
- 4 pcs wall brackets

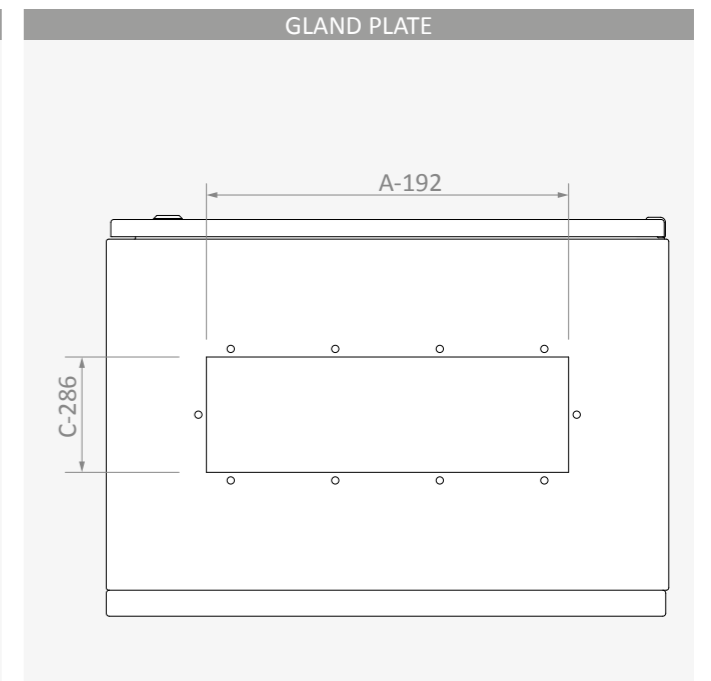
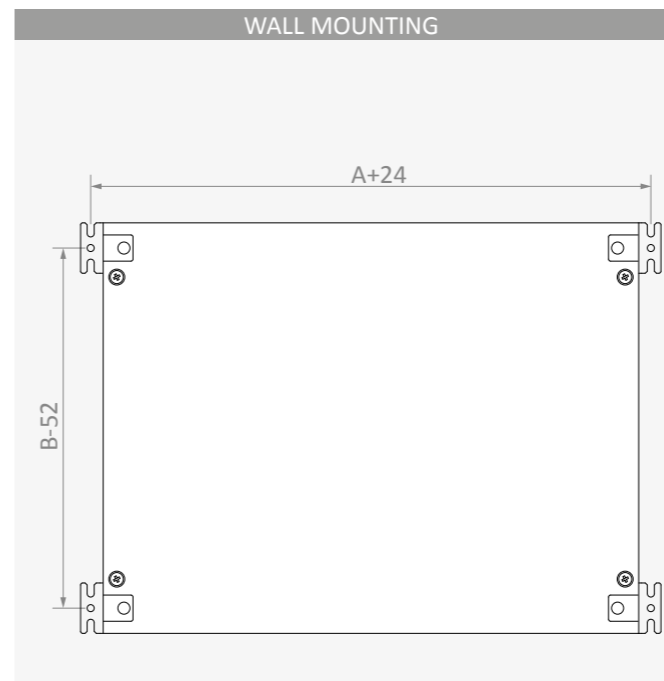
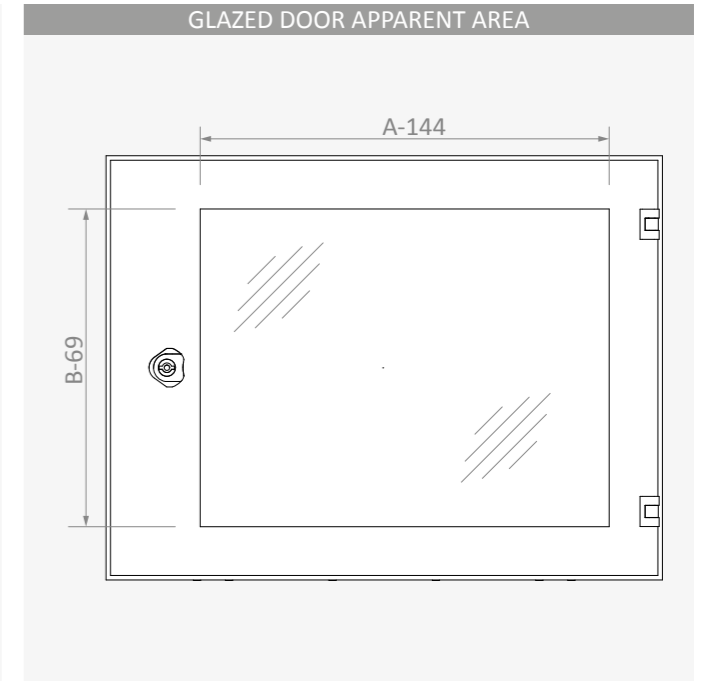
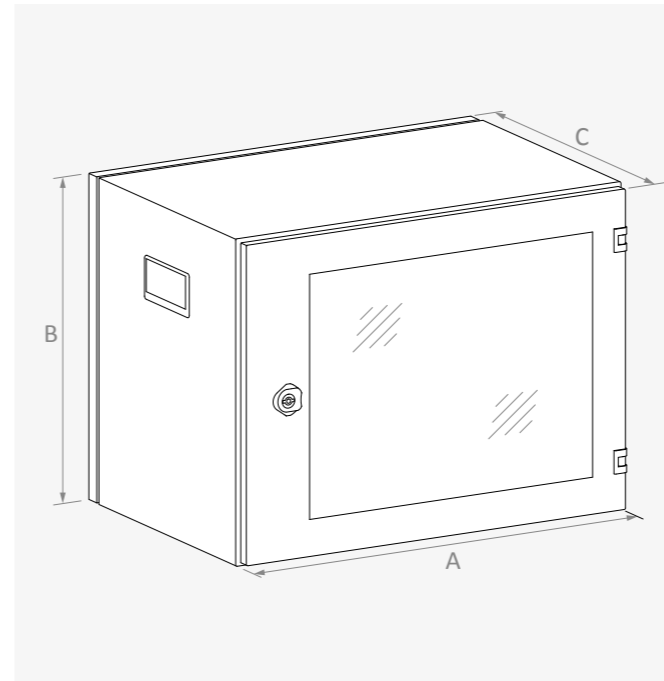
Complementary Accessories

- Patch panel
- 19" equipment shelf
- Earthing cable



Height units	Width			Reference	Lock	Hinge	Apparent Area		Gland Plate			Wall Mounting		Weight
	A	B	C				↔	↕	#	↔	↗	↔	↕	
U*	mm	mm	mm		pcs	pcs	mm	mm	pcs	mm	mm	mm	mm	kg
6 U	553	332	400	MR 553340	1	2	409	223	1	358	114	577	280	15.8
9 U		464	400	MR 554640	1	2	409	355	1	358	114	577	412	19.0
12 U		597	400	MR 555940	1	2	409	488	1	358	114	577	545	22.5
15 U		730	400	MR 557340	1	2	409	621	1	358	114	577	678	25.4

* 1U = 44.45 mm



Characteristics

- Material**
 Sheet Steel (EN 10130 DC01)
 ■ Body : 1.5 mm
 ■ Panel : 1.5 mm
 ■ Glazed door : 2 mm
 ■ Plinth : 2 mm
 Galvanized Steel (EN 10346 DX51D+Z)
 ■ 19" profile : 2 mm
- Surface Finishing**
 ■ RAL7035w powder coating
- IP Rating**
 ■ IP55 (TS 3033, EN 60529)
- Others**
 ■ Swing-handle polyamide lock
 ■ Foamed-in door PU sealing gasket



On Request

- Special sizes
- Special Racks
- Special colour
- Special mounting plate
- Pre-punching



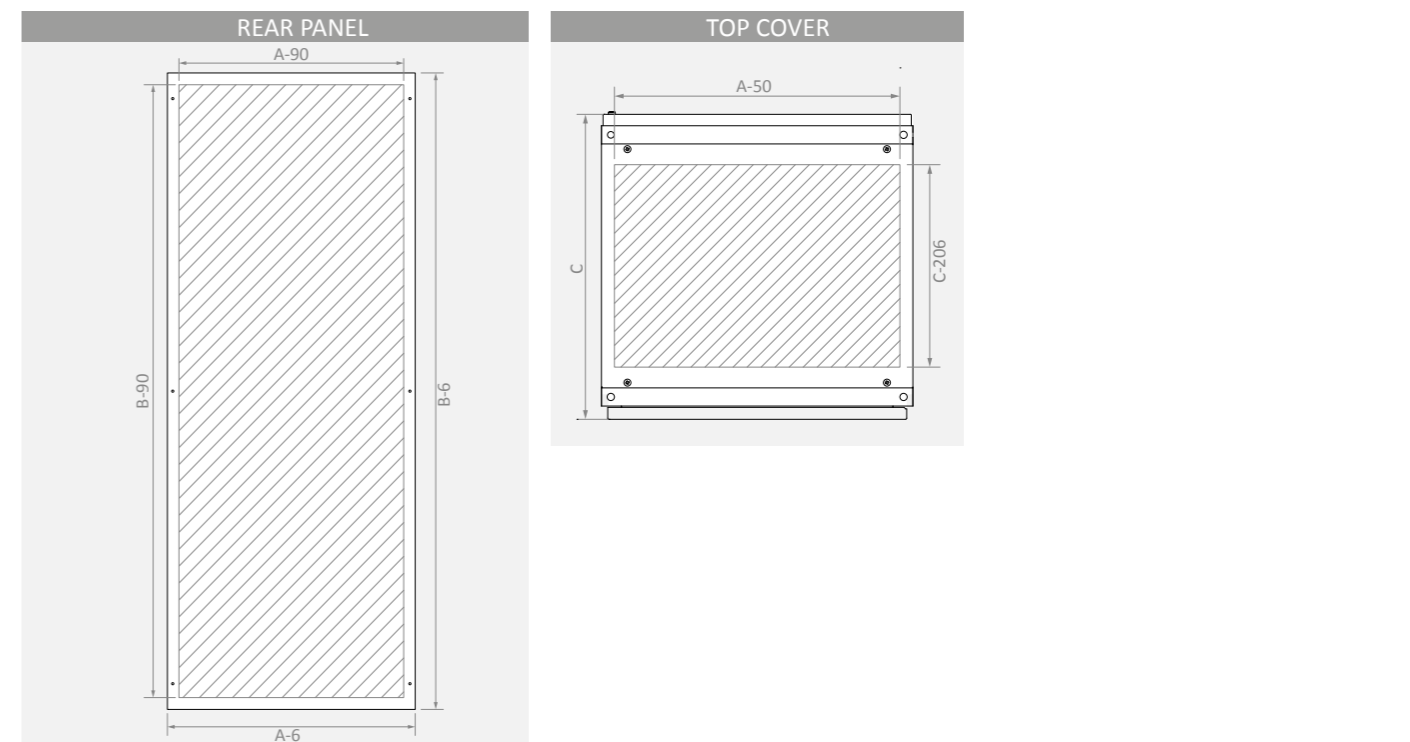
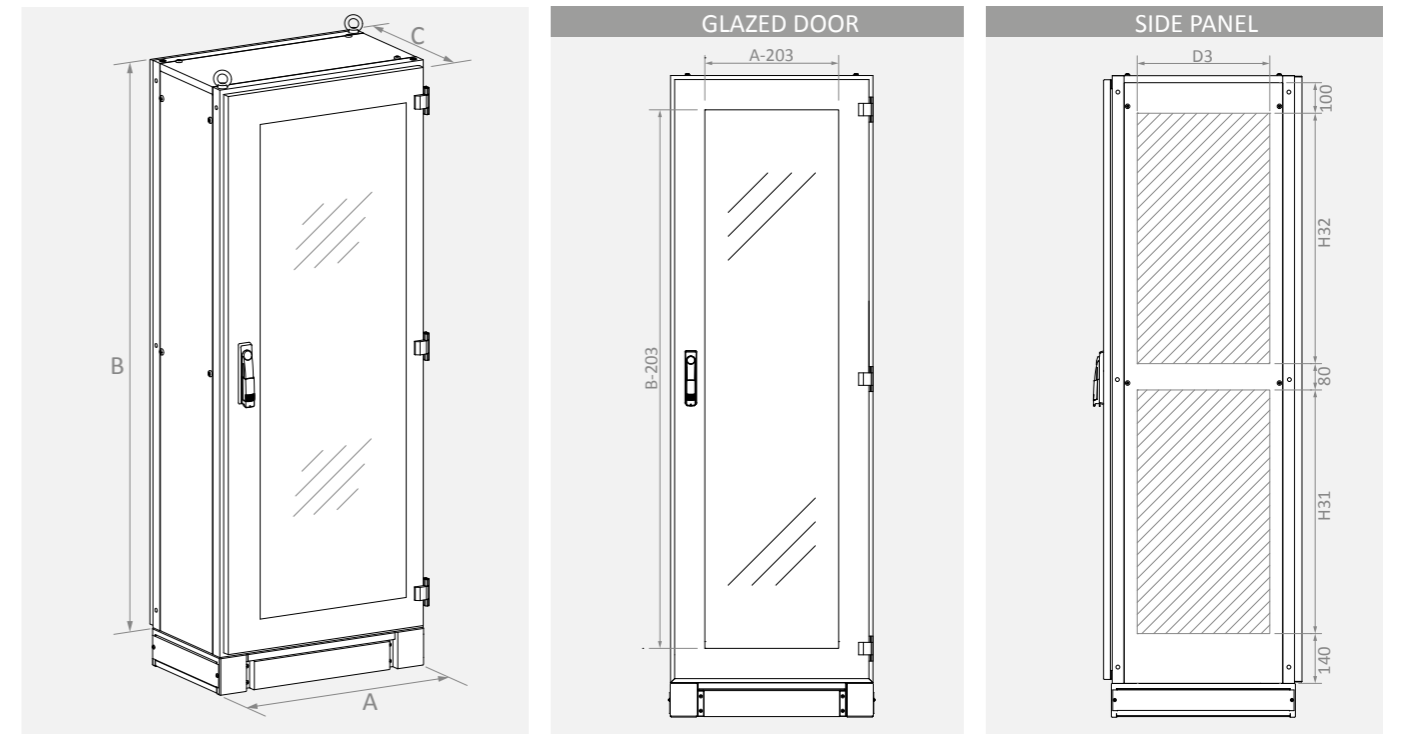
Supply Includes

- Front and rear frame
- Glazed door and rear panel
- Side panels
- Depth adjustable 19" profiles
- 4/6 pcs side rails
- Top cover
- Plinth

Complementary Accessories

- Levelling feet
- Castor
- Top protection plate
- Top and bottom partial cover plates
- Power distribution unit
- 19" pull out perforated shelf
- Cable clamp profile
- Side rail
- Mounting plate
- Telescopic slide
- Locks
- Earthing cable
- 19" equipment shelf
- Swing frame
- Patch panel and 1U fan unit
- Cable organizer

Height units	Width			Reference	Lock	Hinge	Apparent Area		Useful Area						Weight		
	A	B	C				Side Panel		Rear Panel		Top Cover						
	mm	mm	mm				↔	↕	↔	↕	↔	↗					
U*					pcs	pcs	mm	mm	D3	H31	H32	mm	mm	mm	mm	kg	
	32 U	600	1500	400	EC 061540	1	3	397	1097	194	580	580	510	1410	550	194	87
				500	EC 061550	1	3	397	1097	294	580	580	510	1410	550	294	93
	600			EC 061560	1	3	397	1097	394	580	580	510	1410	550	394	98	
39 U	600	1800	400	EC 061840	1	3	397	1397	194	720	740	510	1710	550	194	101	
				500	EC 061850	1	3	397	1397	294	720	740	510	1710	550	294	108
				600	EC 061860	1	3	397	1397	394	720	740	510	1710	550	394	114
43 U	600	2000	400	EC 061880	1	3	397	1397	594	720	740	510	1710	550	594	127	
				400	EC 062040	1	3	397	1597	194	840	820	510	1910	550	194	111
				500	EC 062050	1	3	397	1597	294	840	820	510	1910	550	294	118
			600	EC 062060	1	3	397	1597	394	840	820	510	1910	550	394	124	
			800	EC 062080	1	3	397	1597	594	840	820	510	1910	550	594	138	



Characteristics

- Material**
- Sheet Steel (EN 10130 DC01)
 - Frame : 1.5 mm
 - Panel : 1.2 mm
 - Glazed door : 1.5 mm
 - Plinth : 1.5 - 2 mm
 - Galvanized Steel (EN 10346 DX51D+Z)
 - 19" profile : 2 mm
- Surface Finishing**
- RAL7035w powder coating
- Others**
- Multi purpose prime frame
 - Glazed front door
 - Lockable and removable rear panel
 - Vented removable side panels
 - Depth adjustable 19" upright profiles
 - Brushed cable entry plate
 - 2 pcs cable clamp profile
 - Vented dust protection hood
 - Optional filter or fan fitted or perforated cover plates
 - Optional hinged rear panel
 - Optional full length or partial swing frame

On Request

- Special sizes
- Special colour
- Pre-punching
- Special mounting plate
- Special Racks



Supply Includes

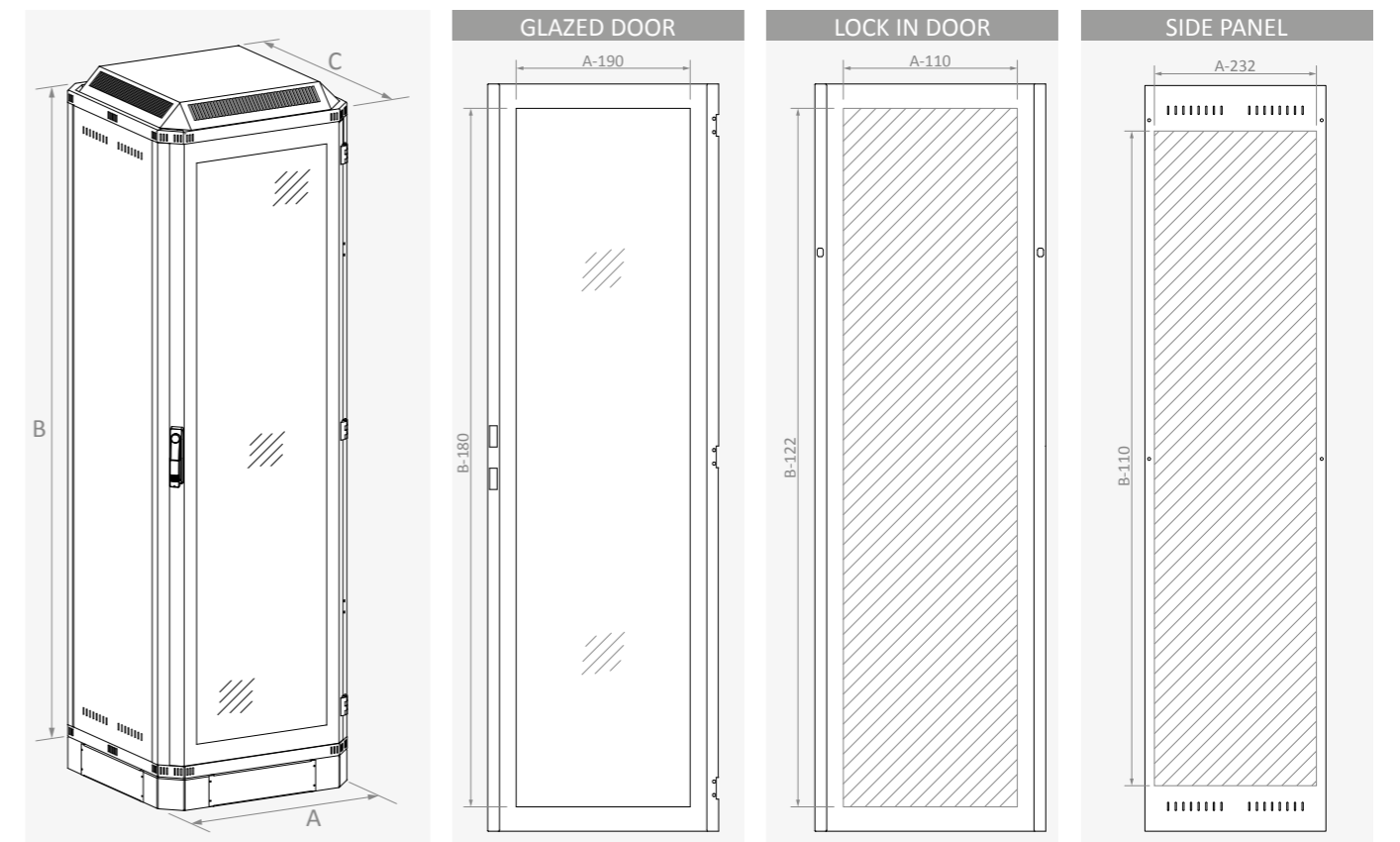
- Front and rear frame
- Glazed door
- Lockable rear panel
- Side panels
- Plinth
- Vented dust protection hood
- Depth adjustable 19" upright profiles

Complementary Accessories

- Levelling feet
- Castor
- Top protection plate
- Top and bottom partial cover plates
- Power distribution unit
- 19" pull out perforated shelf
- Cable clamp profile
- Side rail
- Mounting plate
- Telescopic slide
- Locks
- Earthing cable
- 19" equipment shelf
- Swing frame
- Patch panel and 1U fan unit
- Cable organizer

Height units *	Width			Reference	Lock	Hinge	Apparent Area		Useful Area						Weight
	A	B	C				Side Panel		Lock In Doors		Top				
	mm	mm	mm				↔	↕	↔	↕	↔	↕	mm	mm	
26 U	600	1250	600	PEC 062606	1	3	410	1070	1140	368	490	1128	368	303	63
			800	PEC 062608	1	3	410	1070	1140	568	490	1128	368	503	75
			1000	PEC 062610	1	3	410	1070	1140	768	490	1128	368	703	89
32 U	600	1515	600	PEC 063206	1	3	410	1335	1407	368	490	1393	368	303	72
			800	PEC 063208	1	3	410	1335	1407	568	490	1393	368	503	85
			1000	PEC 063210	1	3	410	1335	1407	768	490	1393	368	703	97
39 U	600	1825	600	PEC 063906	1	3	410	1642	1718	368	490	1703	368	303	82
			800	PEC 063908	1	3	410	1642	1718	568	490	1703	368	503	96
			1000	PEC 063910	1	3	410	1642	1718	768	490	1703	368	703	110
43 U	600	2000	600	PEC 064306	1	3	410	1820	1896	368	490	1878	368	303	88
			800	PEC 064308	1	3	410	1820	1896	568	490	1878	368	503	103
			1000	PEC 064310	1	3	410	1820	1896	768	490	1878	368	703	117
47 U	600	2180	600	PEC 064706	1	3	410	2000	2074	368	490	2058	368	303	93
			800	PEC 064708	1	3	410	2000	2074	568	490	2058	368	503	108
			1000	PEC 064710	1	3	410	2000	2074	768	490	2058	368	703	124
26 U	800	1250	600	PEC 082606	1	3	610	1070	1140	368	690	1128	368	303	76
			800	PEC 082608	1	3	610	1070	1140	568	690	1128	368	503	89
			1000	PEC 083206	1	3	610	1335	1407	368	690	1393	368	303	86
32 U	800	1515	600	PEC 083206	1	3	610	1335	1407	368	690	1393	368	303	86
			800	PEC 083208	1	3	610	1335	1407	568	690	1393	368	503	99
			1000	PEC 083906	1	3	610	1645	1718	368	690	1703	368	303	97
39 U	800	1825	600	PEC 083906	1	3	610	1645	1718	368	690	1703	368	303	97
			800	PEC 083908	1	3	610	1645	1718	568	690	1703	368	503	112
			1000	PEC 084306	1	3	610	1820	1896	368	690	1878	368	303	104
43 U	800	2000	600	PEC 084306	1	3	610	1820	1896	368	690	1878	368	303	104
			800	PEC 084308	1	3	610	1820	1896	568	690	1878	368	503	119
			1000	PEC 084706	1	3	610	2000	2074	368	690	2058	368	303	110
47 U	800	2180	600	PEC 084706	1	3	610	2000	2074	368	690	2058	368	303	110
			800	PEC 084708	1	3	610	2000	2074	568	690	2058	368	503	125

* 1U = 44.45 mm



Characteristics

- Material**
- Sheet Steel (EN 10130 DC01)
 - Frame : 1.5 mm
 - Door : 1.2 mm
 - Plinth : 1.5 mm
 - Galvanized Steel (EN 10346 DX51D+Z)
 - 19" profile : 2 mm
- Surface Finishing**
- RAL7035w powder coating
- Others**
- Ventilation hood
 - 150° opening front door
 - Swing-handle polyamide lock (3 points locking, 333 key)
 - Glazed or perforated front/rear door
 - Removable perforated side panels
 - Depth adjustable 19" upright profiles
 - Cover plate with grilled fan
 - Cable entry cover plate



On Request

- Special sizes
- Special colour
- Pre-punching



Supply Includes

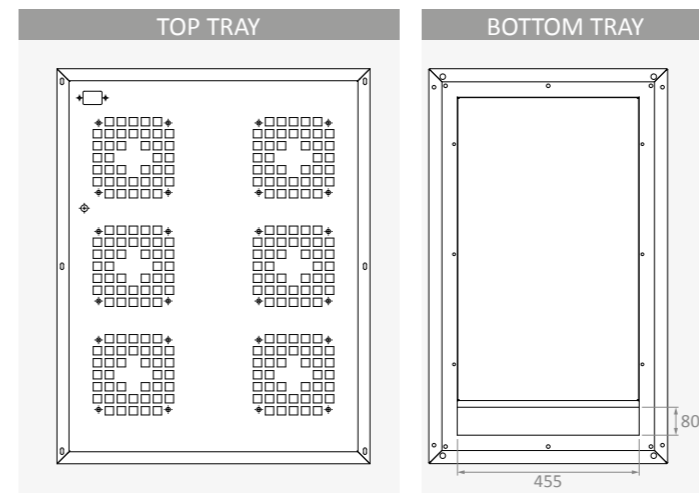
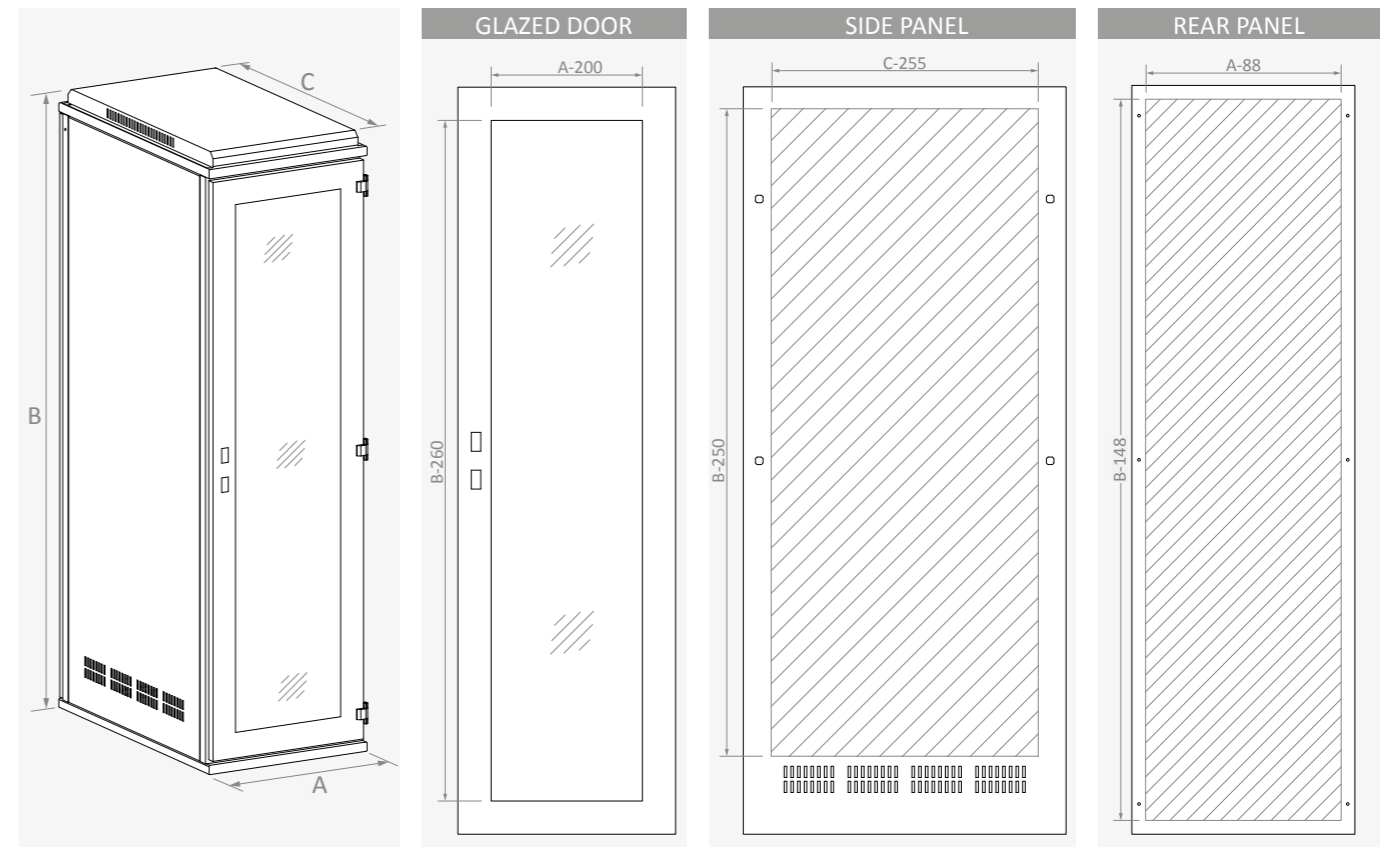
- Front and rear frame
- Glazed door
- Rear and side panels
- Plinth
- Ventilation hood
- 4 pcs 19" upright profile

Complementary Accessories

- Levelling feet
- Castor
- Top protection plate
- Top and bottom partial cover plates
- Power distribution unit
- 19" pull out perforated shelf
- Cable clamp profile
- Side rail
- Mounting plate
- Telescopic slide
- Locks
- Earthing cable
- 19" equipment shelf
- Swing frame
- Patch panel and 1U fan unit
- Cable organizer

Height units *	Width			Reference	Lock	Hinge	Apparent Area		Useful Area						Weight
	A	B	C				↔	↕	Side Panel		Rear Panel		Top Cover		
	mm	mm	mm						↕	↗	↔	↕	↔	↗	
39 U	600	1860	600	ER 063906	1	3	400	1600	1610	350	512	1712	458	450	100
			800	ER 063908	1	3	400	1600	1610	550	512	1712	458	650	114
			1000	ER 063910	1	3	400	1600	1610	750	512	1712	458	850	128
42 U	600	2060	600	ER 064206	1	3	400	1800	1810	350	512	1912	458	450	108
			800	ER 064208	1	3	400	1800	1810	550	512	1912	458	650	123
			1000	ER 064210	1	3	400	1800	1810	750	512	1912	458	850	137
47 U	600	2260	600	ER 064706	1	3	400	2000	2010	350	512	2112	458	450	116
			800	ER 064708	1	3	400	2000	2010	550	512	2112	458	650	131
			1000	ER 064710	1	3	400	2000	2010	750	512	2112	458	850	146
39 U	800	1860	ER 083908	1	3	600	1600	1610	350	712	1712	658	650	136	
42 U		2060	ER 084208	1	3	600	1800	1810	550	712	1912	658	650	146	
47 U		2260	ER 084710	1	3	600	2000	2010	750	712	2112	658	850	174	

* 1U = 44.45 mm



Characteristics

Material

Sheet Steel (EN 10130 DC01)

- Frame : 2 mm
- Top & bottom tray : 1.5 mm

Surface Finishing

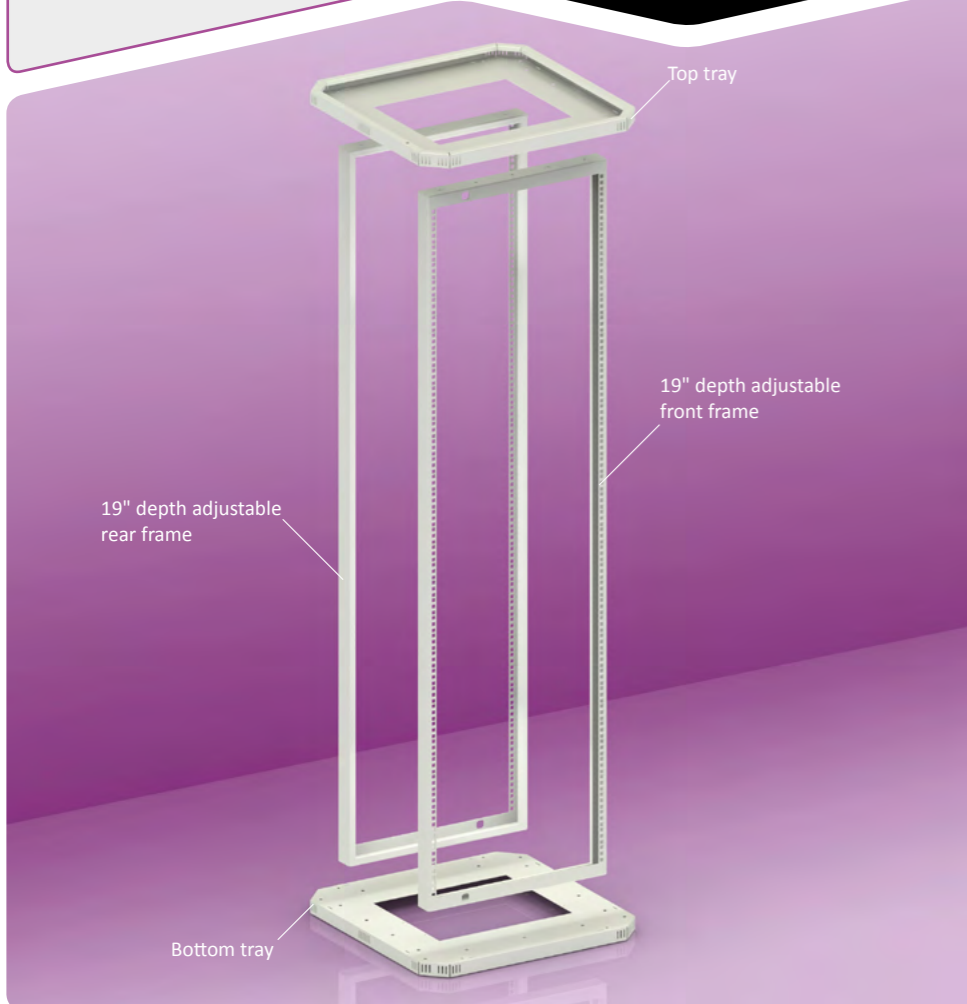
- RAL7035w powder coating

Others

- 19" depth adjustable front/rear frame
- Top / Bottom tray

On Request

- Special sizes
- Special colour
- Pre-punching
- Special Racks
- Special mounting plate



Supply Includes

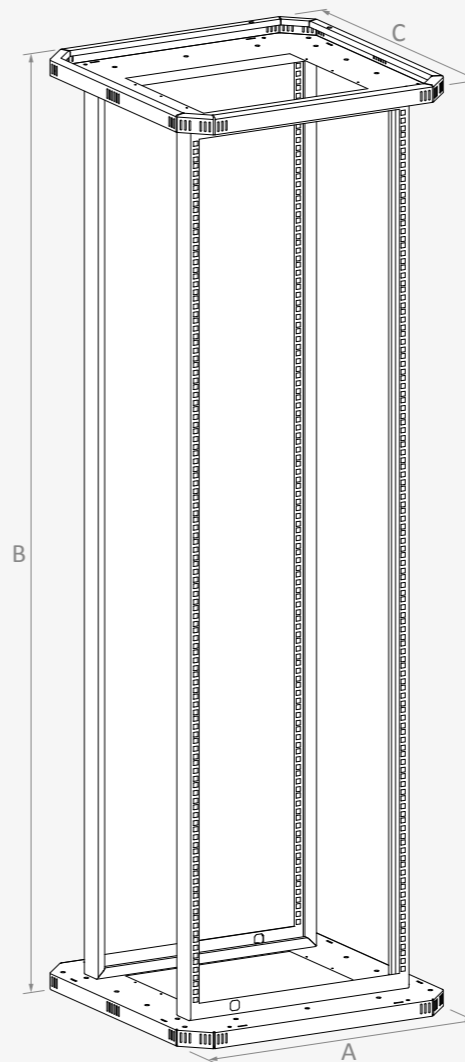
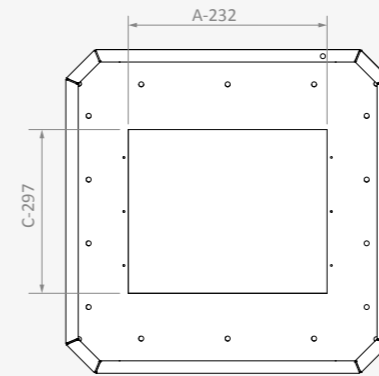
- Front and rear frame
- Top & bottom tray

Complementary Accessories

- 19" equipment shelf
- 19" adjustable perforated shelf
- 19" pull out perforated shelf
- Vented dust protection hood

Height units *	Width			Reference	Useful Area Bottom / Top		Weight
	A	B	C		↔	↗	
	mm	mm	mm		mm	mm	
29 U	600	1425	800	PDR 062908	368	503	30.1
36 U		1735	800	PDR 063608	368	503	32.9
40 U		1910	800	PDR 064008	368	503	34.6
44 U		2090	800	PDR 064408	368	503	36.2

* 1U = 44.45 mm



Characteristics

Material

- Sheet Steel (EN 10130 DC01)
 - Body : 1.2 / 1.5 mm
 - Door : 2 mm
 - Plinth : 2 mm
- Galvanized Steel (EN 10346 DX51D+Z)
 - Mounting plate : 2 mm

Surface Finishing

- RAL7035w powder coating

IP Rating

- IP54 (TS 3033, EN 60529) (PT)

Others

- Foamed-in door PU sealing gasket
- Removable rear panel
- Depth adjustable mounting plate
- Top lid stopper
- Facility for double mounting plate

On Request

- Special sizes
- Special colour
- Pre-punching
- Special mounting plate



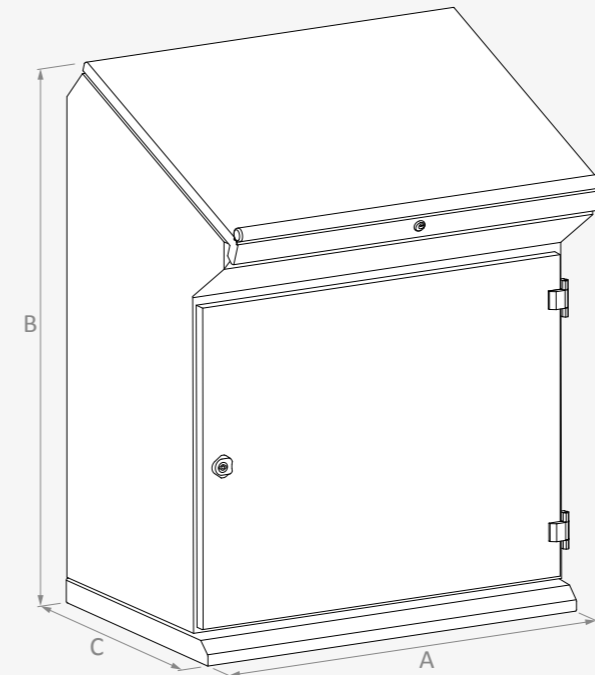
Supply Includes

- Body
- Door and lids
- Plinth
- Mounting plate
- 4 pcs side rails

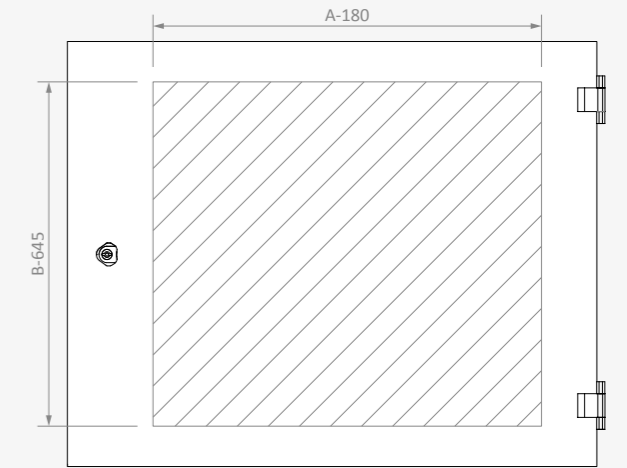
Complementary Accessories

- Door inside mounting profile
- Plan pocket
- Earthing cable

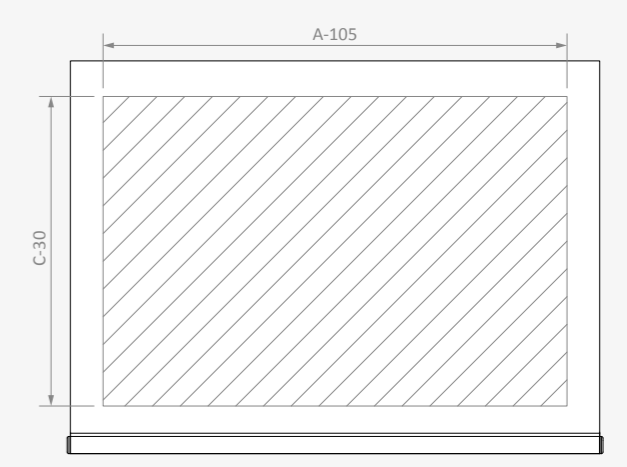
Width A	Height B	Depth C	Reference	Lower Door ad	Removable Rear Panel ad	Useful Area						Mounting Plate		Weight kg
						Top Lid		Lower Door		Rear Panel		↔	↕	
mm	mm	mm				↔ mm	↕ mm	↔ mm	↕ mm	↔ mm	↕ mm	↔ mm	↕ mm	
600	1065	400	PT 061040	1	1	495	370	420	420	500	790	502	802	49.8
		500	PT 061050	1	1	495	470	420	420	500	790	502	802	54.7
800	1065	500	PT 081050	1	1	695	470	620	420	700	790	702	802	65.0
		600	PT 081060	1	1	695	570	620	420	700	790	702	802	69.8
1000	1065	500	PT 101050	2	1	895	470	320 + 320	420	900	790	902	802	75.6
		600	PT 101060	2	1	895	570	320 + 320	420	900	790	902	802	81.2
1200	1065	600	PT 121060	2	1	1095	570	420 + 420	420	1100	790	1102	802	91.6



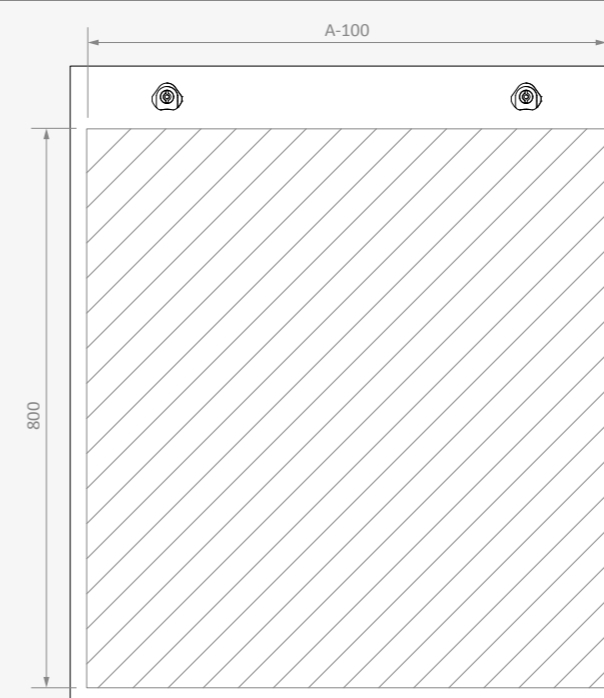
LOWER DOOR USEFUL AREA



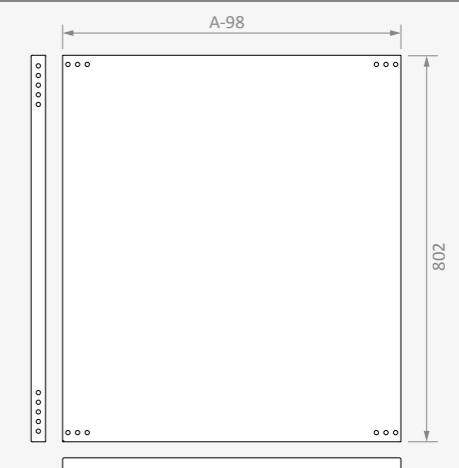
TOP LID USEFUL AREA



REAR PANEL USEFUL AREA



MOUNTING PLATE



Characteristics

- Material**
- Sheet Steel (EN 10130 DC01)
 - Body : 1.2 / 1.5 mm
 - Door : 1.5 mm
 - Plinth : 2 mm
 - Galvanized Steel (EN 10346 DX51D+Z)
 - Mounting plate : 2 mm
- Surface Finishing**
- RAL7035w powder coating
- IP Rating**
- IP55 (TS 3033, EN 60529) (PTE)
- Others**
- Foamed-in door PU sealing gasket
 - Top lid stopper



On Request

- Special sizes
- Special colour
- Pre-punching
- Special mounting plate



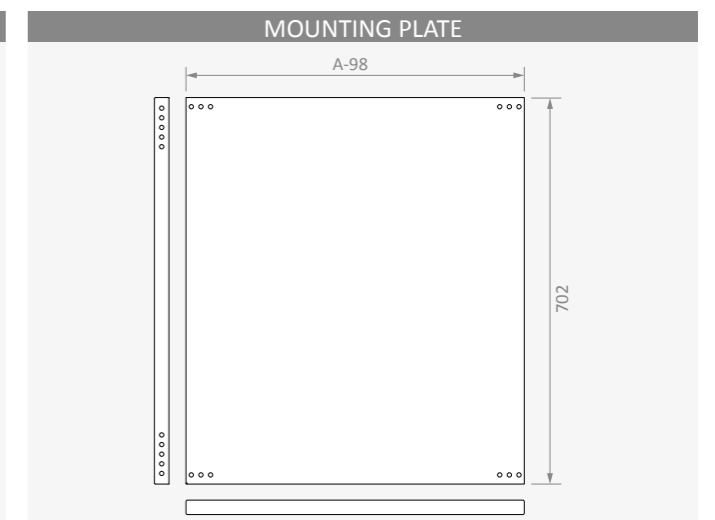
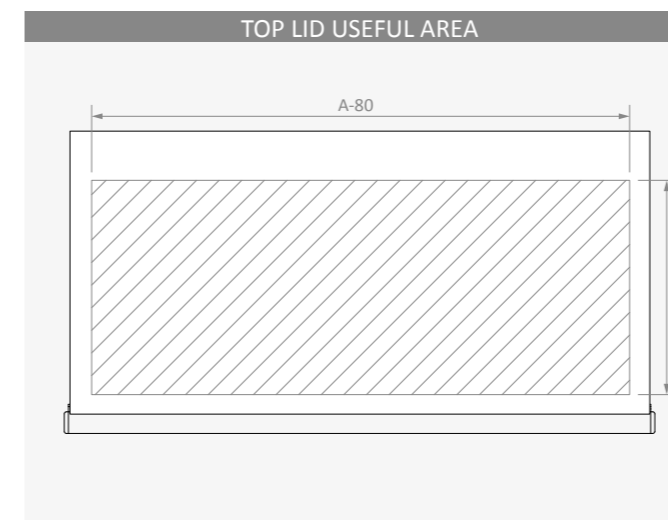
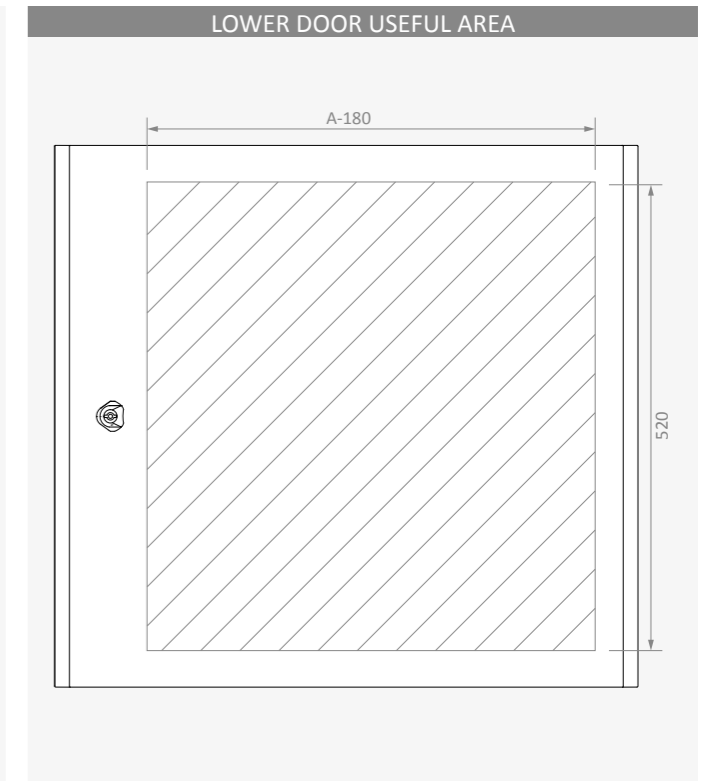
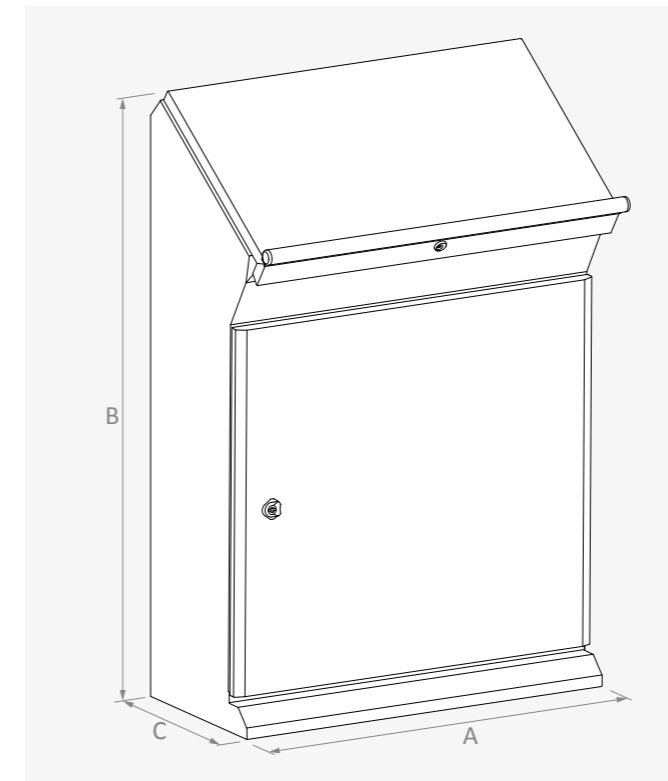
Supply Includes

- Body
- Door and lids
- Mounting plate

Complementary Accessories

- Door inside mounting profile
- Plan pocket
- Earthing cable

Width	Height	Depth	Reference	Lower Door	Useful Area				Mounting Plate		Weight
					Top Lid		Lower Door		Mounting Plate		
A	B	C			↔	↕	↔	↕	↔	↕	kg
mm	mm	mm		pcs	mm	mm	mm	mm	mm	mm	
500	1065	330	PTE 051033	1	420	270	320	520	402	702	29.7
600	1065	330	PTE 061033	1	520	270	420	520	502	702	24.8
700	1065	330	PTE 071033	1	620	270	520	520	602	702	39.9



Characteristics

Material

- Sheet Steel (EN 10130 DC01 CCRS)
 - Body : 1.5 mm
 - Door : 2 mm
 - Plinth : 2 mm
- Galvanized Steel (EN 10346 DX51D+Z)
 - Mounting plate : 2 mm

Surface Finishing

- RAL7035w powder coating

IP Rating

- IP54 (TS 3033, EN 60529)

Others

- Foamed-in door PU sealing gasket
- 150° opening front door
- Removable lower side panels
- Depth adjustable mounting plate
- Facility for double mounting plate

On Request

- Special sizes
- Special colour
- Pre-punching
- Special mounting plate



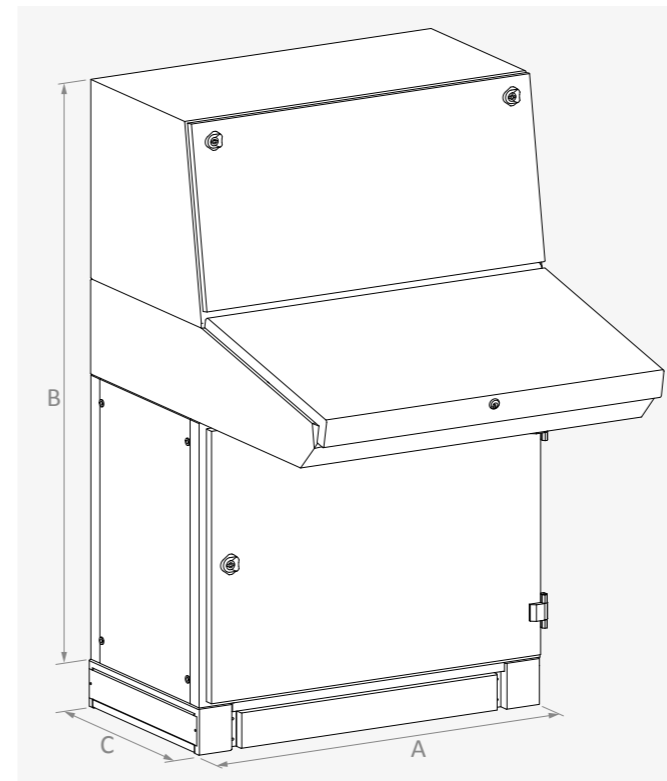
Supply Includes

- Body
- Door and lids
- Mounting plates
- Plinth
- 4+4 pcs side rails

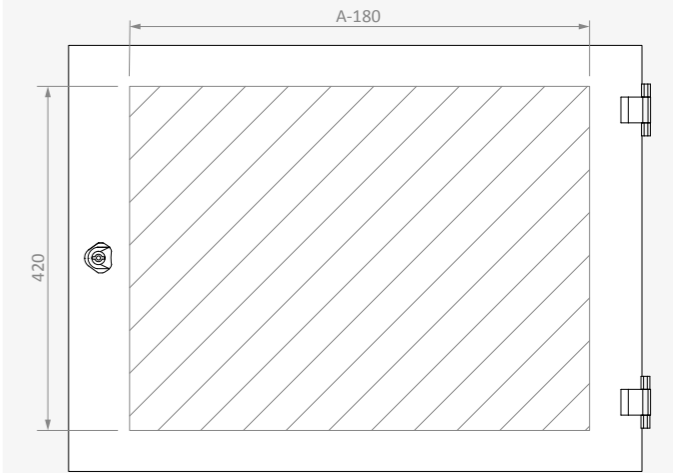
Complementary Accessories

- Door inside mounting profile
- Plan pocket
- Earthing cable

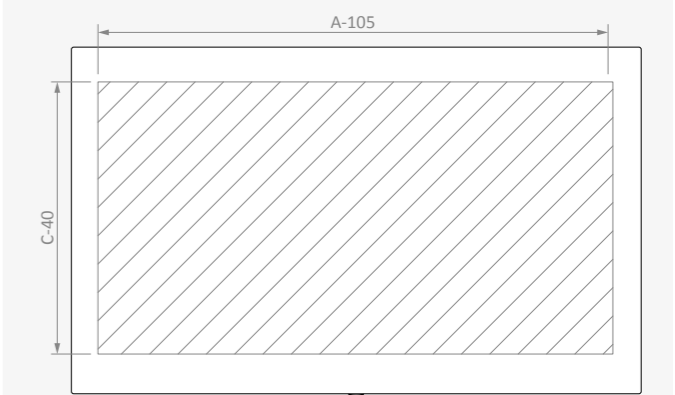
Width	Height	Depth	Reference	Lower Door	Removable Rear Panel	Useful Area						Mounting Plate		Weight
						Top Lid		Middle Lid		Lower Door		Mounting Plate		
A	B	C				↔	↕	↔	↗	↔	↕	↔	↕	kg
mm	mm	mm		pcs	pcs	mm	mm	mm	mm	mm	mm	mm	mm	
600	1320	400	PY 061340	1	1	500	265	495	360	420	420	502	502	68.6
800	1320	400	PY 081340	1	1	700	265	695	360	620	420	702	502	85.3
1200	1320	500	PY 121350	2	1	1100	265	1095	460	420 + 420	420	1102	502	122.2



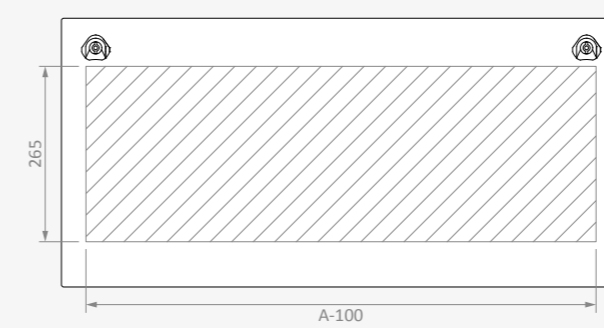
LOWER DOOR USEFUL AREA



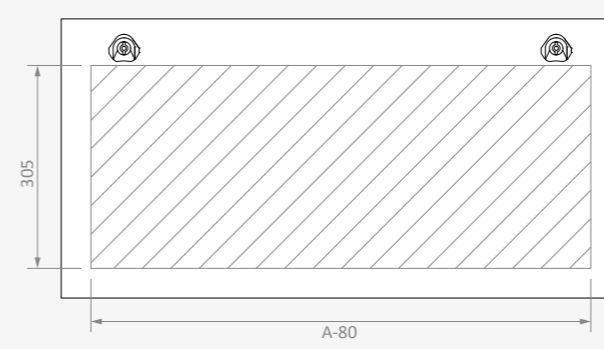
MIDDLE LID USEFUL AREA



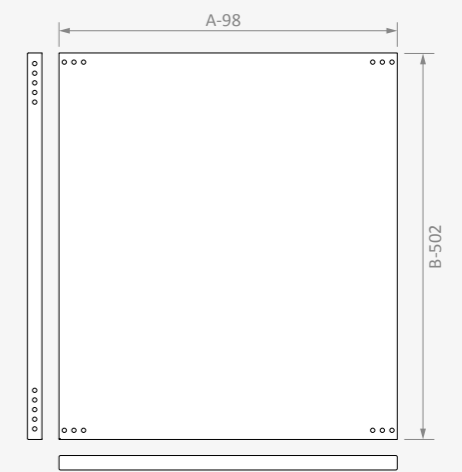
TOP LID USEFUL AREA



TOP REAR PANEL USEFUL AREA



MOUNTING PLATE



Characteristics

Material
 Sheet Steel (EN 10130 DC01)
 ■ Body : 1.5 mm
 ■ Door : 2 mm

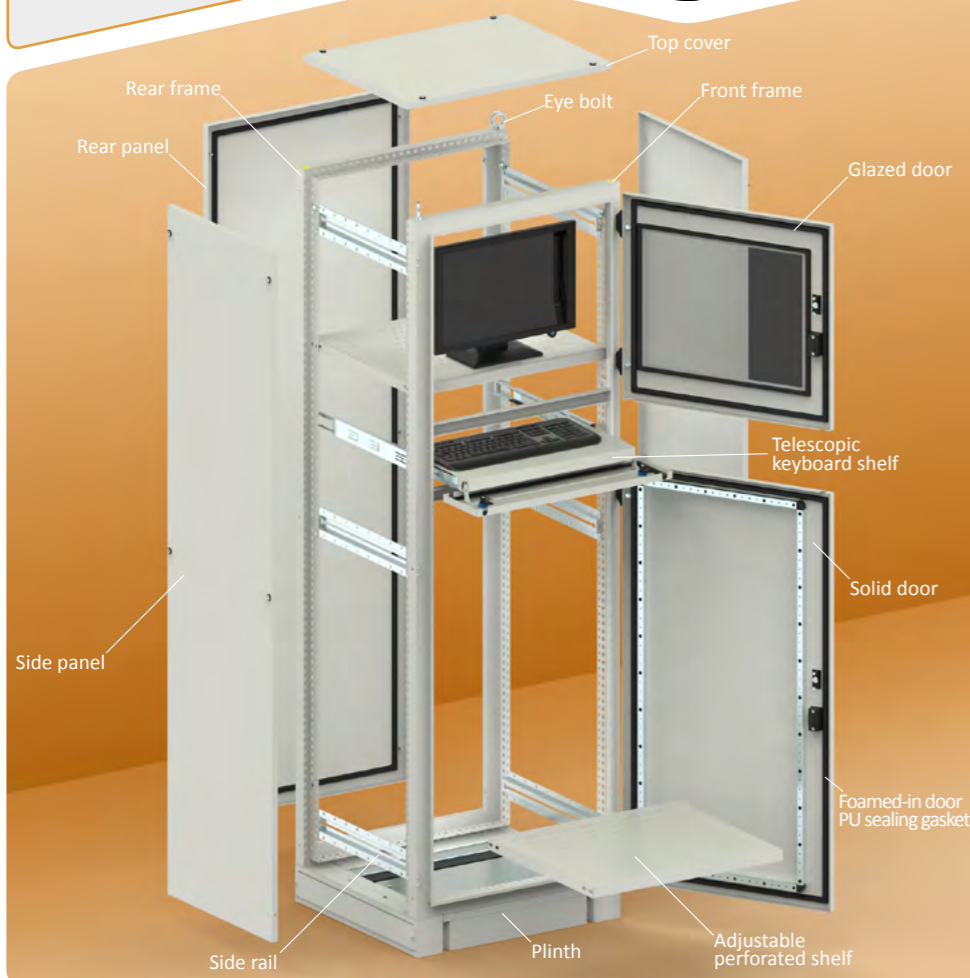
Surface Finishing
 ■ RAL7035w powder coating

IP Rating
 ■ IP54 (TS 3033, EN 60529)

Others
 ■ Glazed door for monitor viewing
 ■ Swing-handle polyamide lock
 ■ Foamed-in door PU sealing gasket
 ■ Adjustable monitor shelf
 ■ Lockable folding keyboard panel

On Request

- Special sizes
- Special colour
- Pre-punching



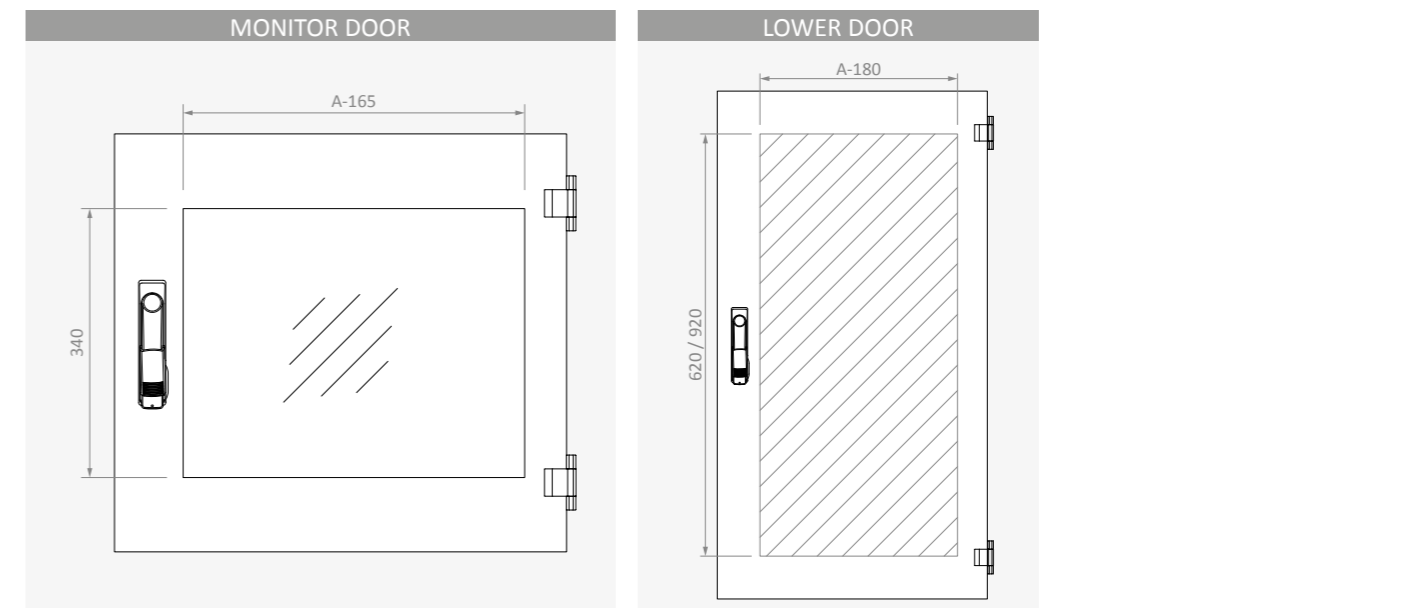
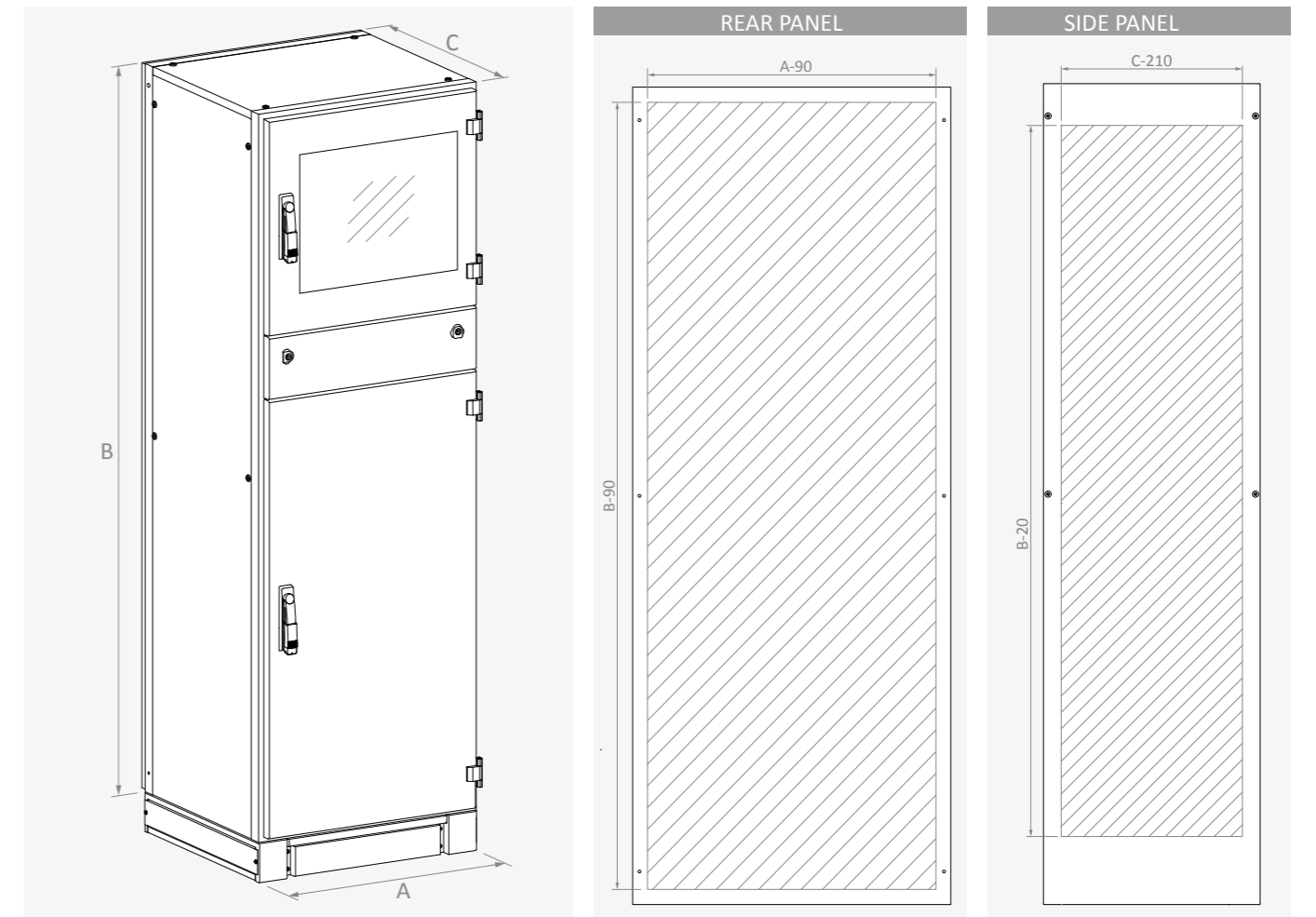
Supply Includes

- Body
- Doors
- Side panels
- Rear panel
- 6 pcs side rails
- Plinth

Complementary Accessories

- Adjustable perforated shelf
- Pull out perforated shelf
- Power distribution unit
- Plan pocket
- Castor
- Earthing cable

Width	Height	Depth	Reference	Door	Glazed Door	Hinge	Useful Area						Apparent Area		Weight
							Lower Door		Rear panel		Side Panel		Monitor Door		
A	B	C		pcs	Y / N	pcs	↔ mm	↕ mm	↔ mm	↕ mm	↗ mm	↕ mm	↔ mm	↕ mm	kg
600	1500	600	PC 061560	2	✓	4	420	620	510	1410	390	1480	435	300	85
	1800	600	PC 061860	2	✓	4	420	920	510	1710	390	1780	435	300	96
		800	PC 061880	2	✓	4	420	920	510	1710	590	1780	435	300	109
800	1500	600	PC 081560	2	✓	4	620	620	710	1410	390	1480	635	300	97
	1800	600	PC 081860	2	✓	4	620	920	710	1710	390	1780	635	300	110
		800	PC 081880	2	✓	4	620	920	710	1710	590	1780	635	300	123



Characteristics

Material

Sheet Steel (EN 10130 DC01)

- Frame : 1.5 mm
- Door : 1.5 mm
- Plinth : 2 mm

Surface Finishing

- RAL7035w powder coating

Others

- Multi purpose prime frame
- Glazed security door for monitor viewing
- Lockable folding keyboard panel
- Lockable and removable rear panel
- Vented removable side panels
- Adjustable monitor shelf
- Vented dust protection hood
- Optional hinged rear door
- Optional filter or fan fitted, brushed cable entry or perforated cover plates

On Request

- Special sizes
- Special colour
- Pre-punching
- Special mounting plate
- Special Racks



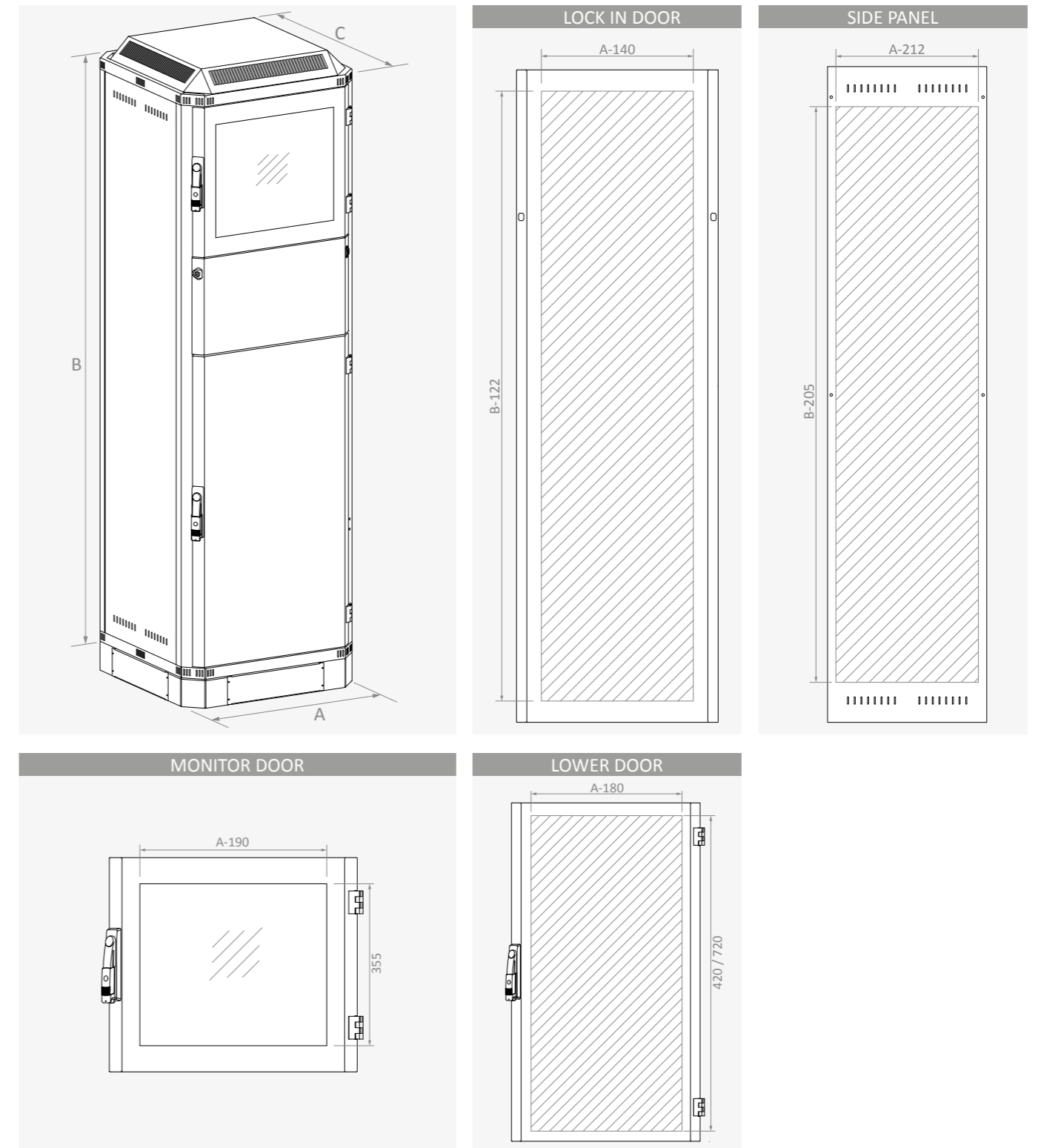
Supply Includes

- Front and rear frame
- Door and rear panel
- Plinth
- Side panels
- Vented dust protection hood

Complementary Accessories

- Levelling feet
- Castor
- Top protection plate
- Top and bottom partial cover plates
- Power distribution unit
- Pull out printer shelf
- Adjustable perforated shelf
- Pull out perforated shelf
- Cable clamp profile
- Side rail
- Plan pocket
- Locks
- Earthing cable

Width A	Height B	Depth C	Reference	Apparent Area		Useful Area					
				Monitor Door		Lower Door		Side Panel		Lock In Door	
				↔ mm	↕ mm	↔ mm	↕ mm	↕ mm	↗ mm	↔ mm	↕ mm
600	850	600	PPC 060806	410	355	--	--	742	388	460	728
	1515	600	PPC 061506	410	355	420	420	1320	388	460	1393
	1825	600	PPC 061806	410	355	420	720	1620	388	460	1703
	1825	800	PPC 061808	410	355	420	720	1620	588	460	1703
800	850	600	PPC 080806	610	355	--	--	742	388	660	728
	1515	600	PPC 081506	610	355	620	420	1320	388	660	1393
	1825	600	PPC 081806	610	355	620	720	1620	388	660	1703
	1825	800	PPC 081808	610	355	620	720	1620	588	660	1703



Characteristics

Material

- Sheet Steel (EN 10130 DC01 CCRS)
- Body : 1.2 mm
- Door : 1.2 mm

Surface Finishing

- RAL7035w powder coating

IP Rating

- IP55 (TS 3033, EN 60529)

Others

- Left and right handles
- Foamed-in rear door PU sealing gasket
- Hinged lockable rear door
- Top cable entry



On Request

- Special sizes
- Special mounting plate
- Pre-punching



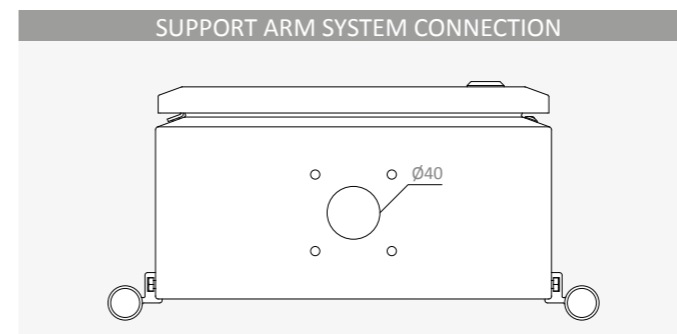
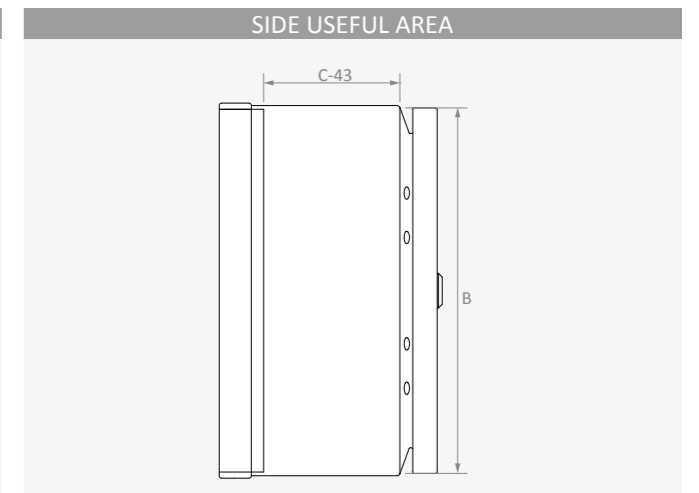
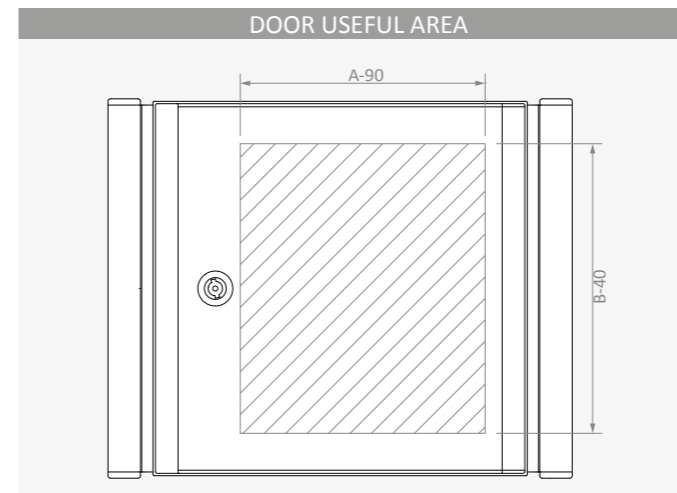
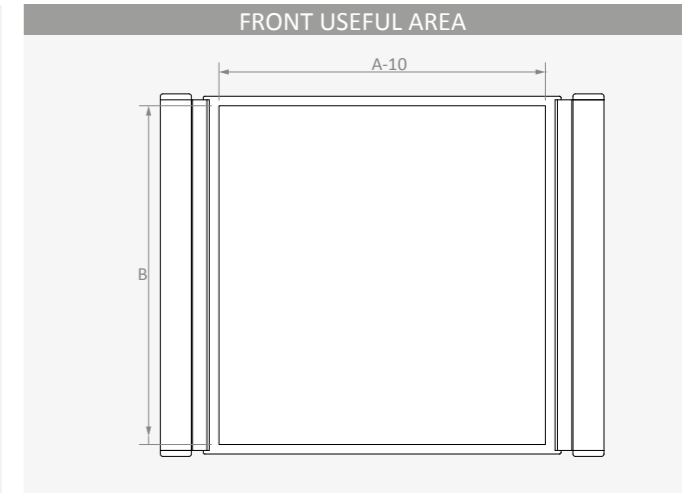
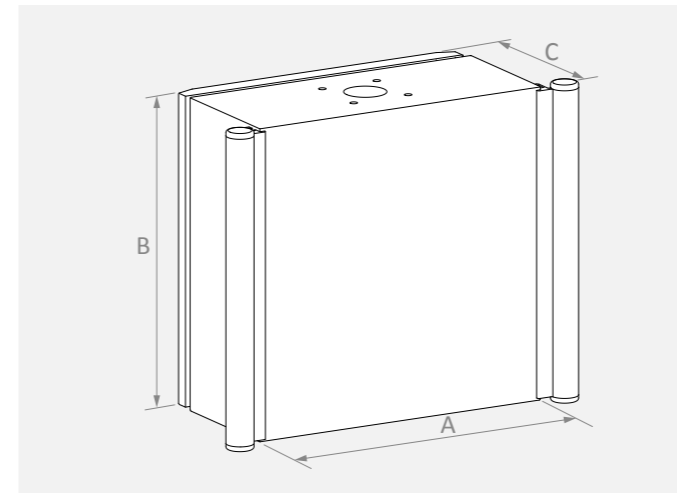
Supply Includes

- Body
- Lockable rear door
- Handles

Complementary Accessories

- Earthing cable
- DIN rail

Width A	Height B	Depth C	Reference	Useful Area		Rear Door		Front Useful Area		Cable Gland (Top)	
				Side						# pcs	∅ mm
300	300	160	KPA 030316	300	117	210	260	290	300	1	40
	400	160	KPA 030416	400	117	210	360	290	400	1	40
400	400	160	KPA 040416	400	117	310	360	390	400	1	40
	500	160	KPA 040516	500	117	310	460	390	500	1	40
500	500	160	KPA 050516	500	117	410	460	490	500	1	40



Characteristics

Material

- Sheet Steel (EN 10130 DC01)
 - Body : 1.5 mm
 - Plinth : 2 mm
- Galvanized Steel (EN 10346 DX51D+Z)
 - Mounting plate : 2 mm

Surface Finishing

- RAL7035w / RAL5002w powder coating

Others

- PC and UPS can be placed in lower compartment
- Rear panel for easy access
- Monitor section with removable rear panel
- Monitor / security glass can be placed
- Cable entry through the plinth facilities



On Request

- Special sizes
- Special colour
- Pre-punching

Supply Includes

- Lower compartment
- Monitor section
- Plinth

Complementary Accessories

- Mounting plate
- DIN rail
- Earthing cable



Width	Height	Reference	Dimensions						Monitor Security Glass	
			Lower Panel			Monitor Section			↔ mm	↕ mm
			↔ mm	↕ mm	↗ mm	↔ mm	↕ mm	↗ mm		
mm	mm	KSK 521310	460	902	200	460	500	100	384	283

Characteristics

Material

- Sheet Steel (EN 10130 DC01)
 - Body : 1.5 mm
 - Lid : 1.5 mm

Surface Finishing

- RAL7035w powder coating

IP Rating

- IP55 (TS 3033, EN 60529)

Others

- Left and right handles
- front rear screw lids
- Foamed-in rear lid PU sealing gasket
- Top cable entry

On Request

- Special sizes
- Special mounting plate
- Pre-punching

Width	Height	Depth	Reference
A	B	C	
mm	mm	mm	
400	620	160	KMP 040616
500	620	160	KMP 050616



Characteristics

Material

- Sheet Steel (EN 10130 DC01)
 - Body : 1.5 mm
 - Lid : 1.5 mm

Surface Finishing

- RAL7035w powder coating

IP Rating

- IP55 (TS 3033, EN 60529)

Others

- Bottom handles
- Top cable entry

On Request

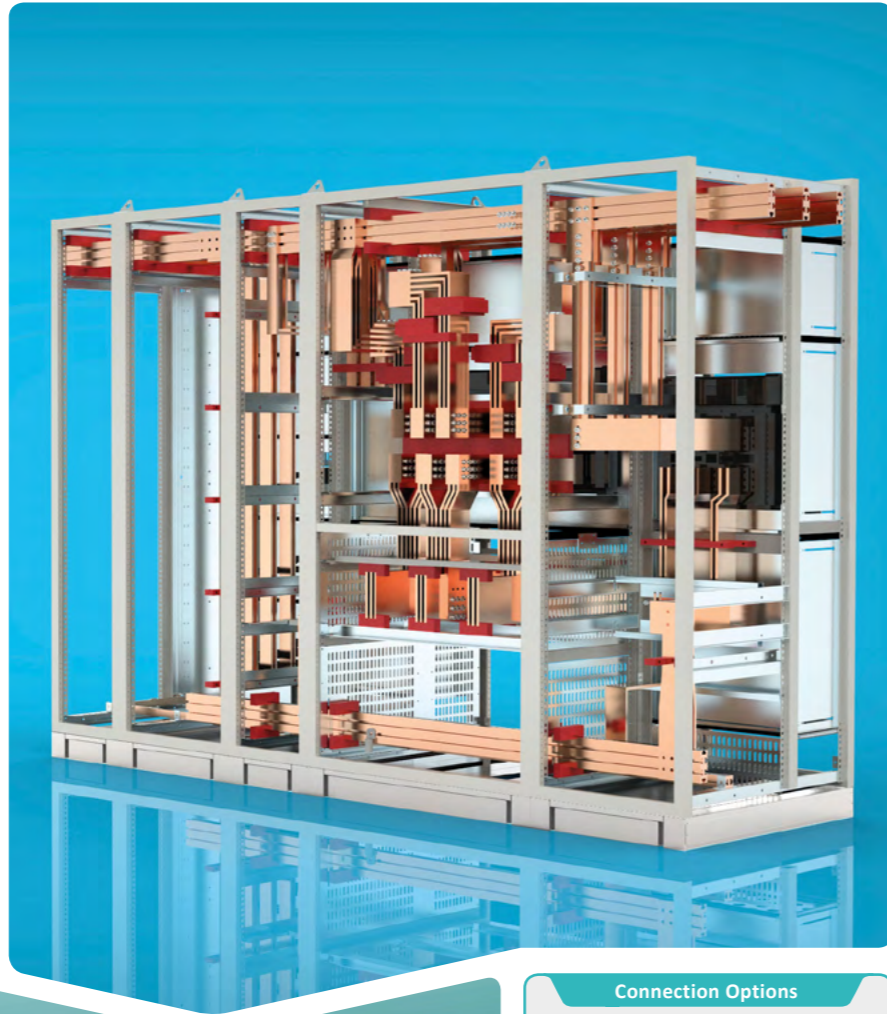
- Special sizes
- Special mounting plate
- Pre-punching

Width	Height	Depth	Reference
A	B	C	
mm	mm	mm	
320	510	150	KPD 030315



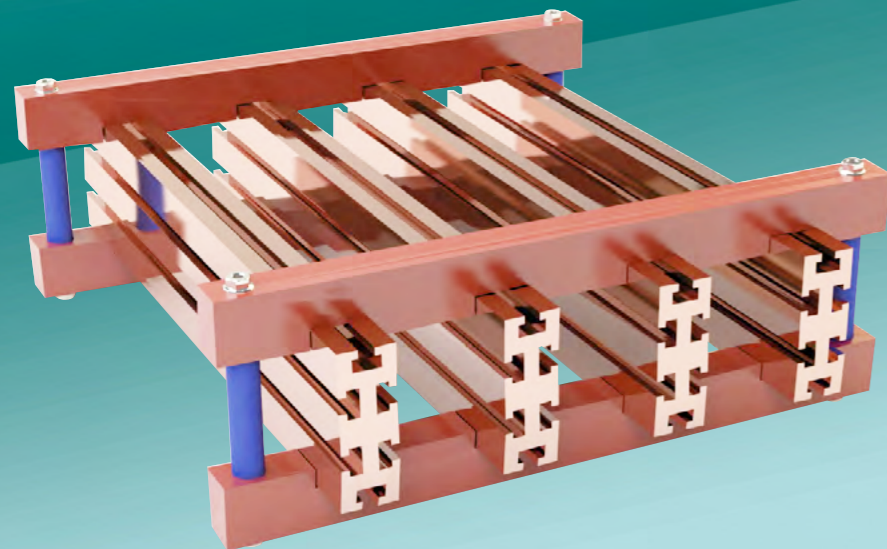
Characteristics

- High mechanical strength
- Advantage of high cooling surface area
- Less isolator requirement for high short-circuit withstand
- Temperature rise and short-circuit withstand tested according to IEC 61439-2
- 3 different lengths compatible with the standard enclosure sizes
- 3 different cross section sizes up to 4000A
- Drilling is not required for the connection
- Easy connection via special nuts and bolts
- Advantage of using standard M10 bolts for the connections
- No-drilling saves power-off time for changes to be made after commissioning

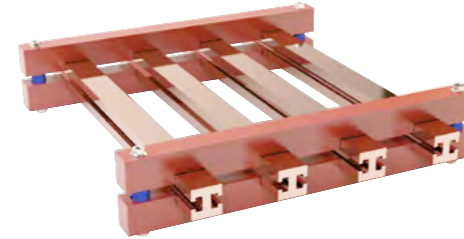
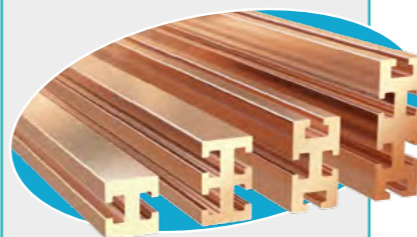
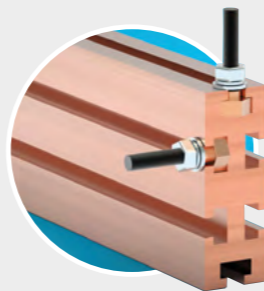
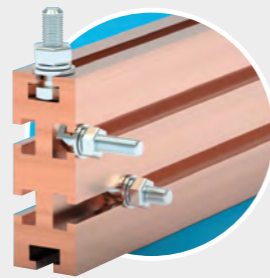


K-BAR[®]
channel bar

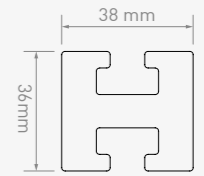
Less labor requirement
reliable and economic
solution



Connection Options



2000A

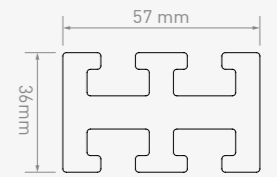


Current Capacity A	Cross Section mm x mm	Length mm	Reference
2000	38 x 36	1130	BRBR 038361130
		1930	BRBR 038361930
		2330	BRBR 038362330
		4660	BRBR 038364660

Cross Section Area mm ²	Perimeter mm	Short-circuit Current		Max. Mounting Distance For 3P/4P mm
		peak	r.m.s	
979.2	223.4	132 kA	60 kA	750
		176 kA	80 kA	550
		220 kA	100 kA	450
		264 kA	120 kA	370



2500A

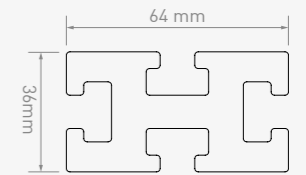


Current Capacity A	Cross Section mm x mm	Length mm	Reference
2500	57 x 36	1130	BRBR 057361130
		1930	BRBR 057361930
		2330	BRBR 057362330
		4660	BRBR 057364660

Cross Section Area mm ²	Perimeter mm	Short-circuit Current		Max. Mounting Distance For 3P/4P mm
		peak	r.m.s	
1275.1	338,5	132 kA	60 kA	850
		176 kA	80 kA	620
		220 kA	100 kA	500
		264 kA	120 kA	420



3200A

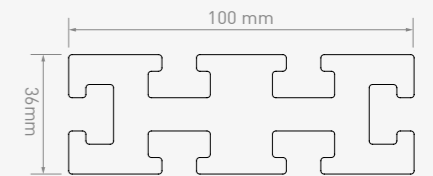


Current Capacity A	Cross Section mm x mm	Length mm	Reference
3200	64 x 36	1130	BRBR 064361130
		1930	BRBR 064361930
		2330	BRBR 064362330
		4660	BRBR 064364660

Cross Section Area mm ²	Perimeter mm	Short-circuit Current		Max. Mounting Distance For 3P/4P mm
		peak	r.m.s	
1527.2	352.6	132 kA	60 kA	1000
		176 kA	80 kA	750
		220 kA	100 kA	600
		264 kA	120 kA	500



4000A



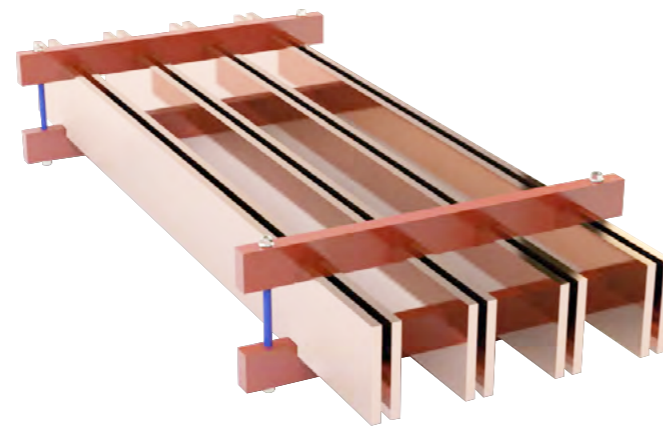
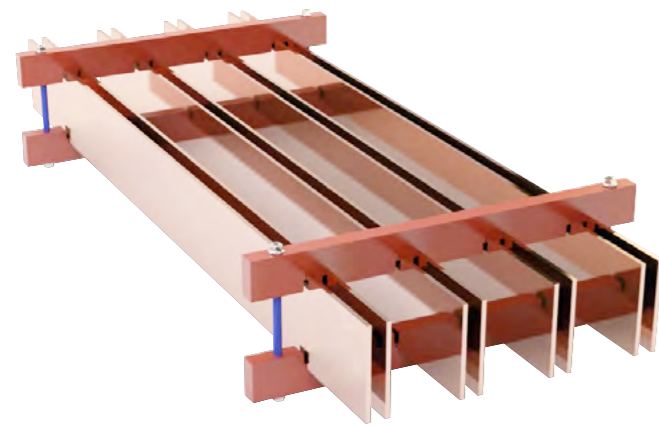
Current Capacity A	Cross Section mm x mm	Length mm	Reference
4000	100 x 36	1130	BRBR 100361130
		1930	BRBR 100361930
		2330	BRBR 100362330

Cross Section Area mm ²	Perimeter mm	Short-circuit Current		Max. Mounting Distance For 3P/4P mm
		peak	r.m.s	
2435.2	501.7	132 kA	60 kA	1300
		176 kA	80 kA	1000
		220 kA	100 kA	800
		264 kA	120 kA	600

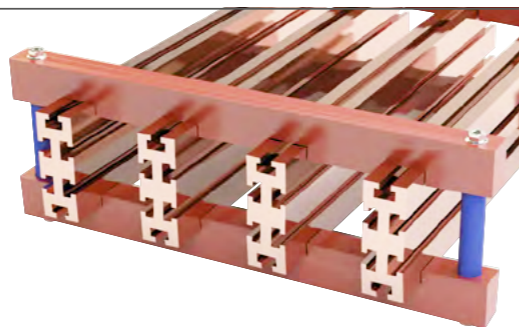
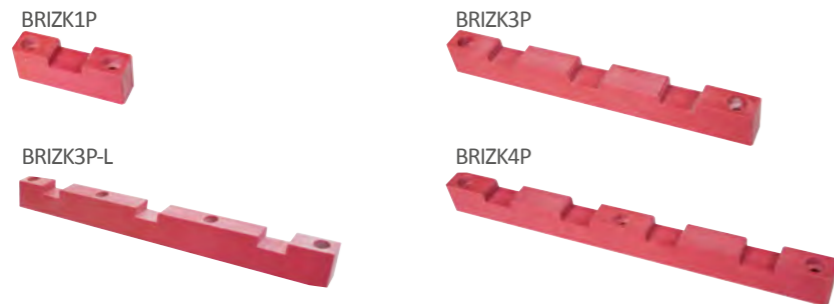
Recommended isolator mounting distances for busbar flat bars

BUSBAR	Short-circuit Current				
	peak	40 kA	84 kA	132 kA	165 kA
	r.m.s	20 kA	40 kA	60 kA	75 kA
	Maximum mounting distance for 3P/4P Standard Isolators				
	mm	mm	mm	mm	mm
30 * 10 x 1	750	360	230	185	
30 * 10 x 2	670	320	200	160	
40 * 10 x 1	880	420	270	215	
40 * 10 x 2	800	380	245	195	
50 * 10 x 1	1000	480	300	240	
50 * 10 x 2	920	440	280	225	
60 * 10 x 1	1000	520	330	265	
60 * 10 x 2	1000	500	320	250	
80 * 10 x 1	1200	620	390	310	
80 * 10 x 2	1200	610	390	310	
100 * 10 x 1	1200	700	450	360	
100 * 10 x 2	1200	720	450	360	
120 * 10 x 1	1200	780	500	400	
120 * 10 x 2	1200	820	525	400	
160 * 10 x 1	1200	950	600	440	
160 * 10 x 2	1200	1000	650	460	

BUSBAR	Short-circuit Current				
	peak	40 kA	63 kA	84 kA	110 kA
	r.m.s	20 kA	30 kA	40 kA	50 kA
	Maximum mounting distance for 3P/4P Standard Isolators				
	mm	mm	mm	mm	mm
40 * 5 x 1	440	280	210	170	
40 * 5 x 2	400	250	190	155	
50 * 5 x 1	500	320	240	190	
50 * 5 x 2	460	290	220	175	
60 * 5 x 1	550	350	260	210	
60 * 5 x 2	520	330	250	200	
80 * 5 x 1	640	410	310	250	
80 * 5 x 2	640	410	300	245	
100 * 5 x 1	750	470	350	285	
100 * 5 x 2	750	480	360	285	



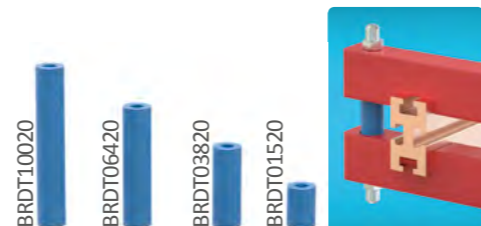
K-BAR Isolators



Flat Busbar Isolators



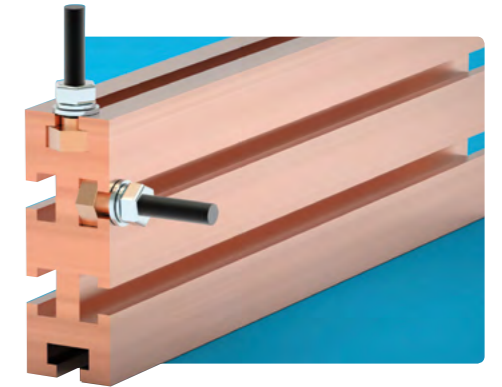
Spacer



K-Bar M8 nut / M8 setscrew bolt



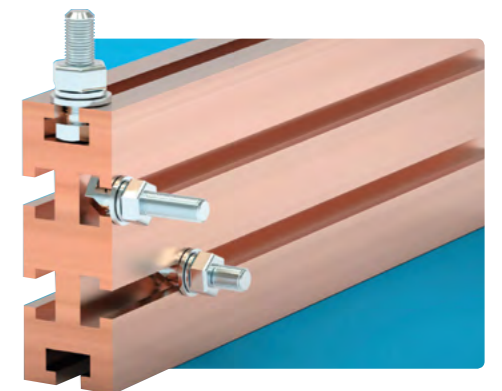
BRKBCM0835SS0



K-Bar (T) M10 bolt / Standard M10 bolt



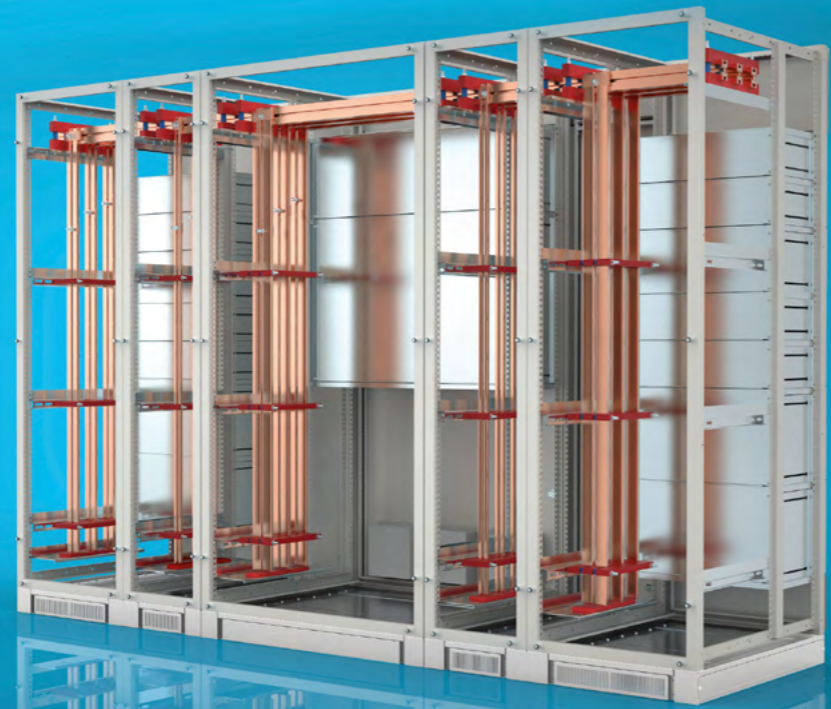
BRKBCM1045TB1



Characteristics

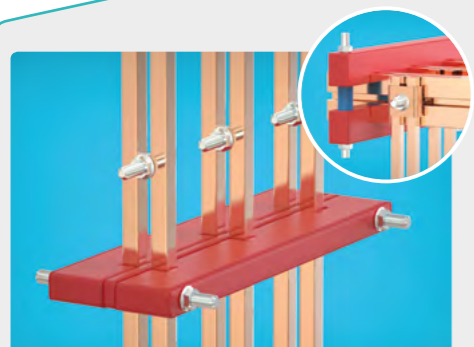
- Easybar is a special busbar system
- Easybar has a complementary feature of K-Bar main busbar system with 630A, 1250A and 1600A current ratings
- Easybar with its unique supports is a double busbar system which has 10mm channel between and does not need to be drilled for connections
- It has a special T type bolts for easy connections

Easy-bar system for quick & easy connections

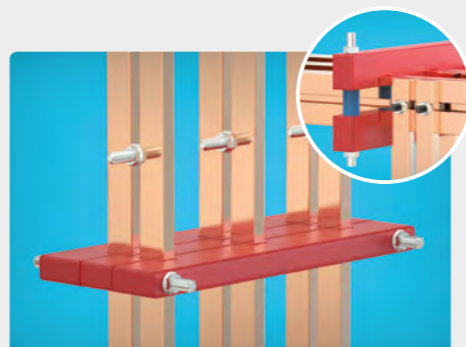


easybar[®]
New Design System

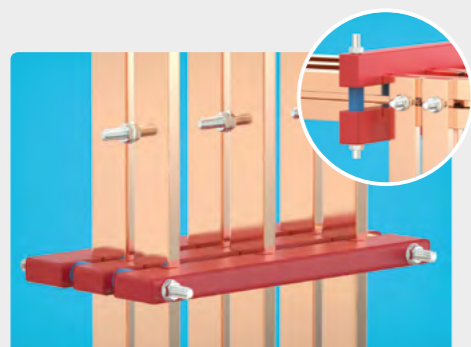
Connection Options



630A



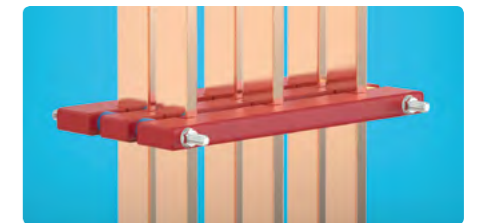
1250A



1600A

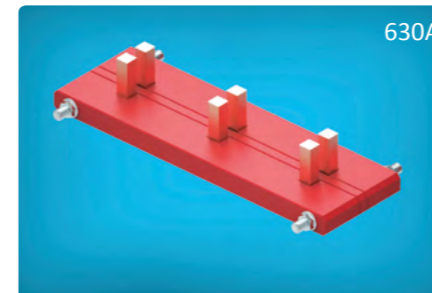
Recommended isolator mounting distances for Easybar

Short-circuit Current	Maximum mounting distances for Easybar support			
	50 kA	60 kA	70 kA	85 kA
r.m.s. (kA)	50 kA	60 kA	70 kA	85 kA
peak (kA)	110 kA	132 kA	154 kA	187 kA
12,5x12,5mm Easybar	300mm	260mm	-	-
25x12,5mm Easybar	420mm	400mm	380mm	340mm
40x12,5mm Easybar	480mm	460mm	440mm	420mm



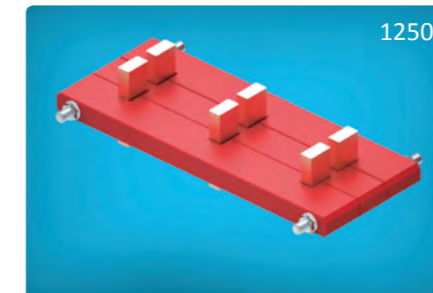
Easy Bar Isolators

3 Pole support sets



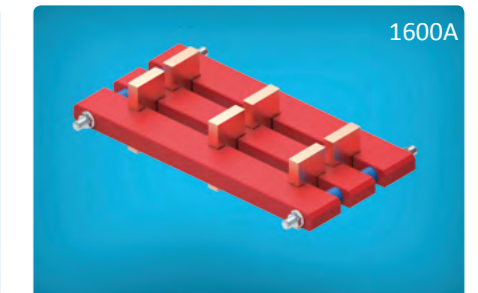
630A

BRIZE3P-TK0630



1250A

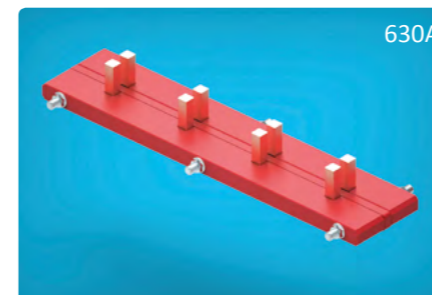
BRIZE3P-TK01250



1600A

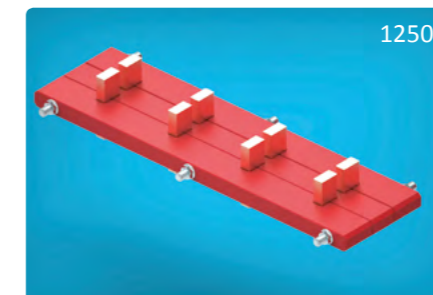
BRIZE3P-TK01600

4 Pole support sets



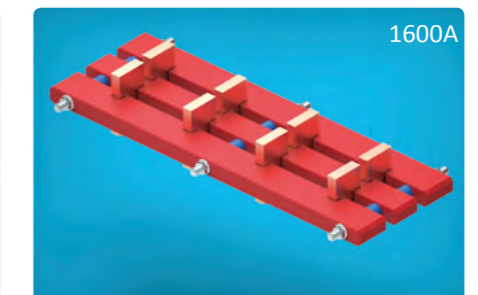
630A

BRIZE4P-TK0630



1250A

BRIZE4P-TK01250



1600A

BRIZE4P-TK01600

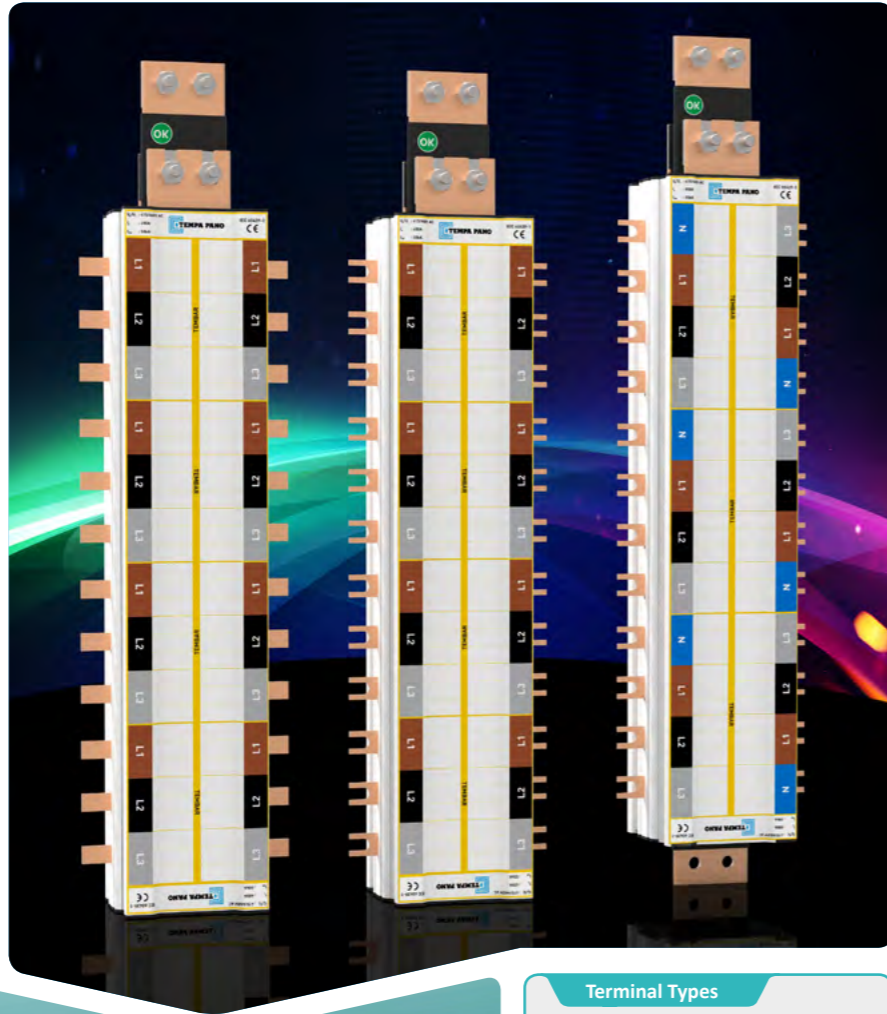
CONNECTION EQUIPMENT

Easy Bar M10 (T) bolt



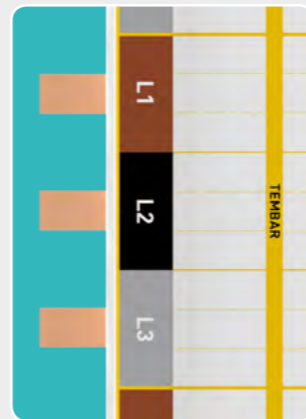
Characteristics

- Totally encapsulated, fully insulated 400A & 800A 415V_{AC} busbar system
- 400A / 800A system short circuit withstand is certified at 50 kA for 1second
- Suitable for BSEN / EN / IEC 60439-1 form 1-4 switchboard construction
- One piece copper construction
- Maintenance free
- Colour coding for all connections as standard
- Shroud for spare / unused outgoing terminals
- 400A - 800A incoming interconnectors
- Designed to direct connection for most major manufacturers MCCBs having outgoing terminal centres of 25,30 and 35mm
- Tin plated as standart

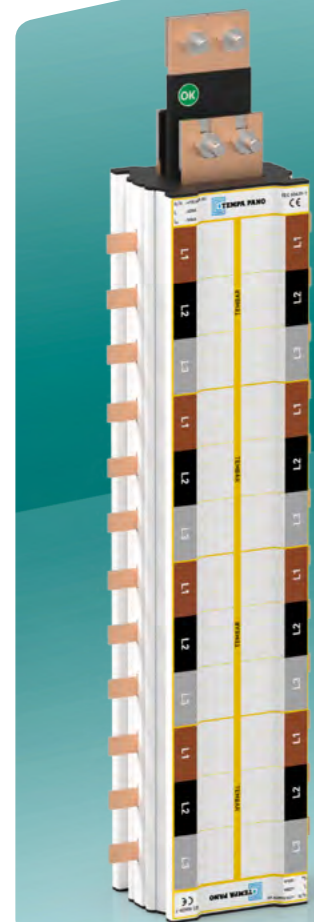
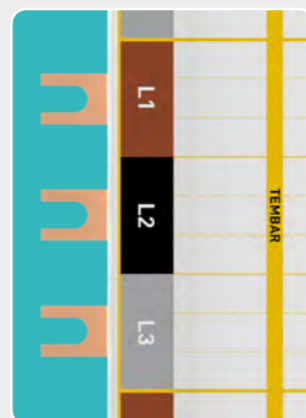


Terminal Types

N Type Terminal



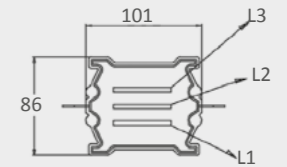
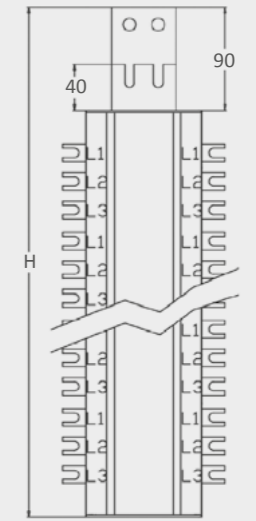
H Type Terminal



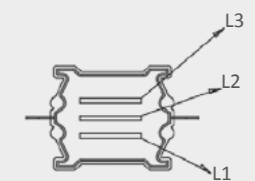
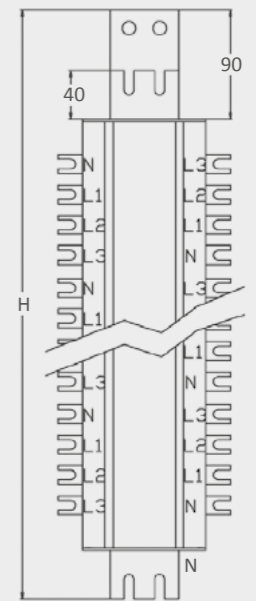
Incoming Current	pole	Outgoing Terminal Centres	Way	Reference	H	Type	Mounting Kit Reference
A		mm			mm		
400	3	25	6	TT 06254X	389	1	TT BK0625
			8	TT 08254X	470	1	TT BK0825
			10	TT 10254X	551	1	TT BK1025
			12	TT 12254X	632	1	TT BK1225
		30	6	TT 06304X	415	1	TT BK0630
			8	TT 08304X	505	1	TT BK0830
			10	TT 10304X	595	1	TT BK1030
			12	TT 12304X	686	1	TT BK1230
		35	6	TT 06354X	456	1	TT BK0635
			8	TT 08354X	561	1	TT BK0835
			10	TT 10354X	666	1	TT BK1035
			12	TT 12354X	771	1	TT BK1235
	3+N	25	6	TM 06254X	508	2	TM BK0625
			8	TM 08254X	613	2	TM BK0825
			10	TM 10254X	718	2	TM BK1025
			12	TM 12254X	823	2	TM BK1225
		30	6	TM 06304X	551	2	TM BK0630
			8	TM 08304X	671	2	TM BK0830
			10	TM 10304X	791	2	TM BK1030
			12	TM 12304X	911	2	TM BK1230
		35	6	TM 06354X	607	2	TM BK0635
			8	TM 08354X	747	2	TM BK0835
			10	TM 10354X	887	2	TM BK1035
			12	TM 12354X	1027	2	TM BK1235
800	3	25	6	TT 06258X	389	1	TT BK0625
			8	TT 08258X	470	1	TT BK0825
			10	TT 10258X	551	1	TT BK1025
			12	TT 12258X	632	1	TT BK1225
		30	6	TT 06308X	415	1	TT BK0630
			8	TT 08308X	505	1	TT BK0830
			10	TT 10308X	595	1	TT BK1030
			12	TT 12308X	686	1	TT BK1230
		35	6	TT 06358X	456	1	TT BK0635
			8	TT 08358X	561	1	TT BK0835
			10	TT 10358X	666	1	TT BK1035
			12	TT 12358X	771	1	TT BK1235
	3+N	25	6	TM 06258X	508	2	TM BK0625
			8	TM 08258X	613	2	TM BK0825
			10	TM 10258X	718	2	TM BK1025
			12	TM 12258X	823	2	TM BK1225
		30	6	TM 06308X	551	2	TM BK0630
			8	TM 08308X	671	2	TM BK0830
			10	TM 10308X	791	2	TM BK1030
			12	TM 12308X	911	2	TM BK1230
		35	6	TM 06358X	607	2	TM BK0635
			8	TM 08358X	747	2	TM BK0835
			10	TM 10358X	887	2	TM BK1035
			12	TM 12358X	1027	2	TM BK1235

H : H Type Terminal
N : N Type Terminal

Type 1



Type 2



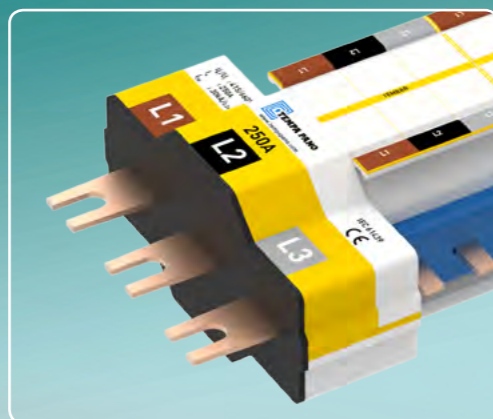
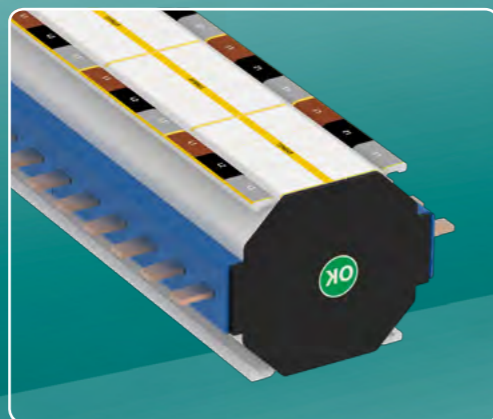
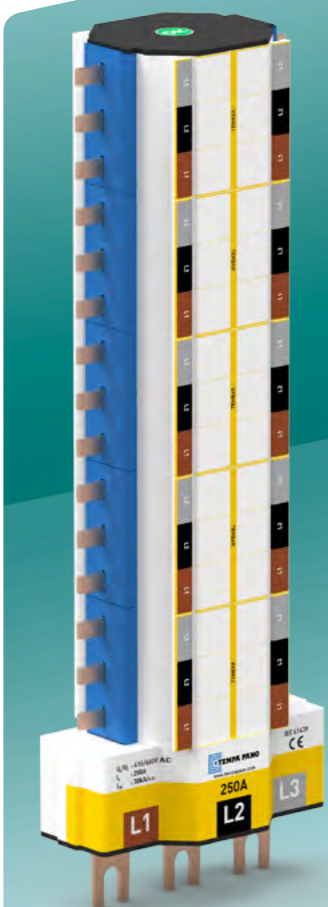
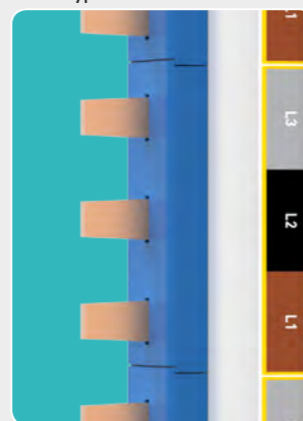
Characteristics

- Totally encapsulated, fully insulated 63A,100A and 250A 415V_{AC} busbar system
- 63A,100A and 250A system short circuit withstand is certified at 30 kA (conditional)
- Suitable for BSEN / EN / IEC 60439-1 form 1-4 switchboard construction
- One piece copper construction
- Maintenance free
- Colour coding for all connections as standard
- Shroud for spare / unused outgoing terminals
- Direct connection to the incoming MCCB terminals
- Designed to direct connection for most major manufacturers MCBs having outgoing terminal centres of 18mm
- Tin plated as standart



Terminal Types

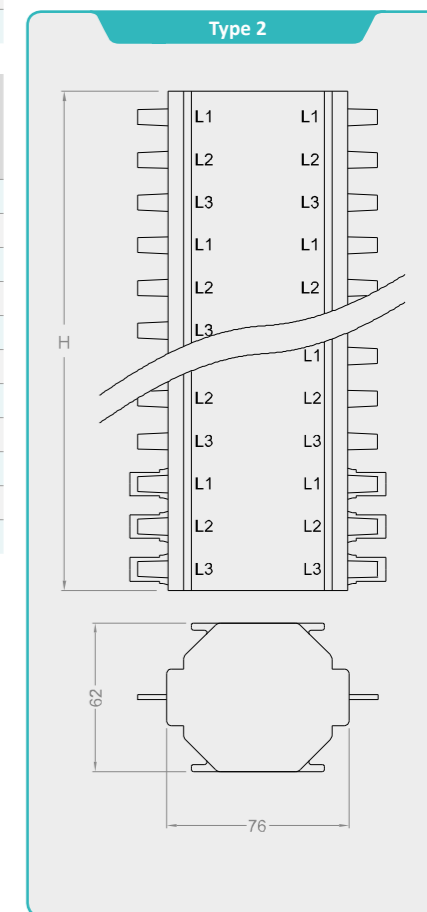
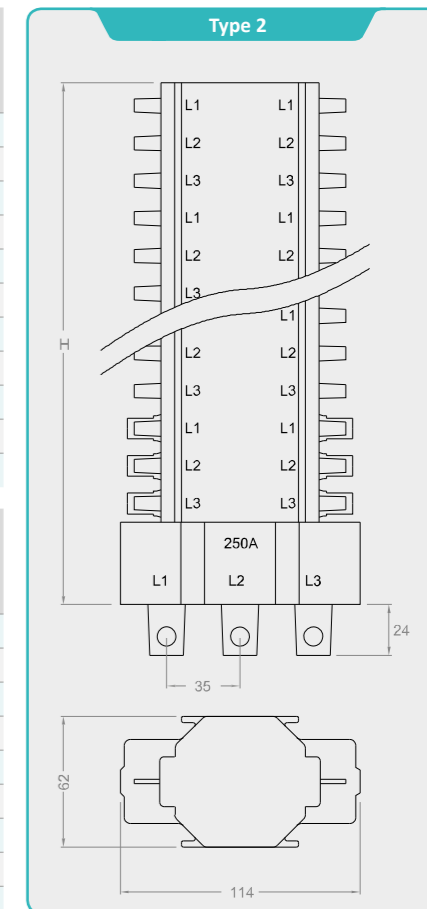
N Type Terminal



Incoming Current	Pole	Outgoing Terminal Centres	Way	Reference	H	Type	Mounting Kit Reference
A		mm			mm		
100	3	18	4	TT 04181	148	1	TT BK0418
			6	TT 06181	201	1	TT BK0618
			8	TT 08181	255	1	TT BK0818
			10	TT 10181	308	1	TT BK1018
			12	TT 12181	361	1	TT BK1218
			14	TT 14181	415	1	TT BK1418
			16	TT 16181	468	1	TT BK1618
			18	TT 18181	522	1	TT BK1818
			20	TT 20181	575	1	TT BK2018
			22	TT 22181	628	1	TT BK2218
			24	TT 24181	682	1	TT BK2418

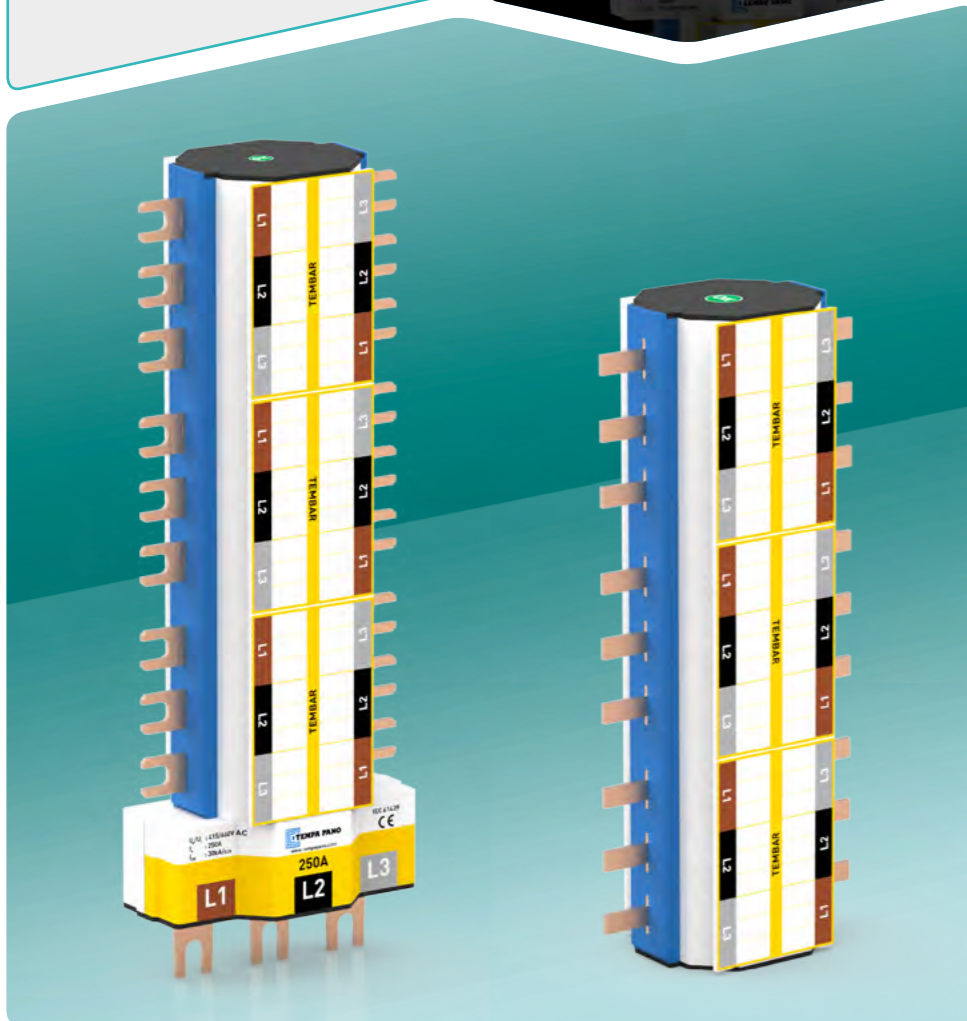
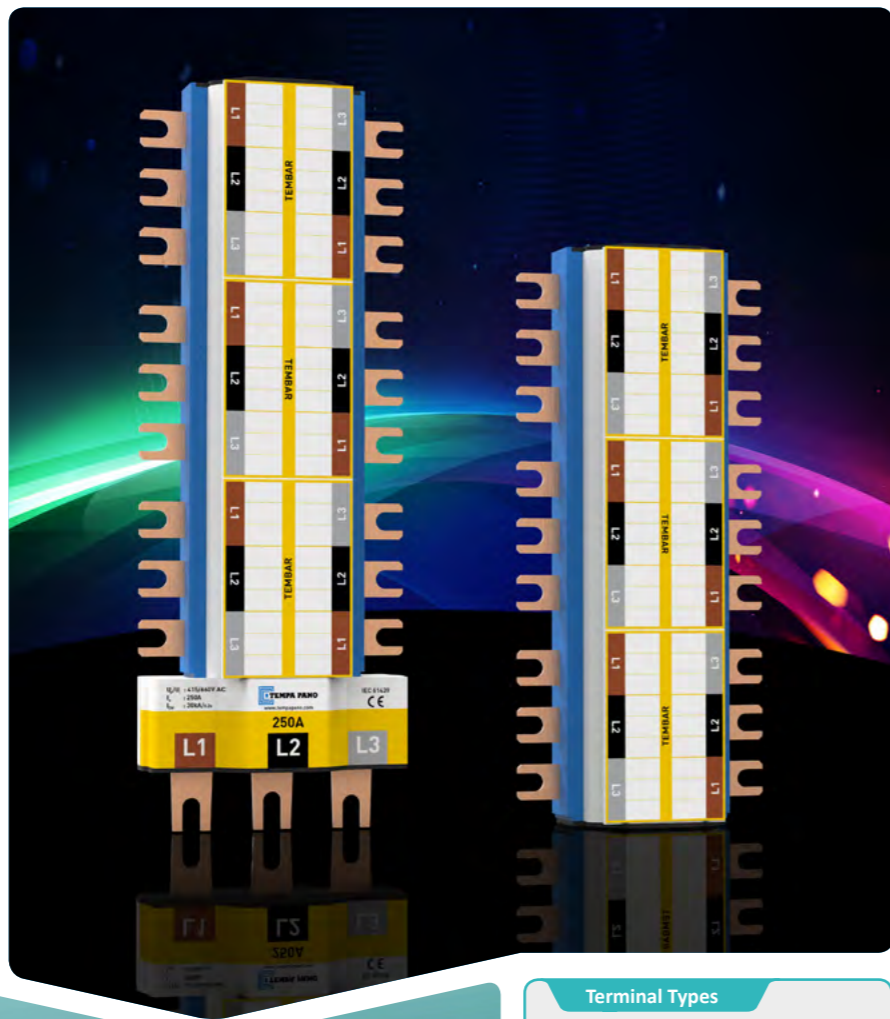
Incoming Current	Pole	Outgoing Terminal Centres	Way	Reference	H	Type	Mounting Kit Reference
A		mm			mm		
250	3	18	4	TT 04182	148	1	TT BK0418
			6	TT 06182	201	1	TT BK0618
			8	TT 08182	255	1	TT BK0818
			10	TT 10182	308	1	TT BK1018
			12	TT 12182	361	1	TT BK1218
			14	TT 14182	415	1	TT BK1418
			16	TT 16182	468	1	TT BK1618
			18	TT 18182	522	1	TT BK1818
			20	TT 20182	575	1	TT BK2018
			22	TT 22182	628	1	TT BK2218
			24	TT 24182	682	1	TT BK2418

Incoming Current	Pole	Outgoing Terminal Centres	Way	Reference	H	Type	Mounting Kit Reference
A		mm			mm		
63	3	18	4	TTS 04181	109	2	TTS BK0418
			6	TTS 06181	162	2	TTS BK0618
			8	TTS 08181	216	2	TTS BK0818
			10	TTS 10181	269	2	TTS BK1018
			12	TTS 12181	323	2	TTS BK1218
			14	TTS 14181	376	2	TTS BK1418
			16	TTS 16181	429	2	TTS BK1618
			18	TTS 18181	483	2	TTS BK1818
			20	TTS 20181	536	2	TTS BK2018
			22	TTS 22181	590	2	TTS BK2218
			24	TTS 24181	643	2	TTS BK2418



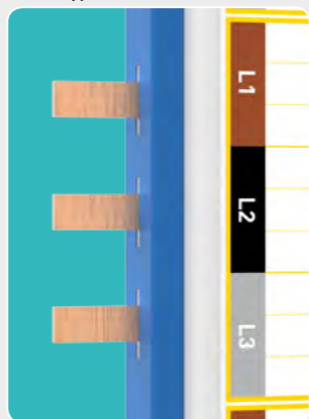
Characteristics

- Totally encapsulated, fully insulated 100A and 250A 415V_{AC} busbar system
- 100A and 250A system short circuit withstand is certified at 30 kA (conditional)
- Suitable for BSEN / EN / IEC 60439-1 form 1-4 switchboard construction
- One piece copper construction
- Maintenance free
- Colour coding for all connections as standard
- Shroud for spare / unused outgoing terminals
- Direct connection to the incoming MCCB terminals
- Designed to direct connection for most major manufacturers MCBs or MCCBs having outgoing terminal centres of 25mm
- Tin plated as standart

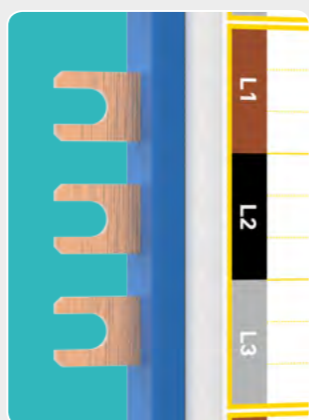


Terminal Types

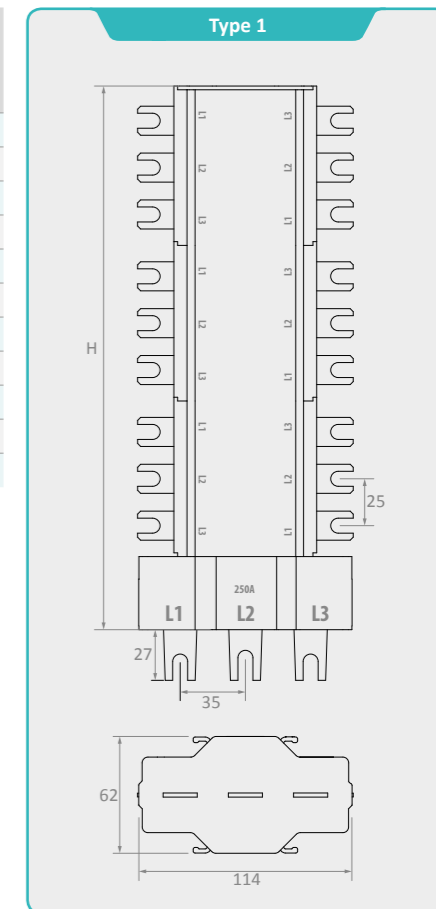
N Type Terminal



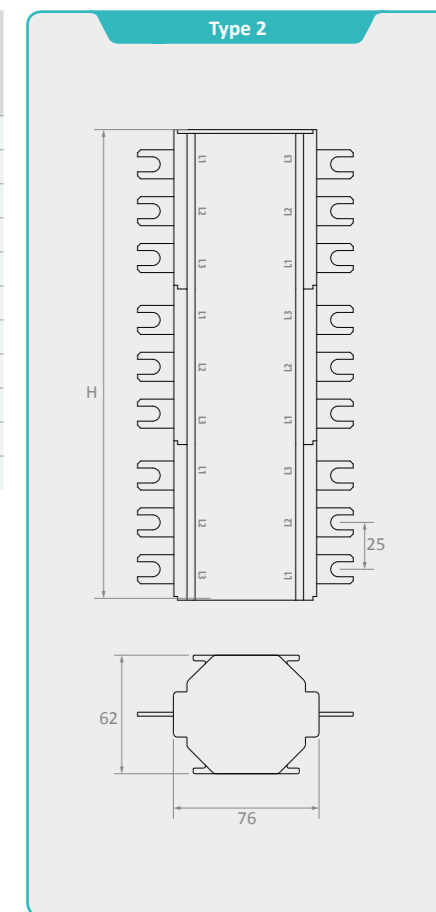
H Type Terminal



Incoming Current	Pole	Outgoing Terminal Centres	Way	Reference	H	Type	Mounting Kit Reference
A		mm			mm		
250	3	25	4	TT 04252	207	1	TT BK0425
			6	TT 06252	290	1	TT BK0625
			8	TT 08252	373	1	TT BK0825
			10	TT 10252	456	1	TT BK1025
			12	TT 12252	539	1	TT BK1225
			14	TT 14252	622	1	TT BK1425
			16	TT 16252	705	1	TT BK1625
			25	TT 25252	788	1	TT BK2525
			20	TT 20252	871	1	TT BK2025
			22	TT 22252	954	1	TT BK2225
			24	TT 24252	1037	1	TT BK2425

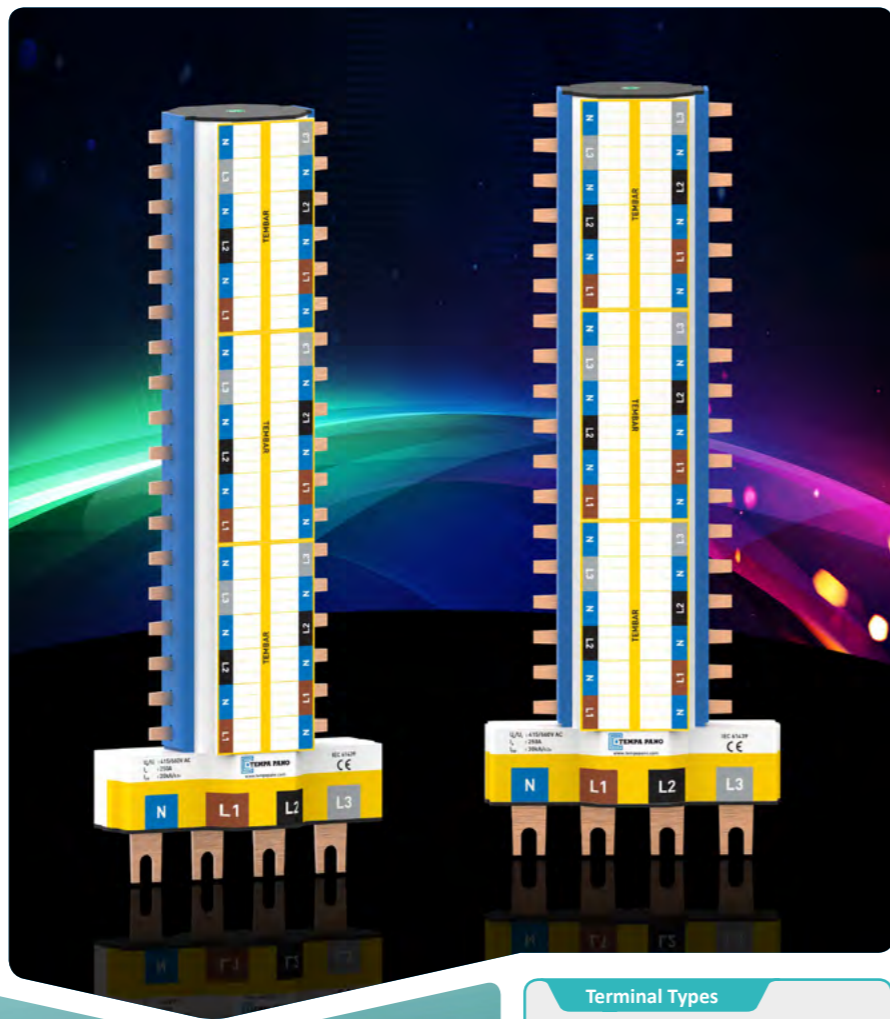


Incoming Current	Pole	Outgoing Terminal Centres	Way	Reference	H	Type	Mounting Kit Reference
A		mm			mm		
100	3	25	4	TTS 04251	168	2	TTS BK0425
			6	TTS 06251	251	2	TTS BK0625
			8	TTS 08251	334	2	TTS BK0825
			10	TTS 10251	417	2	TTS BK1025
			12	TTS 12251	500	2	TTS BK1225
			14	TTS 14251	583	2	TTS BK1425
			16	TTS 16251	666	2	TTS BK1625
			18	TTS 18251	749	2	TTS BK2525
			20	TTS 20251	832	2	TTS BK2025
			22	TTS 22251	915	2	TTS BK2225
			24	TTS 24251	998	2	TTS BK2425



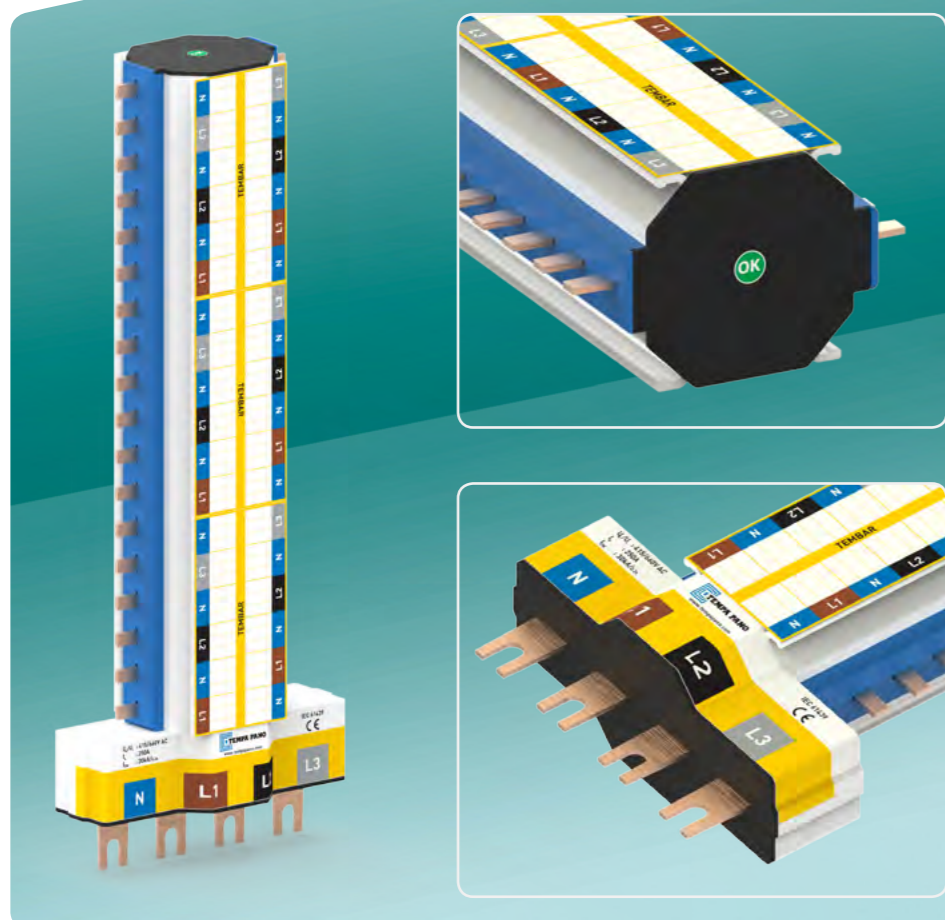
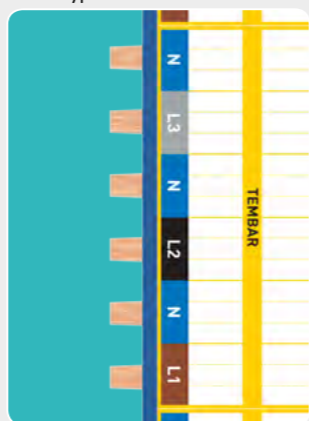
Characteristics

- Totally encapsulated, fully insulated 100A and 250A 415V_{AC} busbar system
- 100A and 250A system short circuit withstand is certified at 30 kA (conditional)
- Suitable for BSEN / EN / IEC 60439-1 form 1-4 switchboard construction
- One piece copper construction
- Maintenance free
- Colour coding for all connections as standard
- Shroud for spare / unused outgoing terminals
- Direct connection to the incoming 4P MCCB terminals
- Designed to direct connection for most major manufacturers MCBs having outgoing 1P+N terminal centres of 18mm
- Tin plated as standart



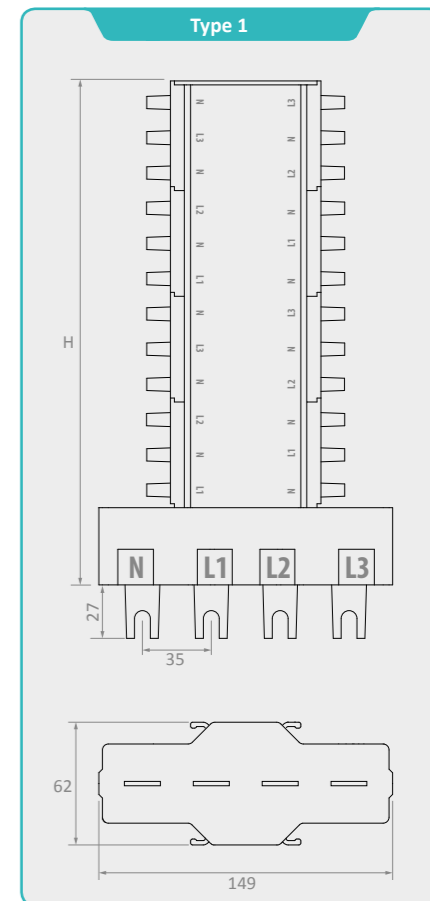
Terminal Types

N Type Terminal



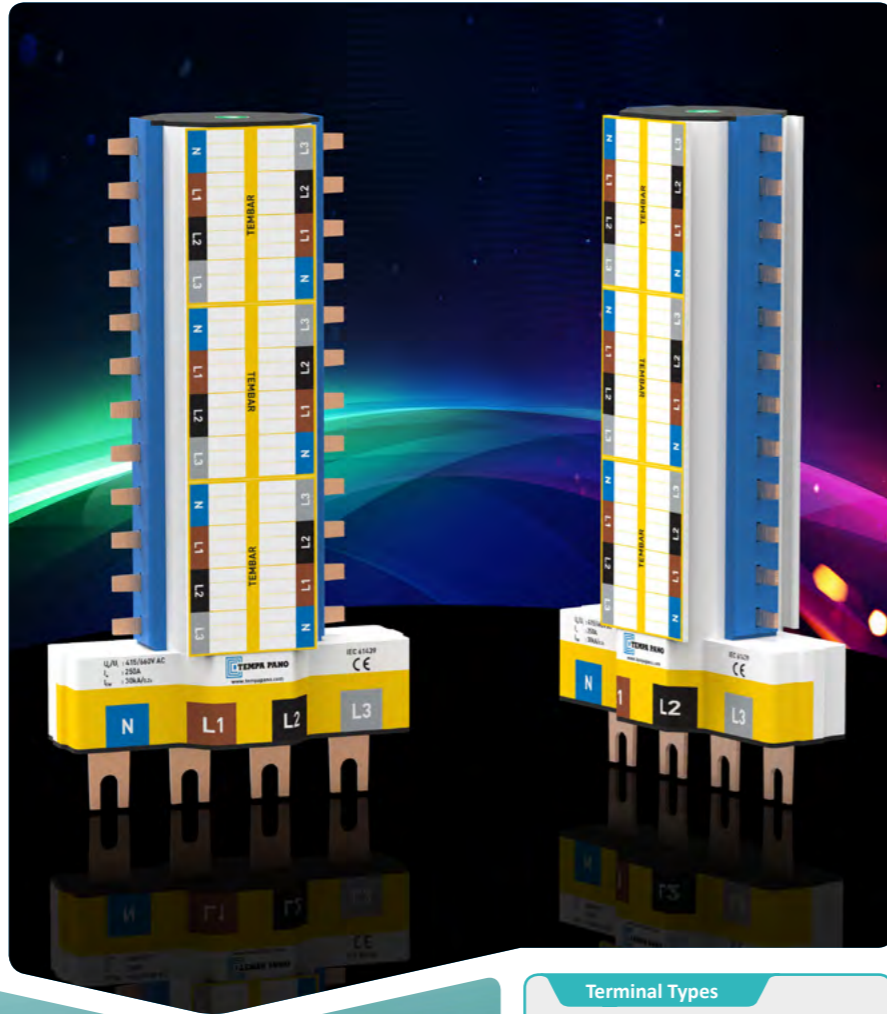
Incoming Current	Pole	Outgoing Terminal Centres	Way	Reference	H	Type	Mounting Kit Reference
A		mm			mm		
100	4P incoming 2P outgoing	18	6	TD 06 18 1	148	1	TD BK 06 18
			12	TD 12 18 1	255	1	TD BK 12 18
			18	TD 18 18 1	361	1	TD BK 18 18
			24	TD 24 18 1	468	1	TD BK 24 18
			30	TD 30 18 1	575	1	TD BK 30 18
36	TD 36 18 1	682	1	TD BK 36 18			
250	4P incoming 2P outgoing	18	6	TD 06 18 2	148	1	TD BK 06 18
			12	TD 12 18 2	255	1	TD BK 12 18
			18	TD 18 18 2	361	1	TD BK 18 18
			24	TD 24 18 2	468	1	TD BK 24 18
			30	TD 30 18 2	575	1	TD BK 30 18
32	TD 36 18 2	682	1	TD BK 36 18			

Type 1

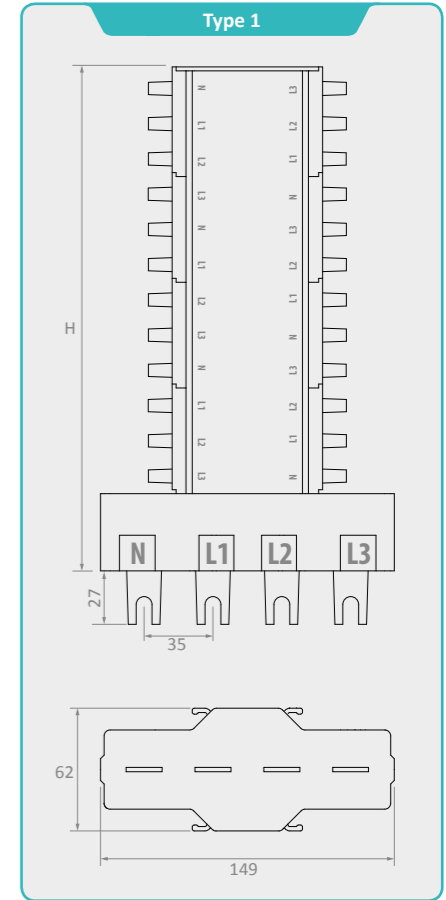


Characteristics

- Totally encapsulated, fully insulated 100A and 250A 415V_{AC} busbar system
- 100A and 250A system short circuit withstand is certified at 30 kA (conditional)
- Suitable for BSEN / EN / IEC 60439-1 form 1-4 switchboard construction
- One piece copper construction
- Maintenance free
- Colour coding for all connections as standard
- Shroud for spare / unused outgoing terminals
- Direct connection to the incoming 4P MCCB terminals
- Designed to direct connection for most major manufacturers MCBs having outgoing 3P+N terminal centres of 18mm
- Tin plated as standart

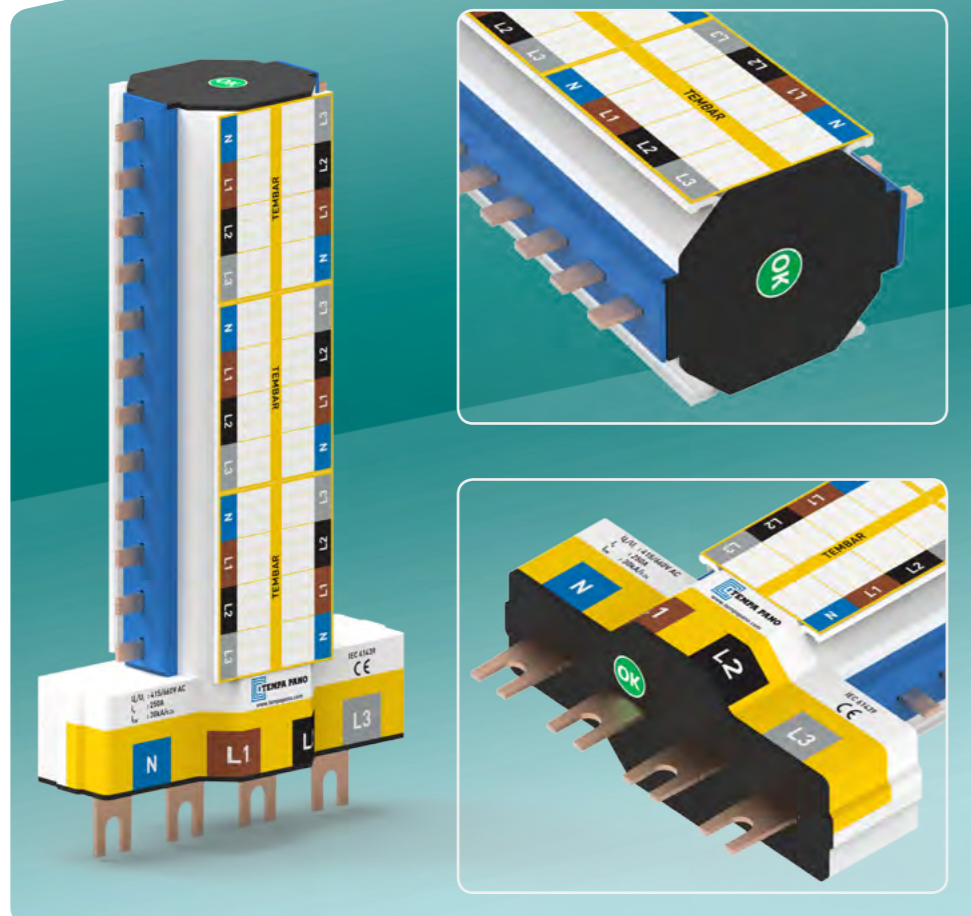
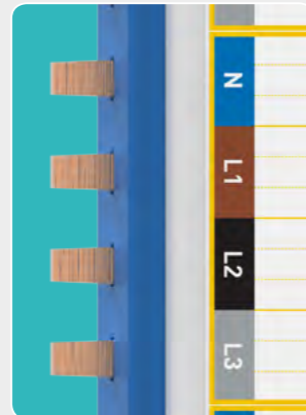


Incoming Current	Pole	Outgoing Terminal Centres	Way	Reference	H	Type	Mounting Kit Reference
A		mm			mm		
100	4P incoming 4P outgoing	18	6	TM 06 18 1	148	1	TM BK 06 18
			12	TM 12 18 1	255	1	TM BK 12 18
			18	TM 18 18 1	361	1	TM BK 18 18
			24	TM 24 18 1	468	1	TM BK 24 18
Incoming Current	Pole	Outgoing Terminal Centres	Way	Reference	H	Type	Mounting Kit Reference
A		mm			mm		
250	4P incoming 4P outgoing	18	6	TM 06 18 1	148	1	TM BK 06 18
			12	TM 12 18 1	255	1	TM BK 12 18
			18	TM 18 18 1	361	1	TM BK 18 18
			24	TM 24 18 1	468	1	TM BK 24 18



Terminal Types

N Type Terminal



Characteristics

- Busbar (TEMBAR series) installed enclosure for ready to assembly (without main switch)
- Earth and shrouded neutral terminals
- Adjustable fixing parts for most major manufacturers standard (2A to 63A) MCB's
- Sheet steel enclosure, door and cover
- Built-In design
- Foamed-in door PU sealing gasket
- Top and bottom gland plates
- 120° concealed hinges
- Door can be left or right handed
- Colour coding for all connections as standard
- RAL7035w powder coating

On Request

- Special colour
- Special mounting plate
- Special sizes
- Glazed door
- Pre-punching



Incoming Current	Pole	Outgoing Terminal Centres	Way	Reference	Width	Height	Depth
					A	B	C
A		mm			mm	mm	mm
250	2	18	6	TDK A 01 2P 06 18	420	620	150
	2		12	TDK A 01 2P 12 18			
	3		6	TDK A 01 3P 06 18			
	3		8	TDK A 01 3P 08 18			
250	4	18	6	TDK A 01 4P 06 18	420	735	150
	2		18	TDK A 02 2P 18 18			
	3		10	TDK A 02 3P 10 18			
	3		12	TDK A 02 3P 12 18			
250	2	18	24	TDK A 03 2P 24 18	420	820	150
	3		14	TDK A 03 3P 14 18			
	3		16	TDK A 03 3P 16 18			
	4		12	TDK A 03 4P 12 18			
250	2	18	30	TDK A 04 2P 30 18	420	920	150
	3		18	TDK A 04 3P 18 18			
	3		20	TDK A 04 3P 20 18			
250	2	18	36	TDK A 05 2P 36 18	420	1020	150
	3		22	TDK A 05 3P 22 18			
	3		24	TDK A 05 3P 24 18			
	4		18	TDK A 05 4P 18 18			

Characteristics

- Busbar (TEMBAR series) installed enclosure for ready to assembly (without main switch)
- Earth and shrouded neutral terminals
- Adjustable fixing parts for most major manufacturers standard (2A to 63A) MCB's
- Sheet steel enclosure, door and cover
- Built-in design
- Foamed-in door PU sealing gasket
- Top and bottom gland plates
- 155° concealed hinges
- Door can be left or right handed
- Colour coding for all connections as standard
- RAL7035w powder coating

On Request

- Special colour
- Special mounting plate
- Special sizes
- Glazed door
- Pre-punching



Incoming Current	Pole	Outgoing Terminal Centres	Way	Reference	Width	Height	Depth
					A	B	C
A		mm			mm	mm	mm
250	2	18	6	TDK S 01 2P 06 18	420	655	150
	2		12	TDK S 01 2P 12 18			
	3		6	TDK S 01 3P 06 18			
	3		8	TDK S 01 3P 08 18			
250	4	18	6	TDK S 01 4P 06 18	420	755	150
	2		18	TDK S 02 2P 18 18			
	3		10	TDK S 02 3P 10 18			
	3		12	TDK S 02 3P 12 18			
250	2	18	24	TDK S 03 2P 24 18	420	855	150
	3		14	TDK S 03 3P 14 18			
	3		16	TDK S 03 3P 16 18			
	4		12	TDK S 03 4P 12 18			
250	2	18	30	TDK S 04 2P 30 18	420	955	150
	3		18	TDK S 04 3P 18 18			
	3		20	TDK S 04 3P 20 18			
250	2	18	36	TDK S 05 2P 36 18	420	1055	150
	3		22	TDK S 05 3P 22 18			
	3		24	TDK S 05 3P 24 18			
	4		18	TDK S 05 4P 18 18			

Characteristics

Material

- Sheet steel (EN 10130 DC01)
 - Body : 1.2 mm
 - Cover : 1.2 mm
- Galvanized steel (EN 10346 DX51D+Z)
 - Mounting plate : 1.5 mm

Surface Finishing

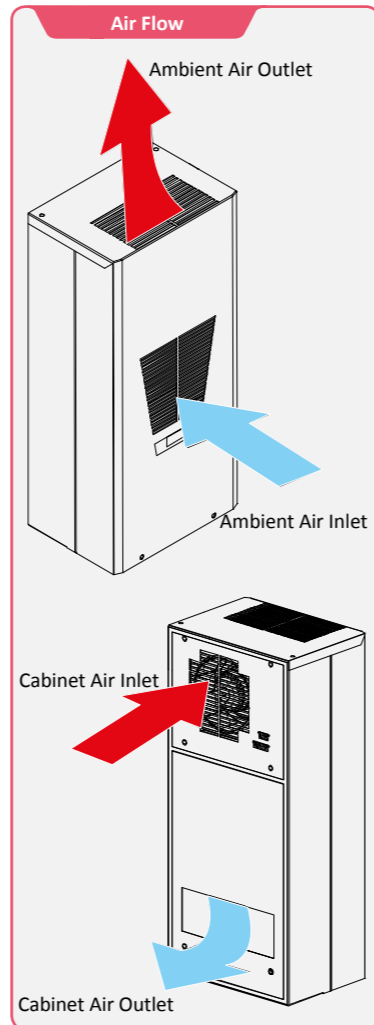
- RAL7035w Powder coating

Protection Degree

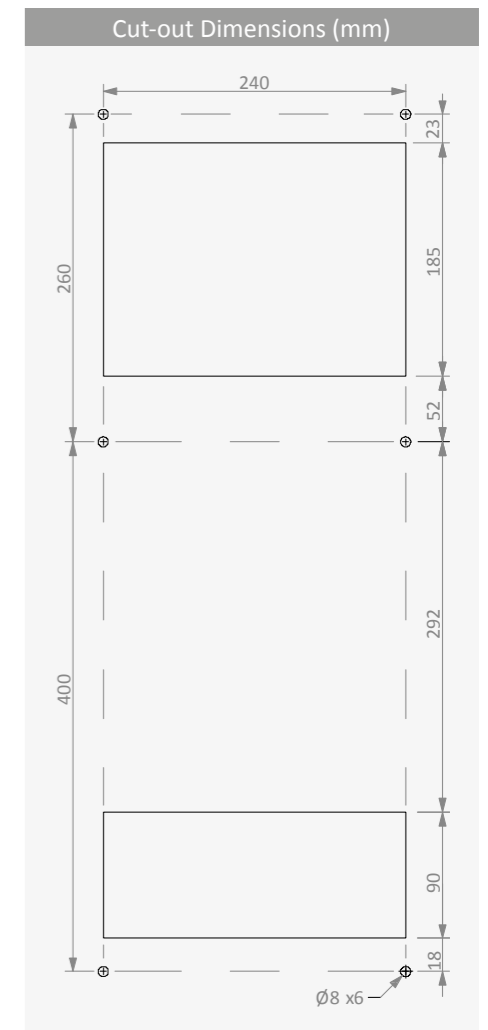
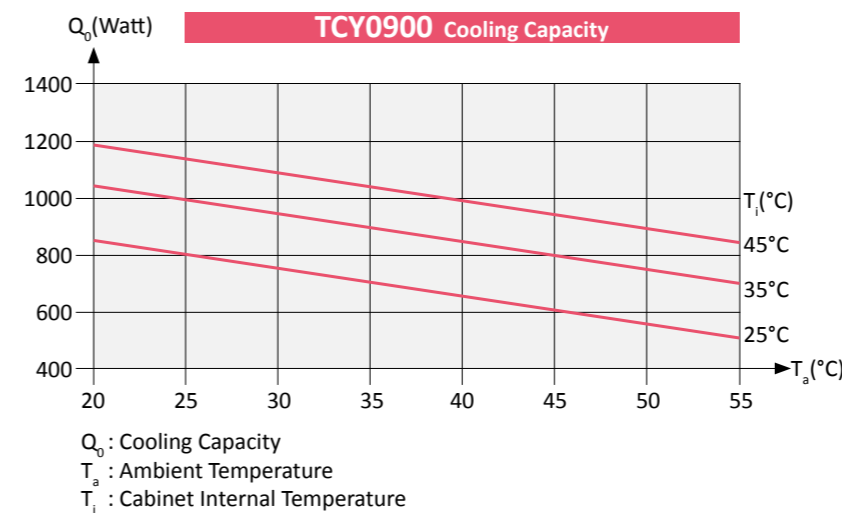
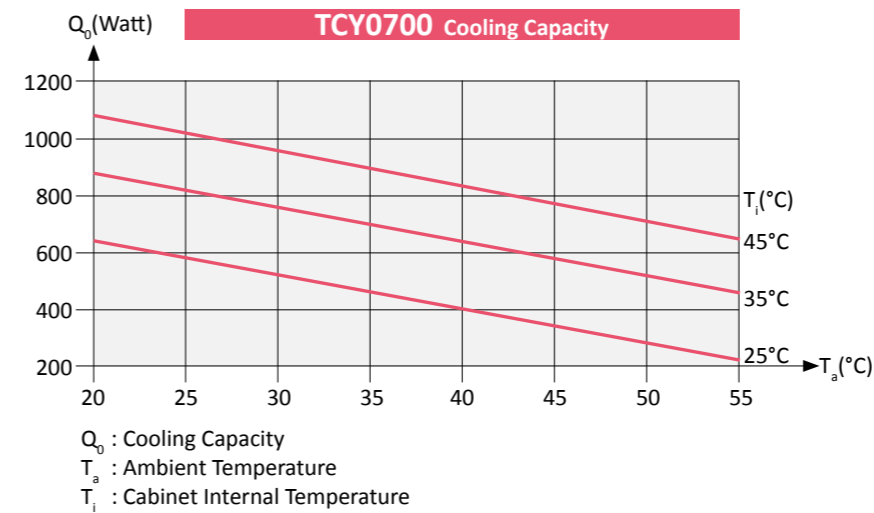
- IP54 (TS 3033, EN 60529)

Others

- Digital control unit
- Programmable door and alarm output contact
- Two different power in same size/cut-out
- Large fin space for minimum dust accumulation
- Fast and easy installation
- Condensate drain output
- Maximum air inlet-outlet distance in cabinet side for optimum cooling performance
- Optional easy fixing ambient side dust filter kit
- Stainless steel versions on request



		TCY0700	TCY0900
Cooling Capacity (EN 14511)	L35 / L35	700 W	900 W
	L35 / L50	520 W	740 W
Voltage - Phase - Frequency		230 V 1~ 50 Hz	
Power Consumption	L35 / L35	390 W	530 W
Maximum Running Current	L35 / L50	2.5 A	3.5 A
Starting Current		17 A	21 A
Unimpeded Air Flow (Internal - External)		650 m³/h - 650 m³/h	
Control Type		Digital, door switch and alarm output	
Cabinet Temperature Limits		20°C - 45°C	
Ambient Temperature Limits		20°C - 55°C	
Refrigerant Type		R 134a	
Refrigerant Amount		240 g	350 g
Dimensions (Width/Height/Depth)		337mm / 742mm / 242mm	
Weight		30 kg	35 kg
Protection Degree (TS 3033, EN 60529)	Cabinet Side	IP 54	
	Ambient Side	IP 34	
Unit Construction		RAL 7035 Electrostatic Powder Coated Sheet Steel (optional Stainless) and Galvanized Sheet Steel	



Characteristics

Material

- Sheet steel (EN 10130 DC01)
- Body : 1.2 mm
- Cover : 1.2 mm
- Galvanized steel (EN 10346 DX51D+Z)
- Mounting plate : 1.5 mm

Surface Finishing

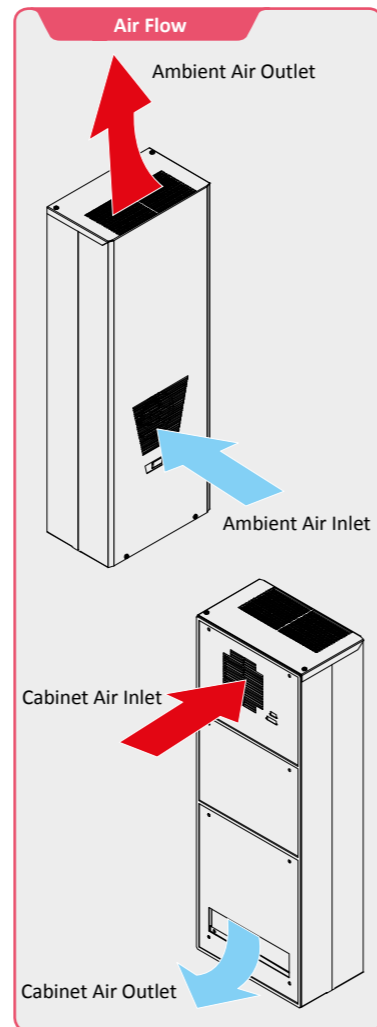
- RAL7035w Powder coating

Protection Degree

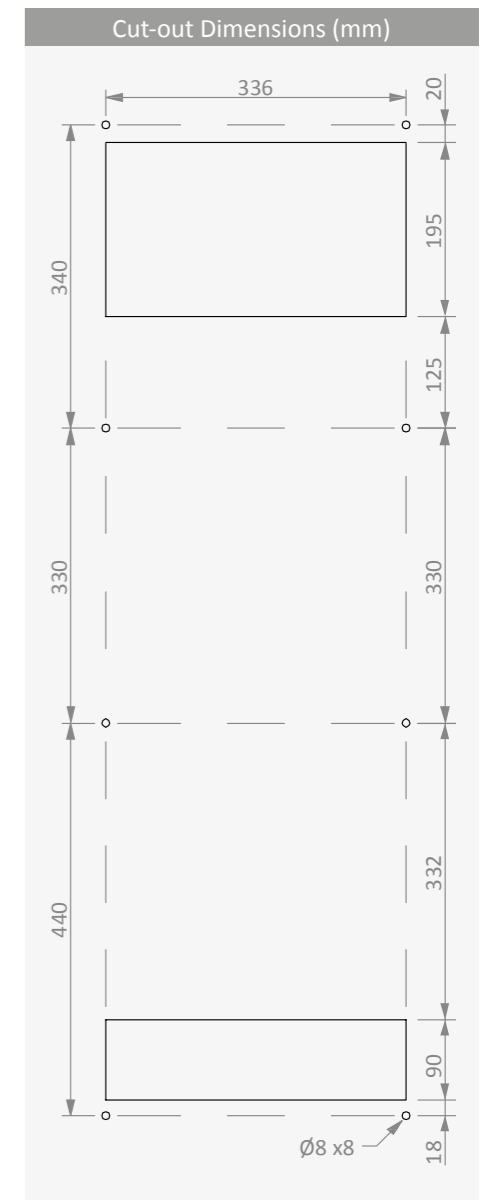
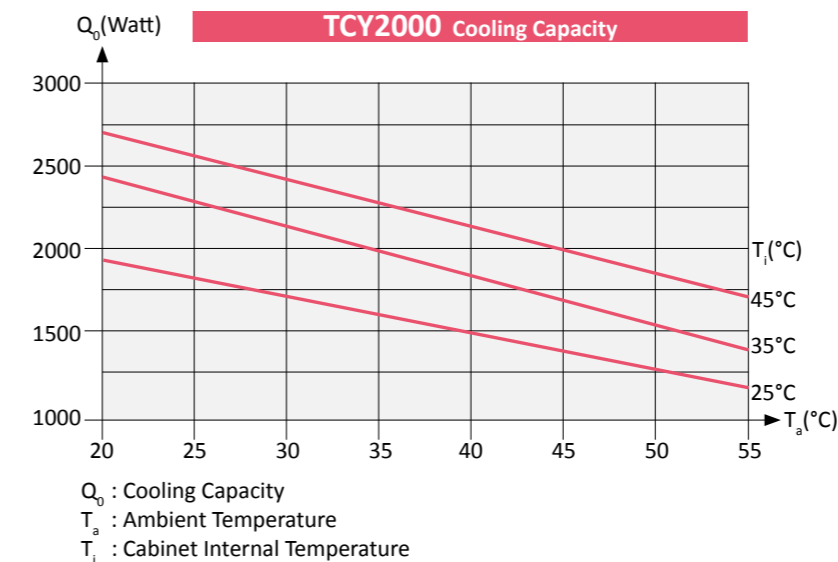
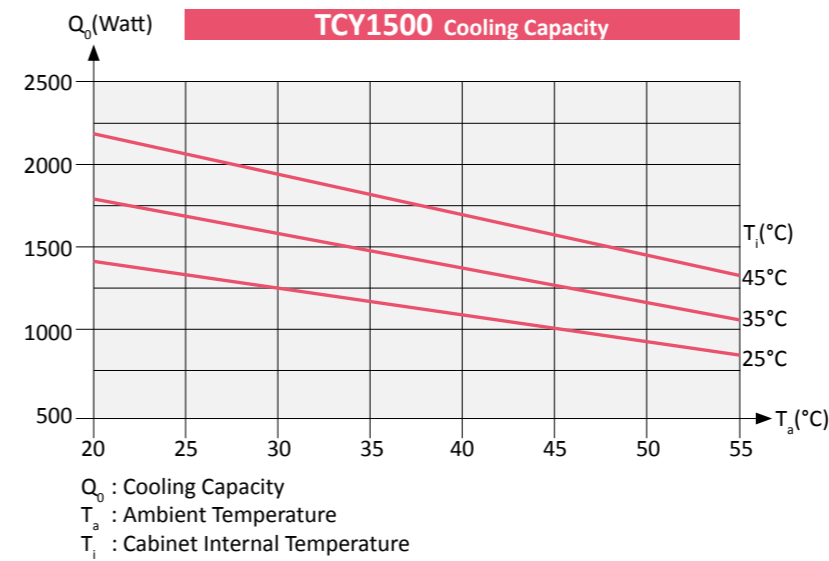
- IP54 (TS 3033, EN 60529)

Others

- Digital control unit
- Programmable door and alarm output contact
- Two different power in same size/cut-out
- Large fin space for minimum dust accumulation
- Fast and easy installation
- Condensate drain output
- Maximum air inlet-outlet distance in cabinet side for optimum cooling performance
- Optional easy fixing ambient side dust filter kit
- Stainless steel versions on request



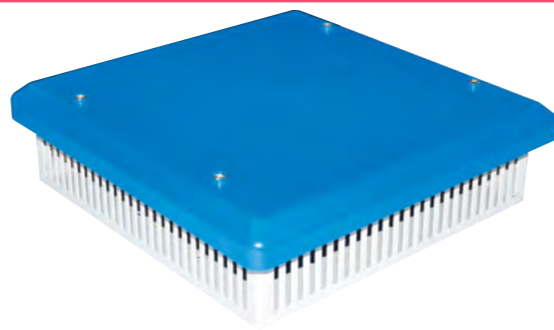
		TCY1500	TCY2000
Cooling Capacity (EN 14511)	L35 / L35	1500 W	2000 W
	L35 / L50	1200 W	1550 W
Voltage - Phase - Frequency		230 V 1~ 50 Hz	
Power Consumption	L35 / L35	860 W	1070 W
Maximum Running Current	L35 / L50	5.7 A	6.5 A
Starting Current		22 A	22 A
Unimpeded Air Flow (Internal - External)		850 m³/h - 850 m³/h	
Control Type		Digital , door switch and alarm output	
Cabinet Temperature Limits		20°C - 45°C	
Ambient Temperature Limits		20°C - 55°C	
Refrigerant Type		R 134a	
Refrigerant Amount		400 g	600 g
Dimensions (Width/Height/Depth)		436mm / 1200mm / 266mm	
Weight		51 kg	59 kg
Protection Degree (TS 3033, EN 60529)	Cabinet Side	IP 54	
	Ambient Side	IP 34	
Unit Construction		RAL 7035 Electrostatic Powder Coated Sheet Steel (optional Stainless) and Galvanized Sheet Steel	



Roof-Mounted Fan Units

Reference No	Dimensions		Air Flow *	Voltage	Freq.	Power	Noise Level
	H x W x D						
	mm		m ³ /h	V _{AC}	Hz	W	dB(A)
FFTP TF011	100 x 350 x 350		650	230	50	65	68
FFTP TF021	100 x 350 x 350		860	230	50	100	73

* Unimpeded air flow / Colour: RAL7035w



19" Rack Mounted Fan Units

Reference No	Height *	Number of Fans
PEC FR1031	1 U	3
PEC FR1061	1 U	6

* 1U: 44.45 mm / Colour: RAL7035w



Fan Filters

Reference No	Dimensions		Installation Cut-out	Air Flow *	Voltage	Freq.	Power	Protection Degree	Noise Level
	H x W x D								
	mm		mm	m ³ /h	V _{AC}	Hz	W	EN 60529	dB(A)
FFTPTF 1000	105 x 105 x 56		92 x 92	38/22	230/115	50 / 60	12 / 9	IP43	31/37
FFTPTF 2000	150 x 150 x 76		125 x 125	160/107	230/115	50 / 60	19/14	IP54	34/37
FFTPTF 3000	250 x 250 x 127		223 x 223	460/325	230/115	50 / 60	41/38	IP54	55/57
FFTPTF 5000	325 x 325 x 163		291 x 291	925/637	230/115	50 / 60	65/75	IP54	59/61
FFTPTF 6000	325 x 325 x 164		291 x 291	1860/1395	230/115	50 / 60	110/145	IP54	69/70

Colour: RAL7035w / Protection Degree: IP55 on request

* Unimpeded air flow / Air flow in combination (Filter fan + Exhaust filter)

Filters

Reference No	Dimensions		Installation Cut-out	Filter Mat	Protection Degree
	H x W x D				
	mm		mm	g/m ²	
FFTPFA 1000	105 x 105 x 14		92 x 92	150	IP43
FFTPFA 2000	150 x 150 x 31		125 x 125	150	IP54
FFTPFA 3000	250 x 250 x 36		223 x 223	150	IP54
FFTPFA 6000	325 x 325 x 36		291 x 291	150	IP54

Colour: RAL7035w / Protection Degree: IP55 on request



Heaters

Reference No	Dimensions		Heating Capacity	Voltage	Freq.	Connection	Protection Degree
	H x W x D						
	mm		W	V	Hz		
IS TP THK 15	60x50x27		15	100-250V AC-DC	50	Cable	IP20
IS TP THK 25	70x50x27		25	100-250V AC-DC	50	Cable	IP20



Reference No	Dimensions		Heating Capacity	Voltage	Freq.	Connection	Protection Degree
	H x W x D						
	mm		W	V	Hz		
IS TP TH 30	128x70x59		30	100-250V AC-DC	50	Terminal	IP20
IS TP TH 50	138x70x59		50	100-250V AC-DC	50	Terminal	IP20
IS TP TH 75	178x70x59		75	100-250V AC-DC	50	Terminal	IP20
IS TP TH 100	188x70x59		100	100-250V AC-DC	50	Terminal	IP20
IS TP TH 150	228x70x59		150	100-250V AC-DC	50	Terminal	IP20



Fan Heater

Reference No	Dimensions		Heating Capacity	Voltage	Freq.	Connection	Protection Degree
	H x W x D						
	mm		W	V _{AC}	Hz		
IS TP TFH 100-PTC	170x89x60		100	230	50/60	Terminal	IP20
IS TP TFH 150-PTC	210x89x60		150	230	50/60	Terminal	IP20
IS TP TFH 250	152x110x80		250	230	50/60	Terminal	IP20
IS TP TFH 500	182x110x80		500	230	50/60	Terminal	IP20
IS TP TFH 750	232x110x80		750	230	50/60	Terminal	IP20



Thermostats and Hygrostats

Reference No	Type	Dimensions		Setting Range	Max. Switching Capacity 250 V _{AC} (Resistive Load)	Contact
		H x W x D				
		mm		V _{AC}		
TEKTO 1140	Thermostat	60 x 43 x 33		0 - 60 °C	10 A	1 NC
TEKTS 1141	Thermostat	60 x 43 x 33		0 - 60 °C	10 A	1 NO
TEZR 011	Thermostat	67 x 50 x 46		0 - 60 °C	10 A	1 CO
TEFZK 011	Thermostat	67 x 50 x 38		5 - 60 °C	10 A	1 CO
TEMFR 012	Hygrostat	67 x 50 x 38		35 - 95 % RH	5 A	1 CO
TEETF 012	Thermostat + Hygrostat	77 x 60 x 43		0 - 60 °C 35 - 95% RH	8 A	1 CO



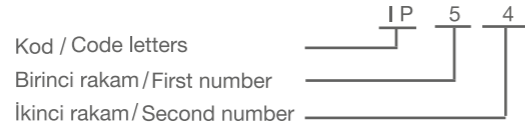
Lighting

Reference No	Rated Voltage	Power Consumption	Lamp Type	Switch	Socket	Connection	Mounting
LM AR ST KL 025	220V _{AC}	11 W	Fluorescent	on/off light switch	16A Schuko	3P Terminal	Magnet
LM AR ST LED 025	220V _{AC}	5 W	LED- Light Color	on/off light switch	-	2P Connector	Magnet
LM AR S 00 11 130	220V _{AC}	10 W	LED- Light Color	on/off light switch	2x16A Schuko	3P Terminal	Screw
LM AR S 00 11 131	220V _{AC}	10 W	LED- Light Color	on/off light switch	-	3P Terminal	Screw
LM AR S 00 11 135	220V _{AC}	6 W	LED- Light Color	sensor	-	2P Connector	Magnet
LM AR S 00 11 136	220V _{AC}	6 W	LED- Light Color	on/off light switch	-	2P Connector	Screw
LM AR S 00 11 140	220V _{AC}	11 W	LED- Light Color	on/off light switch	2x16A Schuko	3P Terminal	Magnet
LM AR S 00 11 141	220V _{AC}	11 W	LED- Light Color	on/off light switch	-	3P Terminal	Magnet



TEKNİK BİLGİLER / TECHNICAL APPENDIX

IP Koruma Sınıfı tanımlaması / Definition of IP Protection Degrees (IEC 529 / EN 60 529)



Katı cisimlere karşı koruma Protection against solid objects	
Birinci Rakam First Number	Tanımlama / Description
0	Koruma yok. No protection.
1	50 mm'den büyük cisimlere karşı koruma. Protected against solid objects; diameter ≥ 50mm.
2	12.5 mm'den büyük cisimlere karşı koruma. Protected against solid objects; diameter ≥ 12.5mm.
3	2.5 mm'den büyük cisimlere karşı koruma. Protected against solid objects; diameter ≥ 2.5mm.
4	1 mm'den büyük cisimlere karşı koruma. Protected against solid objects; diameter ≥ 1mm.
5	Toza karşı koruma (Zararsız hafif toz geçişi olabilir). Protected against dust (harmless amount permitted).
6	Toza karşı tam koruma. Completely protected against dust.

Sıvılara karşı koruma Protection against liquids	
İkinci Rakam Second Number	Tanımlama / Description
0	Koruma yok. No protection.
1	Düşey gelen su damlalarına karşı koruma. Protected against vertically dripping water.
2	Düşeyden 15° lik açıyla gelen su damlalarına karşı koruma. Protected against 15° (angle from the vertical) dripping water.
3	Düşeyden 60° lik açıyla gelen püskürtmeli su damlalarına karşı koruma. Protected against 60° (angle from the vertical) sprays of water.
4	Her yönden gelen püskürtmeli su damlalarına karşı koruma. Protected against every direction of sprayed water.
5	Her yönden gelen düşük basınçlı suya karşı koruma (Zararsız çok az su geçişi olabilir). Protected against low pressure water jets from all directions (harmless amount permitted).
6	Her yönden gelen basınçlı suya karşı koruma (Zararsız çok az su geçişi olabilir). Protected against strong water jets from all directions (harmless amount permitted).
7	Temporary protected against immersion in water (water must not penetrate in harmful quantity at described period). Geçici süre suya daldırmaya karşı koruma.
8	Uzun süre derin suda beklemeye karşı koruma. Protected against under pressure, long periods of immersion in water.

TEKNİK BİLGİLER / TECHNICAL APPENDIX

Dikdörtgen kesitli bakır baraların akım taşıma kapasiteleri Permissible loading of copper main busbars and section busbars of rectangular cross-section

35°C ortam sıcaklığı, 30°C sıcaklık yükselmesi için / 35°C ambient temperature, 30°C temperature rise

En x Kalınlık Width x Thickness (mm x mm)	Bara Kesiti Cross Section (mm ²)	Ağırlık Weight (kg/m)	Akım Taşıma Kapasitesi [A] 50 Hz / Permissible Loading [A] with 50 Hz							
			Bara Adedi (Boyalı) / Number of Bars (Painted)				Bara Adedi (Çıplak) / Number of Bars (Bare)			
			I	II	III	IV	I	II	III	IV
12 x 2	24	0.21	125	250	---	---	110	220	---	---
15 x 2	30	0.27	155	270	---	---	140	240	---	---
15 x 3	45	0.40	185	330	---	---	170	300	---	---
20 x 2	40	0.36	205	350	---	---	185	315	---	---
20 x 3	60	0.54	245	425	---	---	220	380	---	---
20 x 5	100	0.89	325	550	---	---	290	495	---	---
25 x 3	75	0.67	300	510	---	---	270	460	---	---
25 x 5	125	1.12	385	670	---	---	350	600	---	---
30 x 3	90	0.80	350	600	---	---	315	540	---	---
30 x 5	150	1.34	450	780	---	---	400	700	---	---
40 x 3	120	1.07	460	780	---	---	420	710	---	---
40 x 5	200	1.78	600	1000	---	---	520	900	---	---
40 x 10	400	3.56	835	1500	2060	2800	750	1350	1850	2500
50 x 5	250	2.23	720	1200	1750	2300	630	1100	1500	2100
50 x 10	500	4.45	1025	1800	2450	3330	920	1620	2200	3000
60 x 5	300	2.67	825	1400	1980	2650	750	1300	1800	2400
60 x 10	600	5.34	1200	2100	2800	3800	1100	1860	2500	3400
80 x 5	400	3.56	1060	1800	2450	3300	950	1650	2200	2900
80 x 10	800	7.12	1540	2600	3300	4600	1400	2300	3100	4200
100 x 5	500	4.45	1310	2200	2950	3800	1100	2000	2600	3400
100 x 10	1000	8.90	1880	3100	4000	5400	1700	2700	3600	4800
120 x 10	1200	10.68	2200	3500	4600	6100	2000	3200	4200	5500
160 x 10	1600	14.24	2880	4400	5800	7800	2600	3900	5200	7000

Flexible bakır bara akım taşıma kapasitesi (A) / Flexible busbars current-carrying capacity (A)

Ortam sıcaklığının 20°C olması durumunda / ambient temperature up to 20°C

Genişlik Width (G) mm	Kalınlık Thickness (K) mm	Bakır Levha Sayısı Number of copper(N)	Kesit Cross section (mm ²)	20°C	30°C	40°C	50°C	60°C	70°C	80°C	Bakır Ağırlığı Copper Weight (kg/m)	Brüt Ağırlık Gross Weight (kg/m)
15,5	0,8	2	24,8	102	128	149	167	183	197	209	0,221	0,278
15,5	0,8	3	37,2	143	179	208	233	255	274	291	0,331	0,391
20	1	2	40	172	215	250	280	306	329	350	0,356	0,427
20	1	3	60	222	278	324	363	397	427	453	0,534	0,607
24	1	4	96	288	360	420	470	514	553	587	0,854	0,941
32	1	5	160	397	496	578	648	708	762	809	1,424	1,536
40	1	6	240	530	663	773	866	947	1,018	1,081	2,136	2,272
40	1	8	320	642	803	936	1,048	1,146	1,233	1,309	2,848	2,969
40	1	10	400	728	911	1,061	1,189	1,300	1,397	1,484	3,560	3,707
50	1	5	250	572	716	834	934	1,021	1,098	1,167	2,225	2,385
50	1	10	500	860	1,076	1,253	1,404	1,535	1,651	1,754	4,450	4,624
63	1	10	630	990	1,239	1,443	1,617	1,768	1,901	2,019	5,607	5,816
100	1	10	1000	1226	1533	1,786	2,001	2,188	2,353	2,499	8,900	9,210

TECHNICAL APPENDIX

Information and Calculating the problem of temperature inside the cabinet

The problem of temperature inside the cabinet can be correctly solved only by understanding the factors that contribute to the phenomenon.

- ti** : [°C] ; maximum temperature acceptable inside the cabinet,
- te** : [°C] ; maximum room temperature reachable outside the cabinet,
- Δt** : [°C] ; **Δt = ti - te** ; difference of temperature between the inside and outside of the cabinet,
- S** : [m²] ; free cabinet surface,
- Pti** : [W] ; quantity of heat dissipated in the cabinet by components,
- Pte** : [W] ; quantity of heat dissipated or absorbed by cabinet surface,
- Pt** : [W] ; **Pt = Pti ± Pte** ; total power to dissipate.

Natural dissipation :

Natural dissipation exist when the two exchanging fluids have a temperature difference. For cabinet, this exchange happens by cabinet surface, when internal temperature is different from the external cabinet temperature is higher than ambient, the heat internally generated will be dissipated outside. If cabinet temperature will be lower than ambient, the heat internally generated will increase by heat absorbed from outside. The quantity of heat dissipated or absorbed by cabinet surface, could be calculated by this formula:

$$Pte = S \times \Delta t \times 5.5 \quad [W] \quad (\text{for sheet steel cabinets})$$

If **ti > te** and **Pti ≤ Pte** , possible solution with natural dissipation by cabinet surface.

Removal of heat by 'grill and fans' :

When the inner air pushed out by fans, the amount of heat removed from cabinet, could be approximately calculated by this formula:

$$Pt = \Delta t \times V \times 0.348 \quad [W]$$

V = [m³/h], effective air flow crossing the cabinet; the value depends on number of grills, quantity of components in the cabinet and condition of the filters.

If **ti > te**, **IP < 54** and **Pt ≥ Pti - Pte** ; possible solution with grill and fans.

Removal of heat by 'air to air exchanger' :

Air to air exchanger uses same concept like natural dissipation, the effect is similar to an increasing of cabinet surface. The thermal exchange capacity could be calculated by this formula:

$$Pt = spf \times \Delta t \quad [W]$$

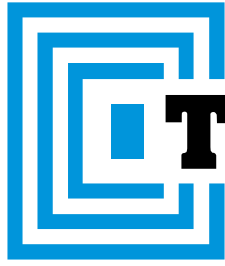
spf = [W/°K], specific thermal coefficient of 'air to air exchanger'

If **ti > te**, **IP ≥ 54** and **Pt ≥ Pti - Pte** ; possible solution with 'air to air exchanger'.

Removal of heat by 'air conditioner' or 'air to water exchanger' :

For the cabinet with the protection IP54 or higher and if **ti ≤ te** , available cooling systems are 'air conditioner' or 'air to water exchanger'. In this case the needed cooling capacity will be **Pt = Pti + Pte**. The cooling power of 'air conditioner' varies according to the room temperature. The declared values are at L35L35 (inside 35°C, outside 35°C) and L35L50 (inside 35°C, outside 50°C) according to DIN 3168 standards. The cooling power of 'air to water exchanger' is independent of the room temperature and their performance graph depends on the water temperature.

	cabinet IP < 54	cabinet IP ≥ 54
ti > te	Pt = Pti - Pte * Natural dissipation or ventilation system.	Pt = Pti - Pte * Air to air exchanger * Air conditioner * Air to water exchanger
ti = te	-----	Pt = Pti * Air conditioner * Air to water exchanger
ti < te	-----	Pt = Pti + Pte * Air conditioner * Air to water exchanger



TEMPA PANO

Enclosures engineered...



“your reliable
solution partner,”

